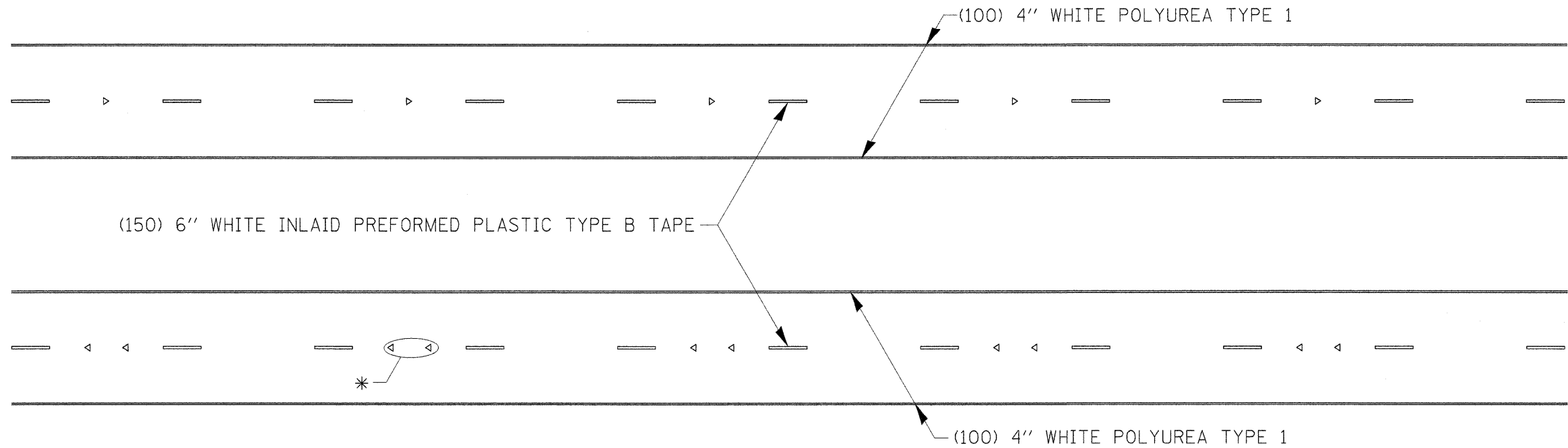
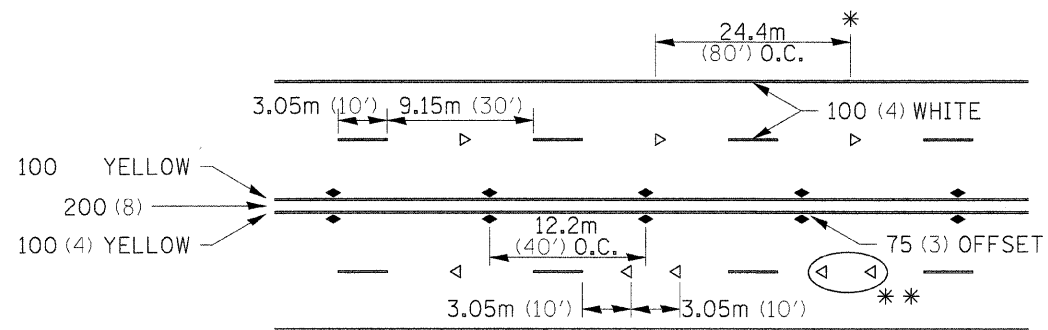


TYPICAL PAVEMENT MARKINGS



* SEE HIGHWAY STANDARD 781001 FOR SPACING DETAILS.
USE DOUBLE MARKERS WHEN ADT \geq 25,000.

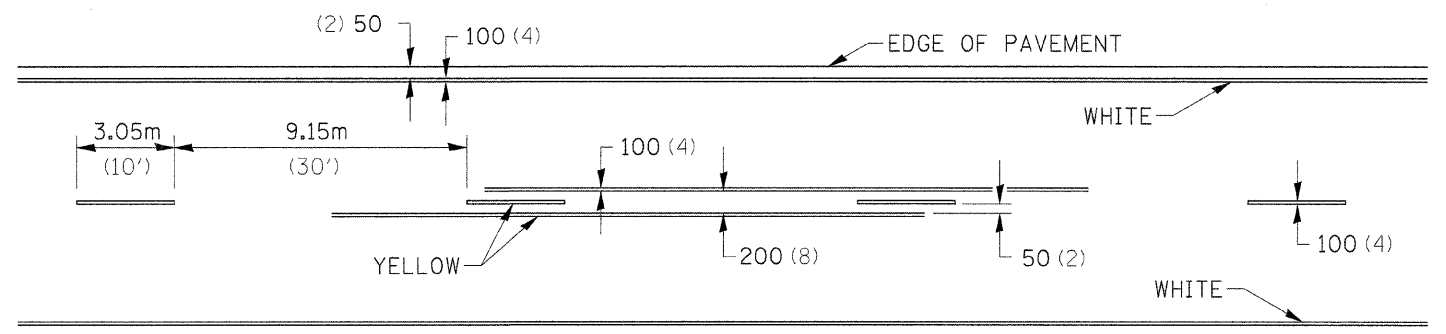
MULTI-LANE / DIVIDED



* REDUCE TO 12.2m (40') O.C. ON CURVES WHERE ADVISORY SPEEDS ARE 15Km/H (10MPH) LOWER THAN POSTED SPEEDS.
** USE DOUBLE MARKERS WHEN ADT \geq 25,000

MULTI-LANE / UNDIVIDED

TYPICAL PAVEMENT MARKING FOR TWO LANE SECTION - NO PASSING ZONES



SYMBOLS

FILE NAME =	USER NAME = Plotted by new2	DESIGNED -	REVISED - 10-21-08
...N16-23.district_standards.dgn		DRAWN -	REVISED -
	PLOT SCALE = 50,000 / IN.	CHECKED -	REVISED -
	PLOT DATE = 12/10/2008	DATE -	REVISED -

STATE OF ILLINOIS
DEPARTMENT OF TRANSPORTATION

REGION 2 / DISTRICT 2 STANDARD

F.A. RTE.	SECTION	COUNTY	TOTAL SHEETS	SHEET NO.
308	1103C-1BRID	JO DAVIESS	62	23
FED. ROAD DIST. NO. ILLINOIS FED. AID PROJECT			CONTRACT NO. 64C03	

SCALE: NTS SHEET NO. OF SHEETS STA. TO STA.