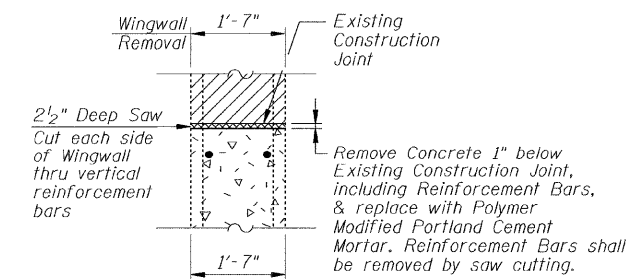
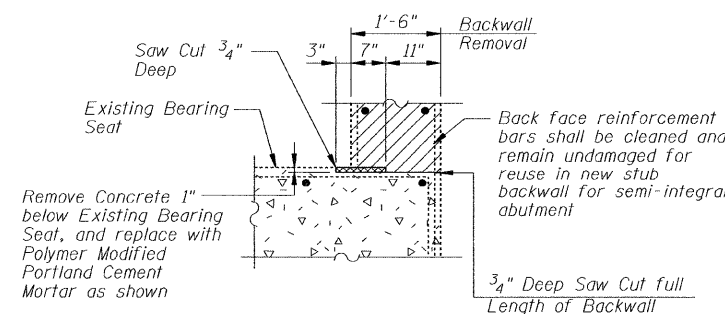
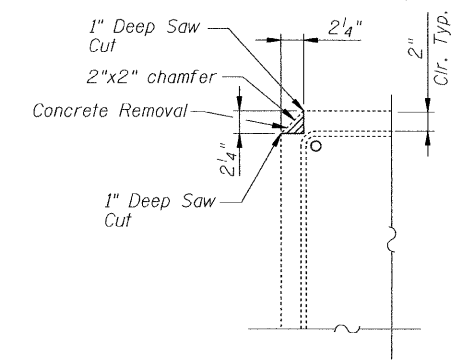
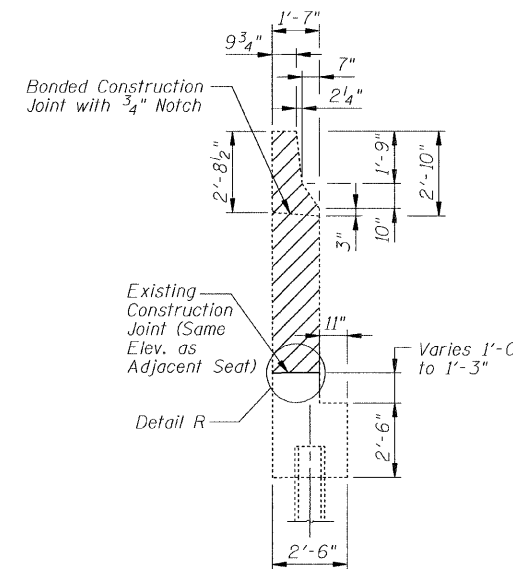
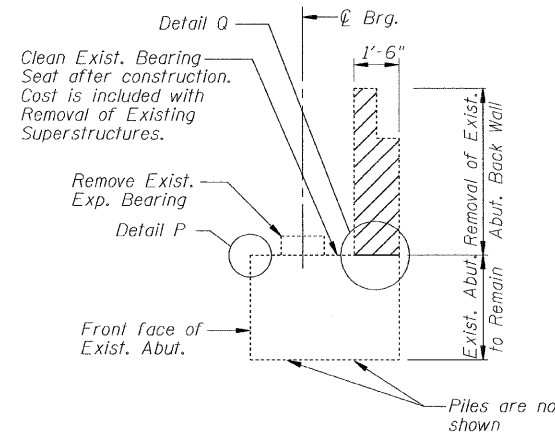
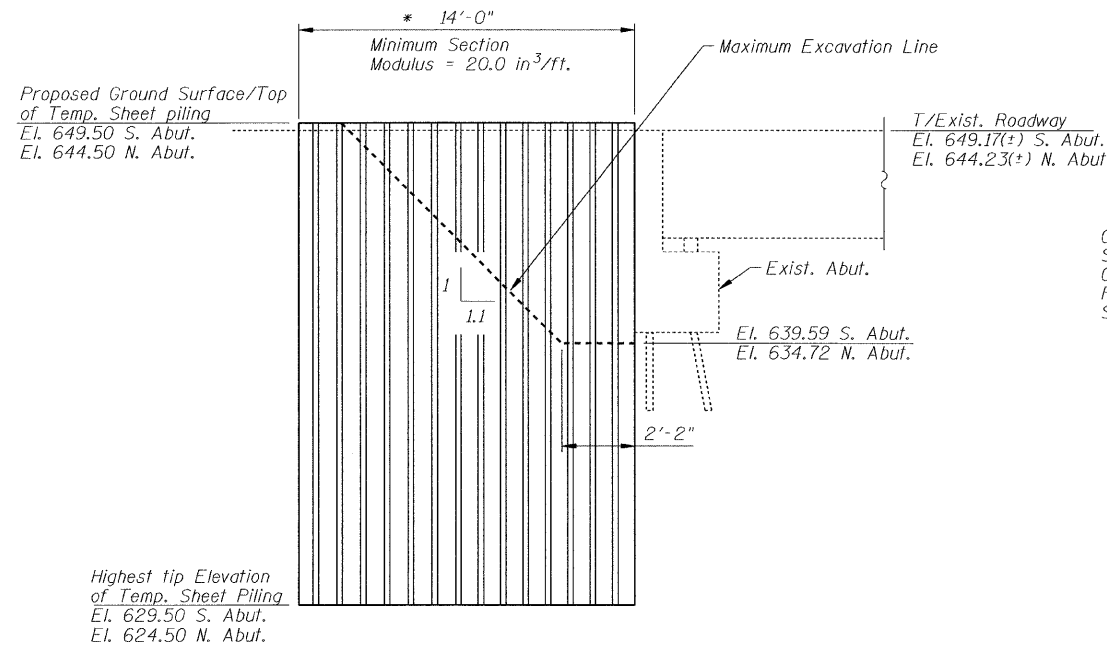
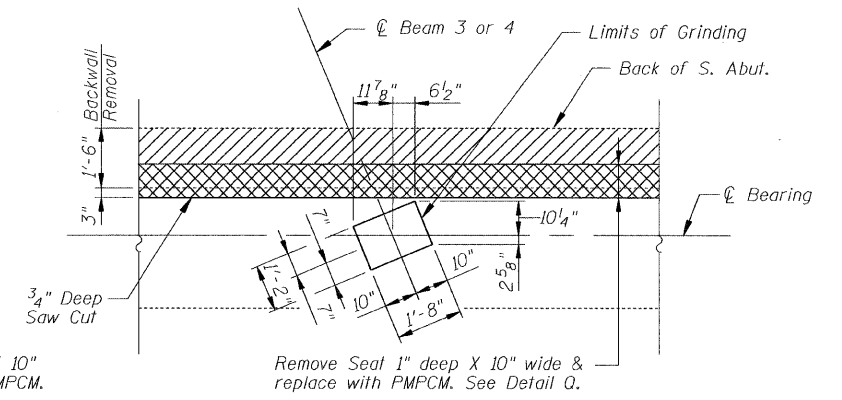
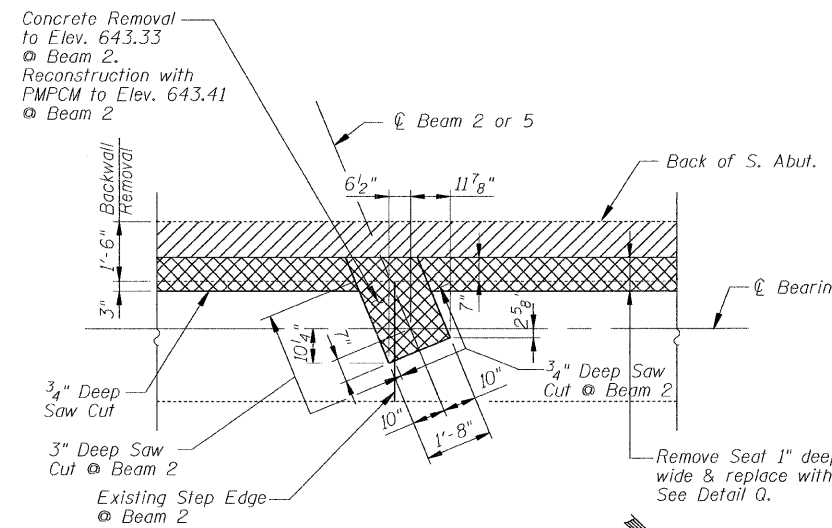
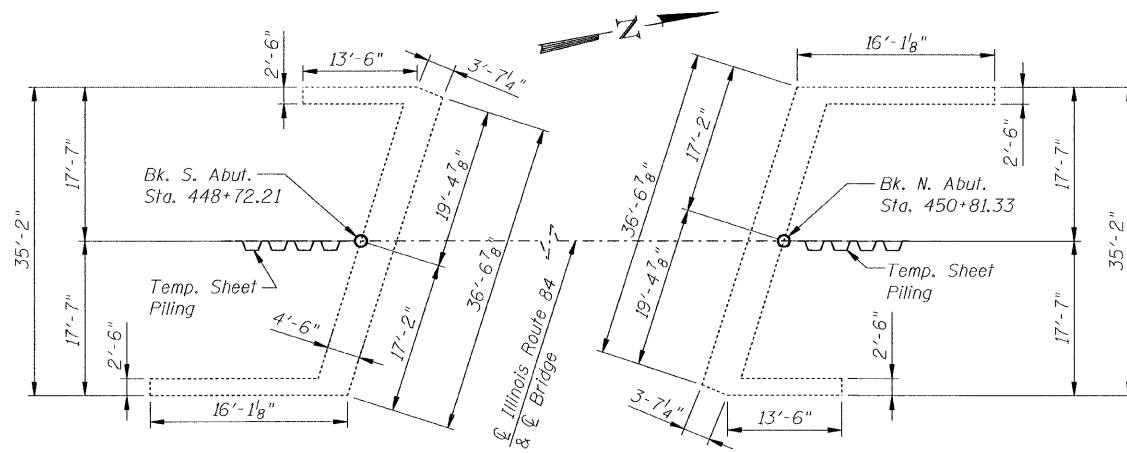


ROUTE NO.	SECTION	COUNTY	TOTAL SHEETS	SHEET NO.
308	103C-1BRD	Jo Daviess	62	29
FED. ROAD DIST.	ILLINOIS	FED. AID PROJECT-		

SHEET NO. 6 OF 26 SHEETS

Contract # 64C03



**TEMPORARY SHEET PILING NOTES**

- If the Contractor chooses to alter the temporary cantilevered sheet piling design requirements shown on the plans, a design submittal including plan details and calculations will be required for review and acceptance by the Engineer.
- \* Dimensions are along  $\phi$  Illinois Route 84.

**NOTES**

- For Legend and Locations of Sections M-M and N-N, see Sheet 5 of 26.

DESIGNED	J.J.G.
CHECKED	S.D.H.
DRAWN	M.S.M.
CHECKED	J.J.G.

ABUTMENT SHEET PILING AND REMOVAL DETAILS  
 IL Route 84 over Irish Hollow Creek  
 F.A.P. RTE 308, SECTION (103C-1BR)D  
 JO DAVIESS COUNTY  
 STATION 449+62.06  
 DATE: 12-11-08 S.N. 043-0037  
 GRAEF, ANHALT, SCHLOEMER & ASSOCIATES INC  
 CHICAGO ILLINOIS

p:\p0560208\p0560208-300\000\043-0037-sht6.dgn  
 12/22/08