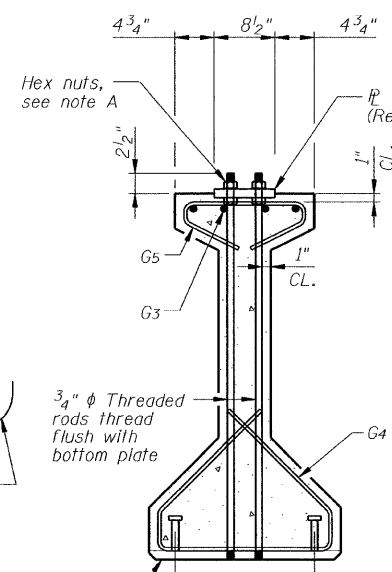


ELEVATION OF BEAMS 1 THRU 6-SPAN 2
(Showing reinforcement & dimensions)

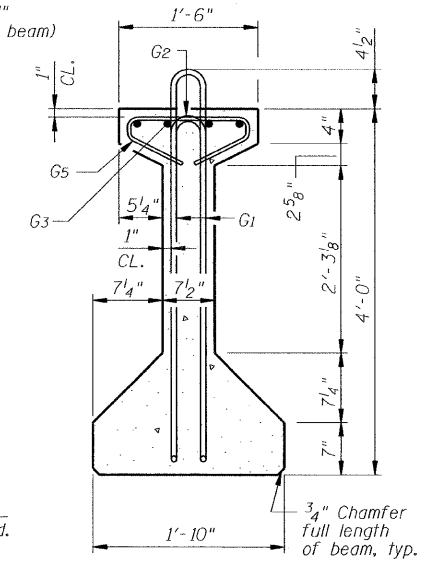
* 3 Spaces at 3" = 9"
** 4- $\frac{3}{4}$ " ϕ Threaded dowel rods at 3" cts., each face.

NOTE A:
Hex nuts (top and bottom) with lock washers (top). Only tighten sufficiently to compress lock washers.

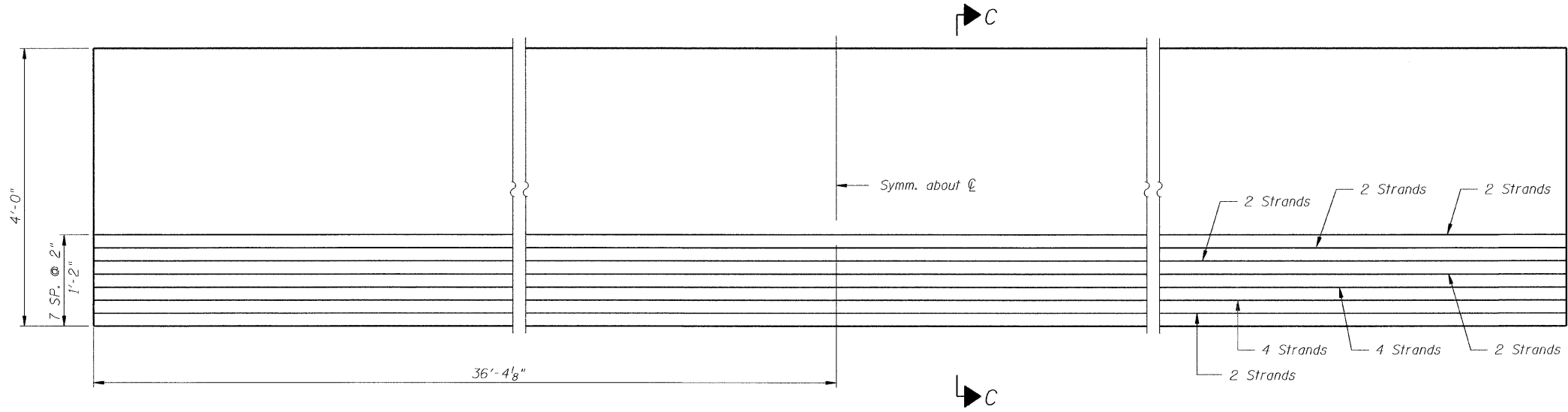
ϕ 1" x 1'-3" x 1'-10" (Bevel to match chamfer)



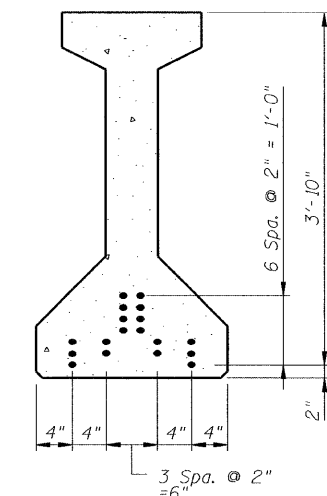
SECTION A-A



SECTION B-B



ELEVATION OF BEAM
(Showing prestressing steel)



SECTION C-C

BAR LIST
ONE BEAM ONLY

BAR	NO.	SIZE	LENGTH	SHAPE
G1	113	#4	9'-6"	U
G2	12	#4	7'-11"	U
G3	8	#7	38'-4"	U
G4	38	#3	5'-3"	U
G5	72	#3	2'-9"	U
G6	4	#8	3'-9"	U

Notes:
See sheet 17 of 26 for additional details and bill of material. Required release strength f'_{ci} , shall be 5,000 Psi.

DESIGNED	J.Z.
CHECKED	J.R.S.
DRAWN	M.S.M.
CHECKED	J.Z.

BEAM DETAILS, SPAN 2
IL Route 84 over Irish Hollow Creek
F.A.P. RTE 308, SECTION (103C-1BR)D
JO DAVIESS COUNTY
STATION 449+62.06
DATE: 12-11-08 S.N. 043-0037
GRAEF, ANHALT, SCHLOEMER & ASSOCIATES INC
CHICAGO ILLINOIS

c:\jbs\2008\p01\2008-300\00\043-0037-sht15.dgn 12/12/2008