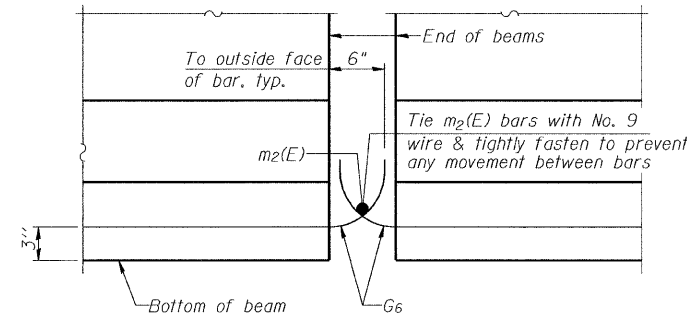
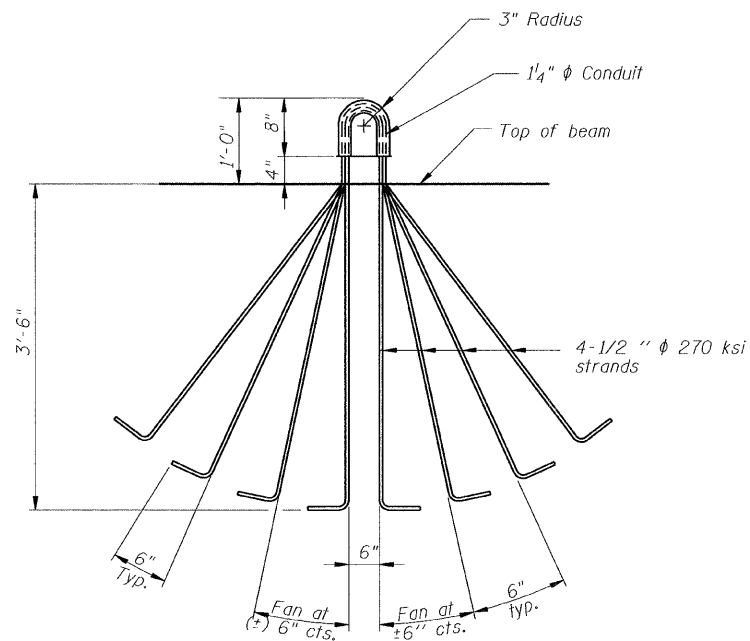


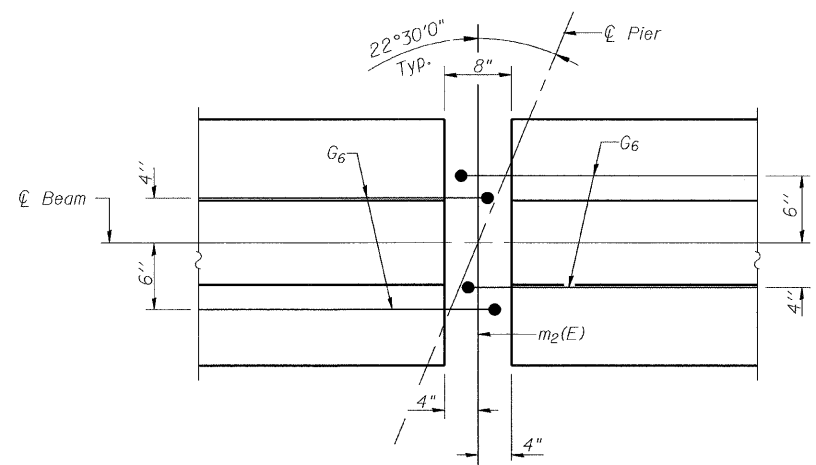
Contract # 64C03



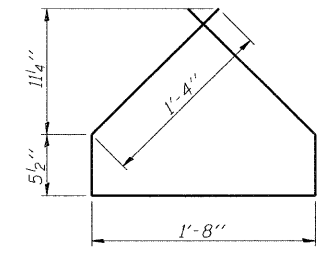
ELEVATION OF BEAM AT PIER



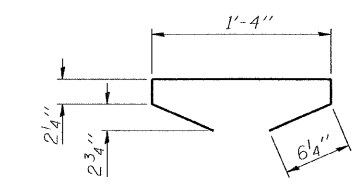
LIFTING LOOP DETAIL



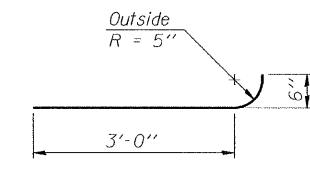
PLAN OF BEAM AT PIER



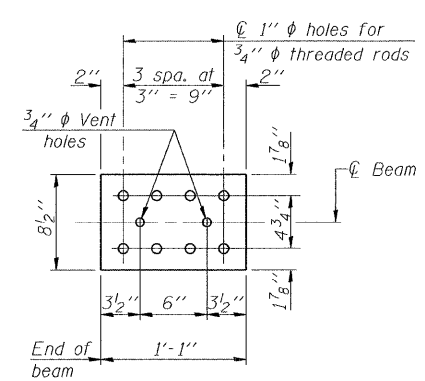
BAR G4



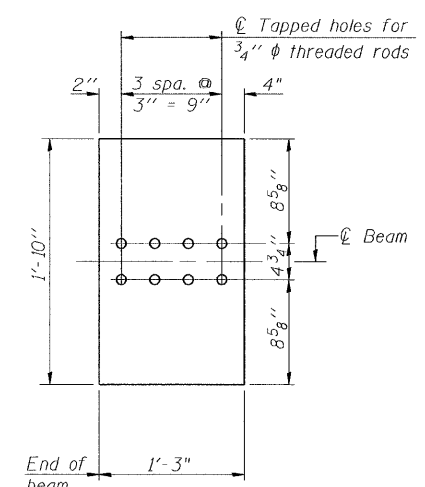
BAR G5



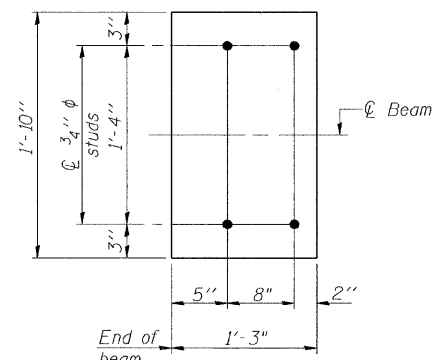
BAR G6



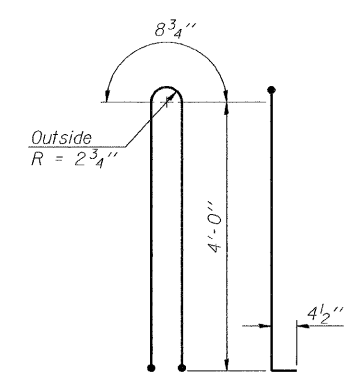
TOP PLATE



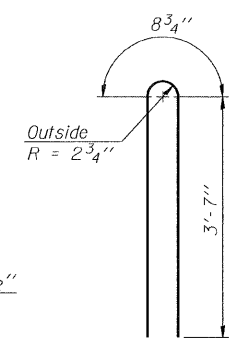
BOTTOM PLATE (Showing threaded rods)



BOTTOM PLATE (Showing studs)



BAR G1



BAR G2

BILL OF MATERIAL

ITEM	UNIT	TOTAL
Furnishing and Erecting Precast Prestressed Concrete I-Beams, 48"	Ft.	1,220

See bearing details for pintle hole locations when required.

DESIGNED	J.Z.
CHECKED	S.D.H.
DRAWN	M.S.M.
CHECKED	J.Z.

BEAM DETAILS

IL Route 84 over Irish Hollow Creek
 F.A.P. RTE 308, SECTION (103C-IBRD)
 JO DAVIESS COUNTY
 STATION 449+62.06
 DATE: 12-11-08 S.N. 043-0037
 GRAEF, ANHALT, SCHLOEMER & ASSOCIATES INC
 CHICAGO ILLINOIS

C:\p052008\p052008-300\00-043-0037-8H17.dgn
 12/12/2008