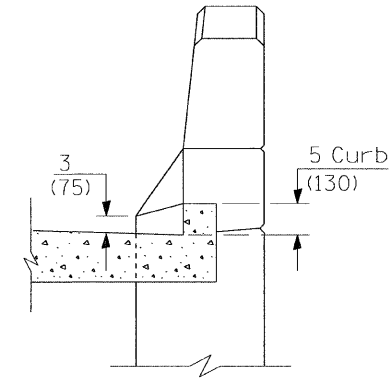
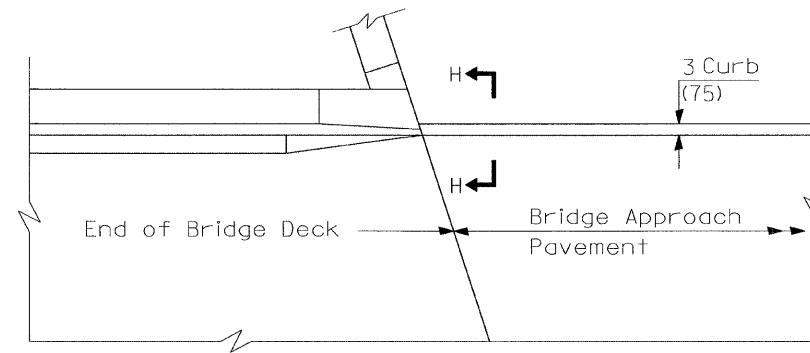


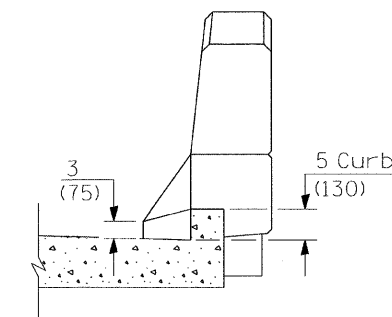
PARAPET TO CURB TRANSITION
PILE BENT ABUTMENT



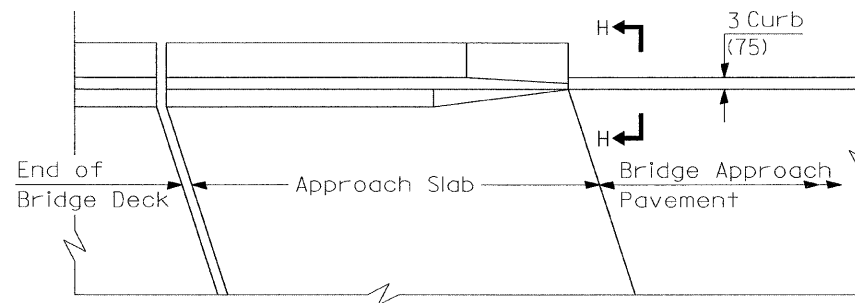
SECTION I - I



PARAPET TO CURB TRANSITION
INTEGRAL ABUTMENT



SECTION H - H



PARAPET TO CURB TRANSITION
VAULTED ABUTMENT

BRIDGE APPROACH
PAVEMENT DETAIL