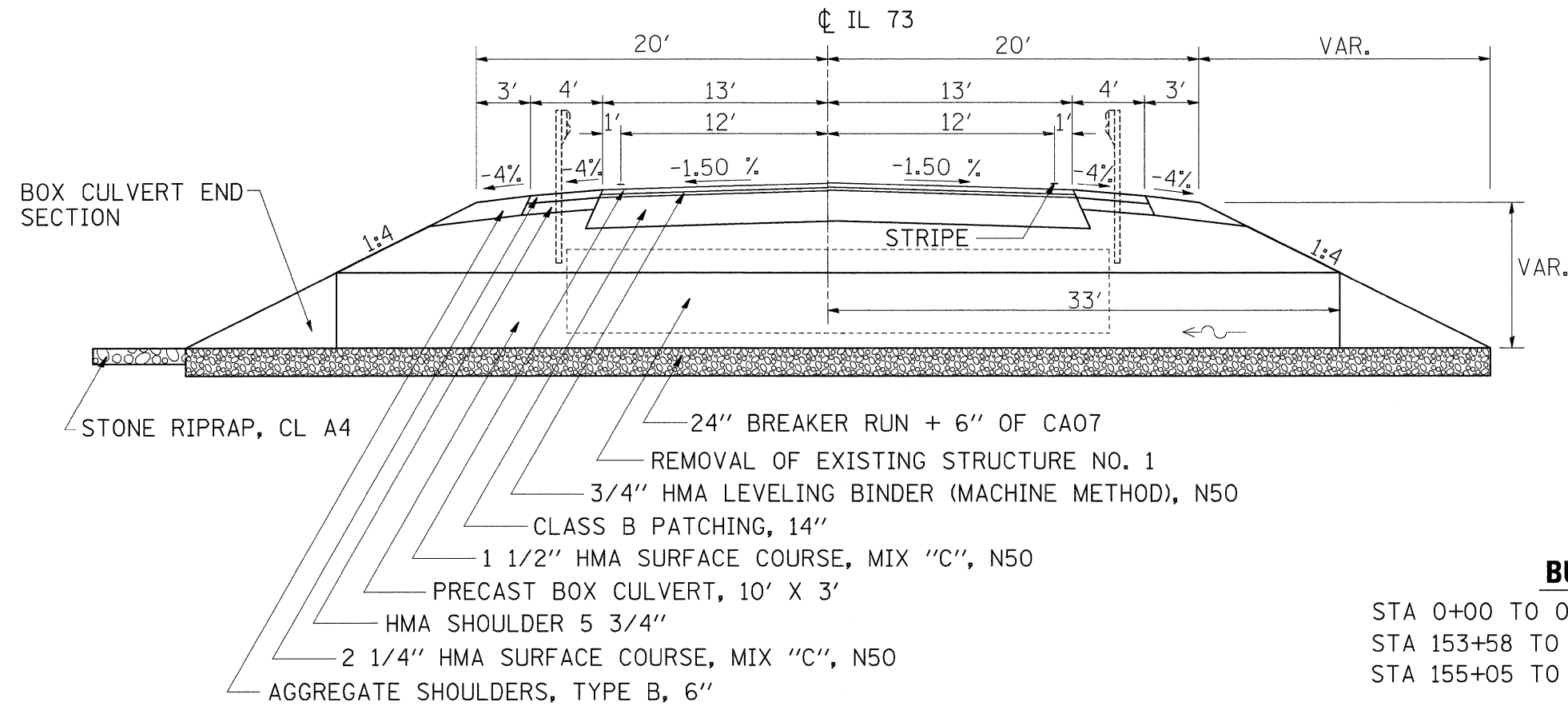


TYPICAL SECTIONS

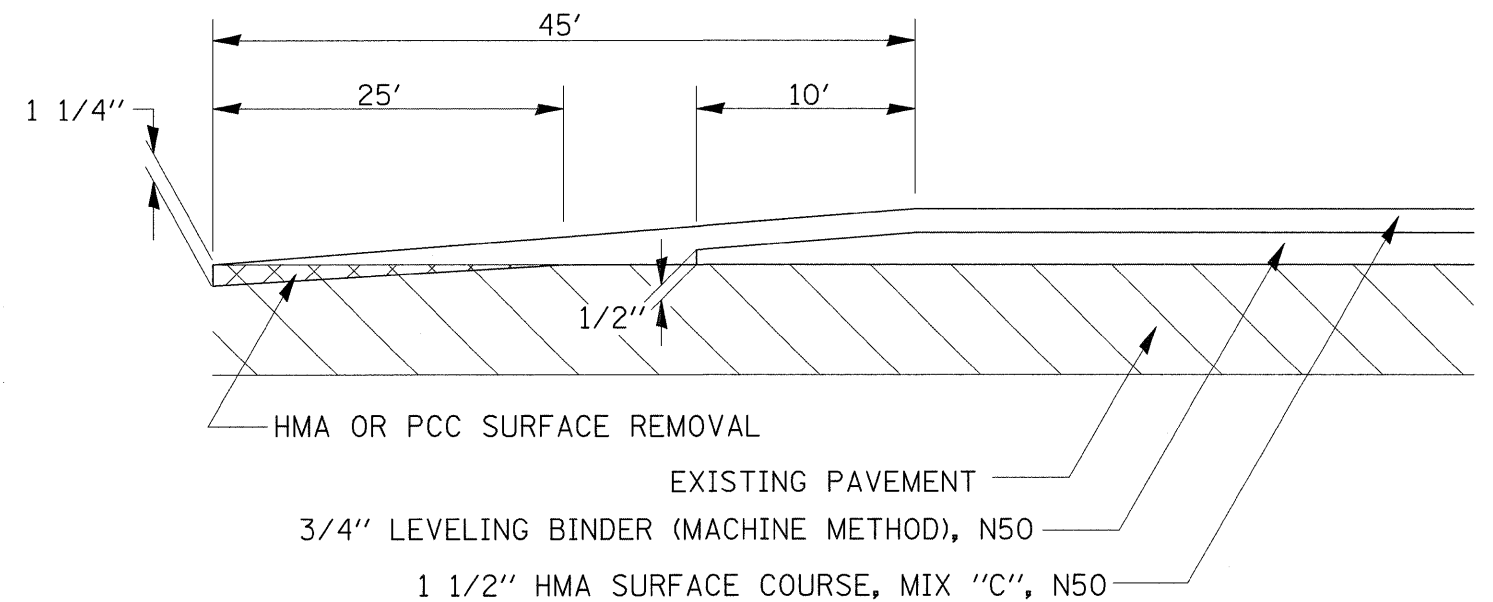
CULVERT TYPICAL

S.N. 089-1107
STA. 486+63.97



BUTT JOINT DETAIL

STA 0+00 TO 0+45 STA 551+18 TO 551+63
 STA 153+58 TO 154+03 STA 552+76 TO 553+21
 STA 155+05 TO 155+50 STA 577+55 TO 578+00



FILE NAME =	USER NAME = dmsdd	DESIGNED -	REVISED -	STATE OF ILLINOIS DEPARTMENT OF TRANSPORTATION	IL 73			F.A.P. RTE.	SECTION	COUNTY	TOTAL SHEETS	SHEET NO.			
of\pw_work\VPWIDOT\DOSSDD\dms33571\d02977.dgn		DRAWN -	REVISED -		SCALE:	SHEET NO.	OF	SHEETS	STA.	TO STA.	654	(107, 108, 109)RS-4	STEPHENSON	89	13
PLOT SCALE = 50.0000' / IN.		CHECKED -	REVISED -												
PLOT DATE = Wed Sep 24 09:25 2008		DATE -	REVISED -												
											CONTRACT NO. 64C91			FED. ROAD DIST. NO. 2 ILLINOIS FED. AID PROJECT	