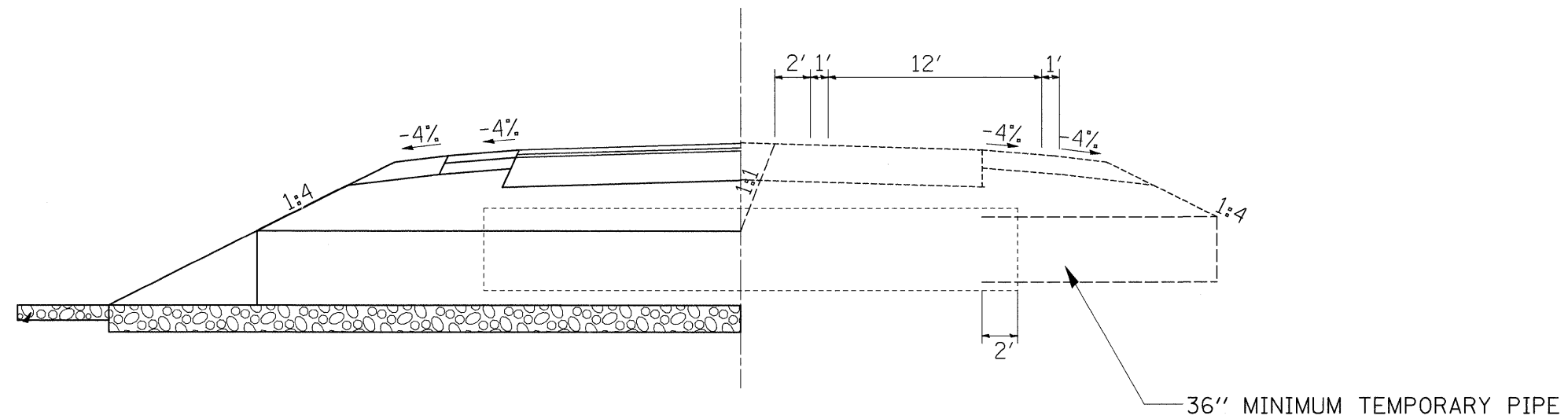


# TYPICAL SECTIONS

## STAGING USING TRAFFIC CONTROL AND PROTECTION, STANDARD 701201

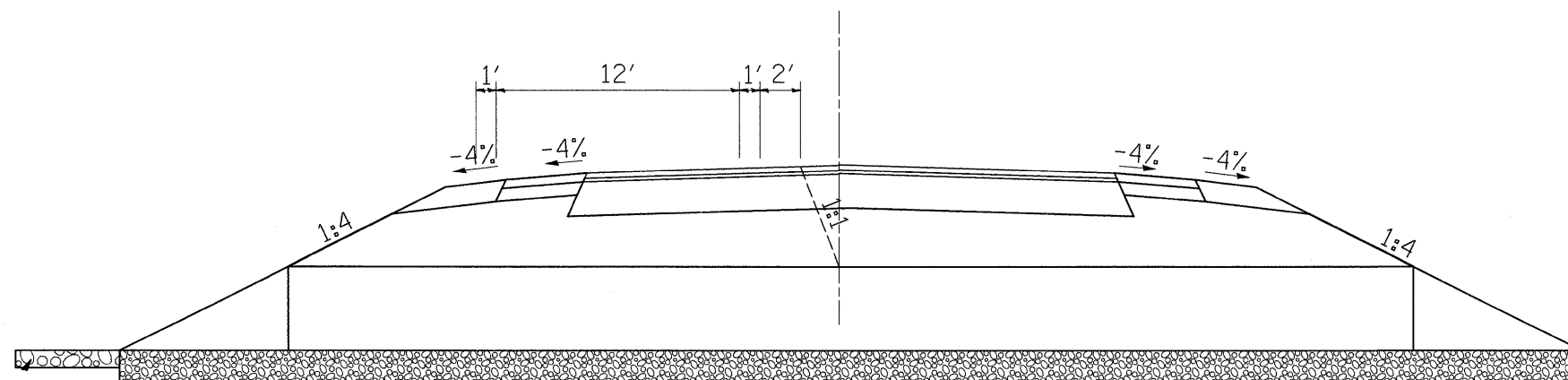
**STAGE I**  
 STA 486+64  
 ⌀ IL 73



BILL OF MATERIALS  
 STAGING USING TRAFFIC CONTROL AND PROTECTION, STANDARD 701201

ITEM	UNIT	QUANTITY
PAVEMENT PATCHING, SPECIAL	SQ YD	124
TEMPORARY PIPE (36" MINIMUM)	FOOT	18
AGGREGATE BASE COURSE, TYPE B	TON	16

**STAGE II**  
 STA 486+64  
 ⌀ IL 73



FILE NAME =	USER NAME = dssdd	DESIGNED -	REVISED -	<b>STATE OF ILLINOIS DEPARTMENT OF TRANSPORTATION</b>	<b>IL 73</b>				F.A.P. RTE.	SECTION	COUNTY	TOTAL SHEETS	SHEET NO.		
ct:\pw_work\VPWIDOT\DOSSDD\dms33571\d02967.dgn		DRAWN -	REVISED -		SCALE:	SHEET NO.	OF	SHEETS	STA.	TO STA.	654	(107,108,109)RS-4	STEPHENSON	89	18
		CHECKED -	REVISED -		CONTRACT NO. 64C91										
		DATE -	REVISED -		FED. ROAD DIST. NO. ILLINOIS FED. AID PROJECT										