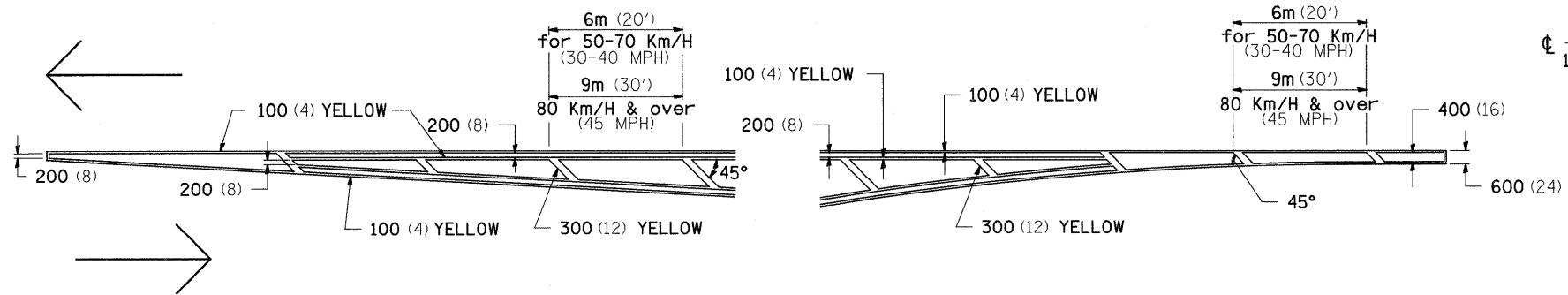
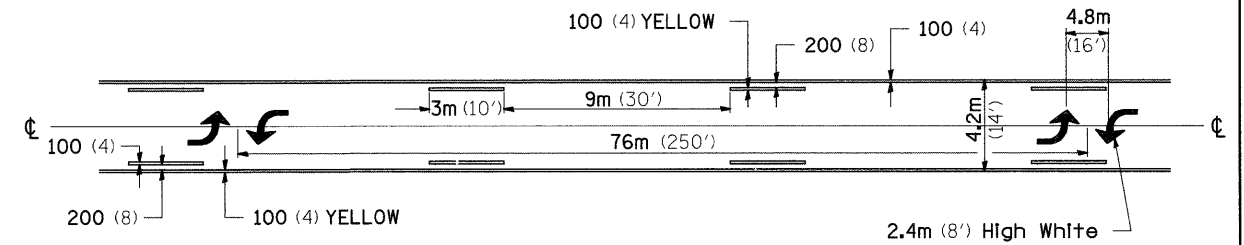


# TYPICAL PAVEMENT MARKINGS

## TYPICAL PAVEMENT MARKING FOR FLUSH MEDIAN AT LEFT TURN LANE

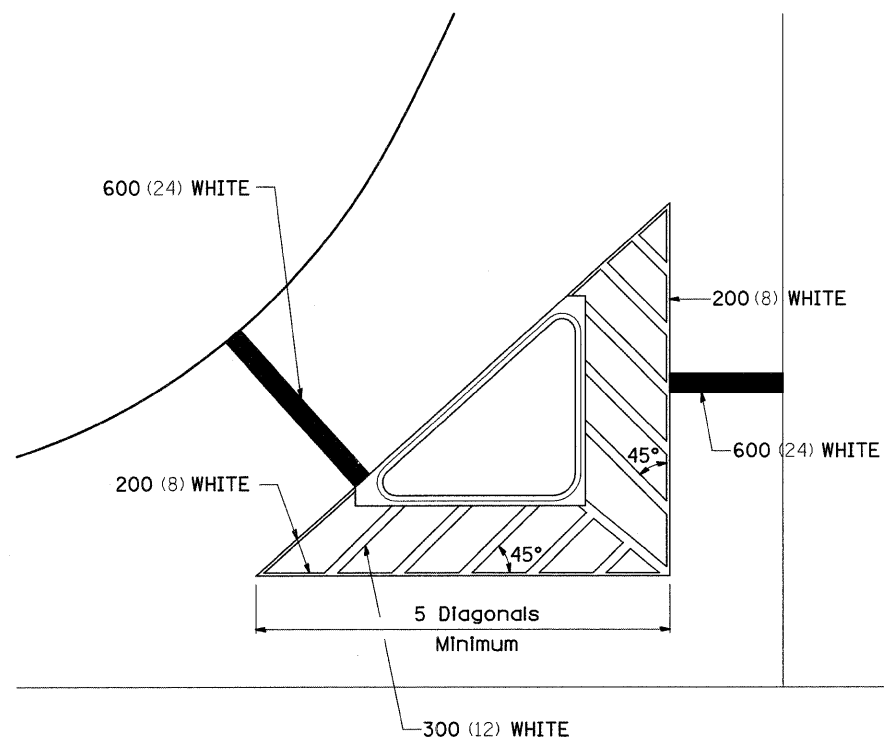


## MEDIAN PAVEMENT MARKING

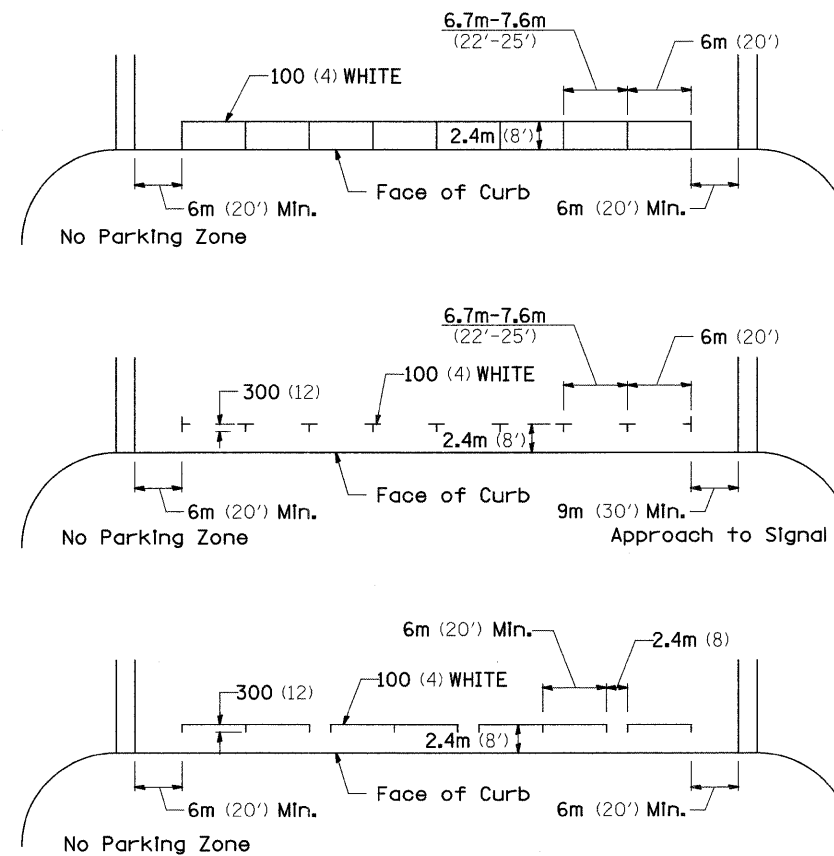


\*\* ALL DIMENSIONS ARE IN MILLIMETERS (INCHES) UNLESS OTHERWISE NOTED.

## TYPICAL ISLAND OFFSET SHOULDER WIDTH

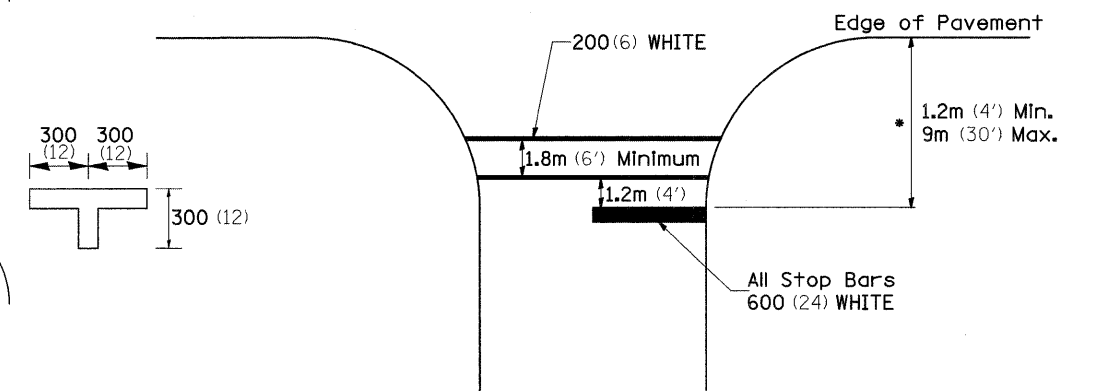


## TYPICAL PARKING SPACING



## STANDARD CROSSWALK MARKING

See Schedules for Locations



\* Distance to the nearest edge of the intersecting roadway in the absence of a marked crosswalk.

FILE NAME =	USER NAME = dossed	DESIGNED -	REVISED - 1-11-08	<b>STATE OF ILLINOIS DEPARTMENT OF TRANSPORTATION</b>	<b>REGION 2 / DISTRICT 2 STANDARD</b>				F.A.P. RTE.	SECTION	COUNTY	TOTAL SHEETS	SHEET NO.
et:\pw_work\VPWIDOT\DOSSDD\dms33571\d029	7spl.dgn	DRAWN -	REVISED -		654	(107, 108, 109)RS-4	STEPHENSON	89	76				
PLOT SCALE = 50.0000' / IN.	CHECKED -	REVISED -	REVISED -		CONTRACT NO. 64C91								
PLOT DATE = Wed Sep 24 08:56:58 2008	DATE -	REVISED -	REVISED -		FED. ROAD DIST. NO. ILLINOIS FED. AID PROJECT								