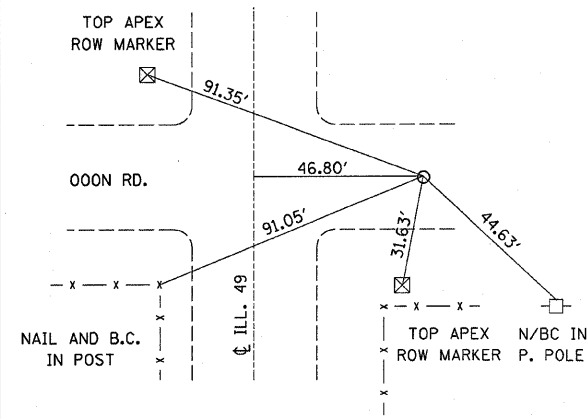


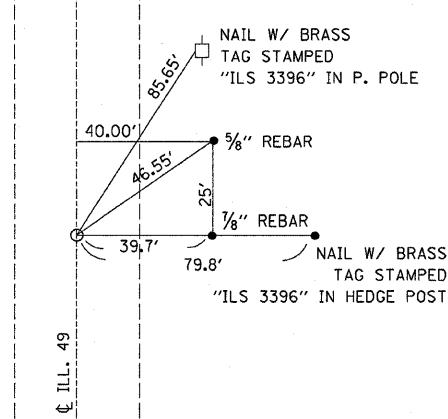
| F.A.P. RTE. | SECTION | COUNTY | TOTAL SHEETS | SHEET NO. |
|-----------------------|---------|---------------------------|--------------|-----------|
| 840 | : | IRROQUOIS | 16 | 15 |
| STA. | | TO STA. | | |
| FED. ROAD DIST. NO. 5 | | ILLINOIS FED. AID PROJECT | | |

*(123)RS-1 & (135)RS-2



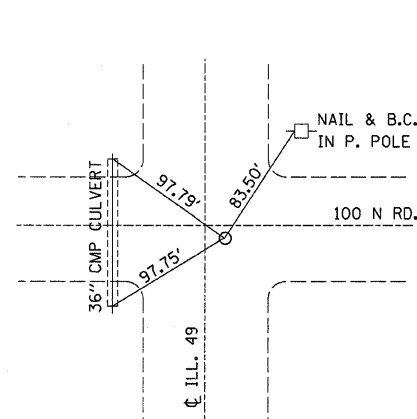
FOUND MAG NAIL AND WASHER
±46.80' E. OF C ILL. 49

R.E. TO REPLACE NAIL
IN KIND AT JOB COMPLETION



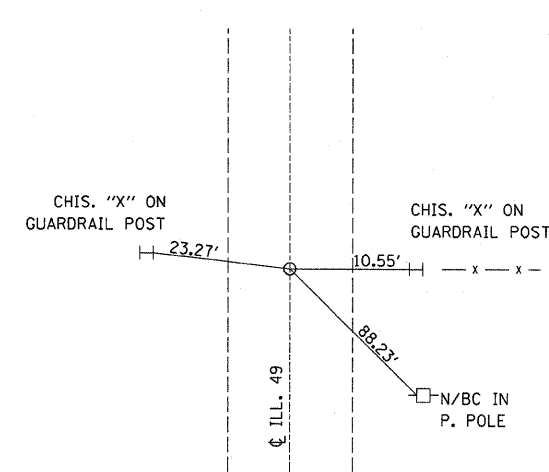
FOUND MAG NAIL AND WASHER ON C ILL. 49
STA. XXX+XX
W 1/4 COR. SEC. 36

PAY FOR AS PERMANENT SURVEY MARKER



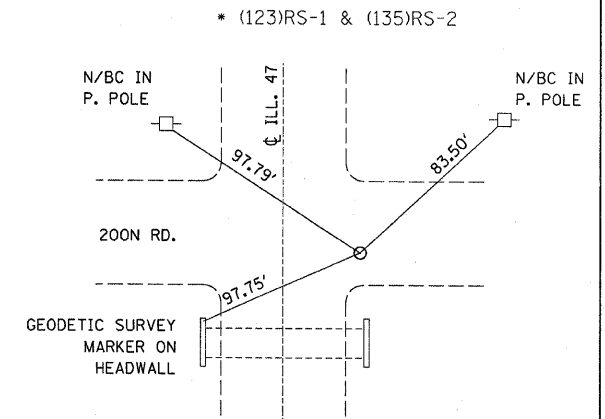
FOUND MAG NAIL & WASHER 6.4' EAST OF C
ILL. 49 AND 3' SOUTH OF C 100 N. ROAD
STA. XXX+XX
SW CORNER SEC 25

PAY FOR AS PERMANENT SURVEY MARKER



FOUND MAG NAIL & WASHER 6.15 EAST OF ON
C ILL. 49
STA. XXX+XX
W 1/4 COR. SEC. 25

PAY FOR AS PERMANENT SURVEY MARKER



FOUND ALUM. DISK 22' EAST OF C ILL. 49
STA. 104+33.26
N.E. CORNER SEC 26, T24N, R24W, 2ND PM

PAY FOR AS PERMANENT SURVEY MARKER

March 15, 2004
ed02604\detail15.dgn