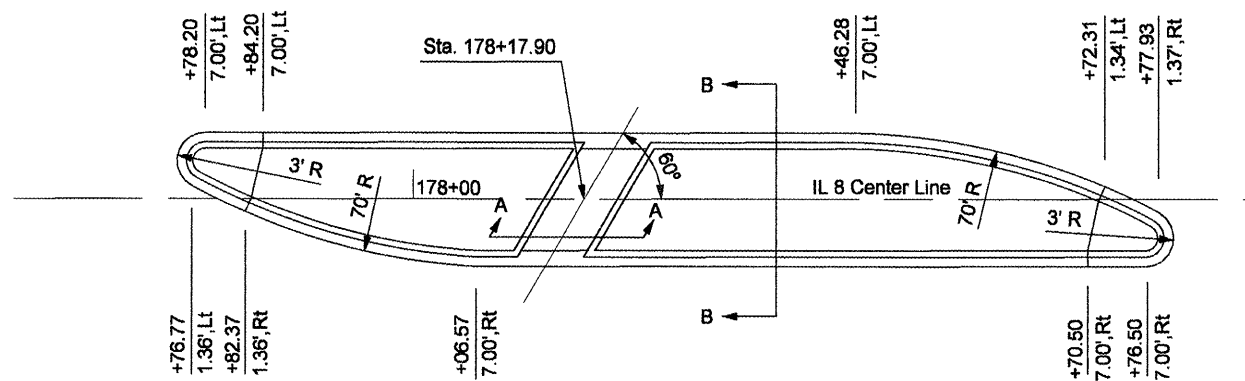
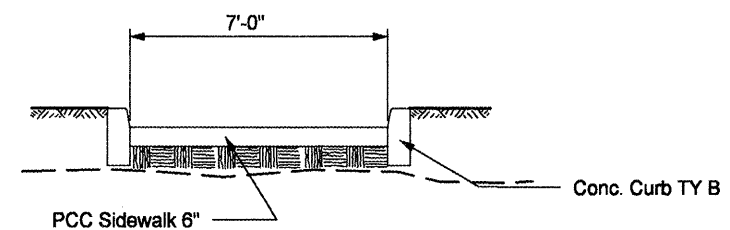


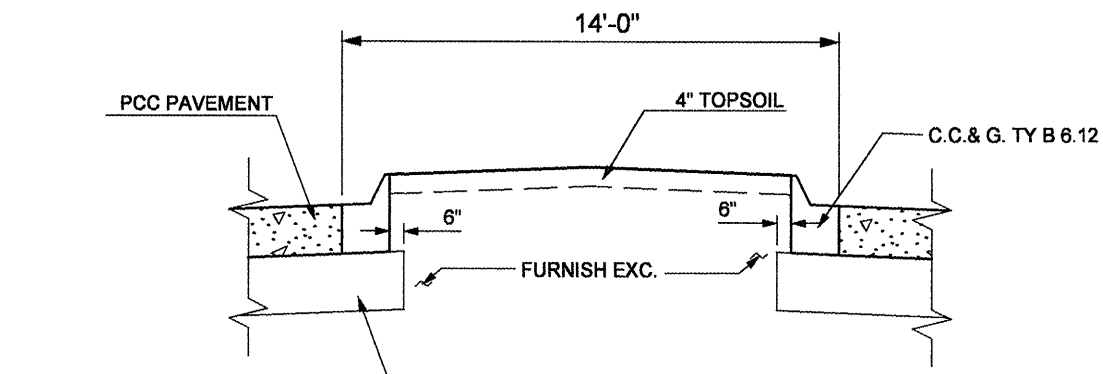
MEDIAN FROM STA. 174+43.39 TO 175+52.86



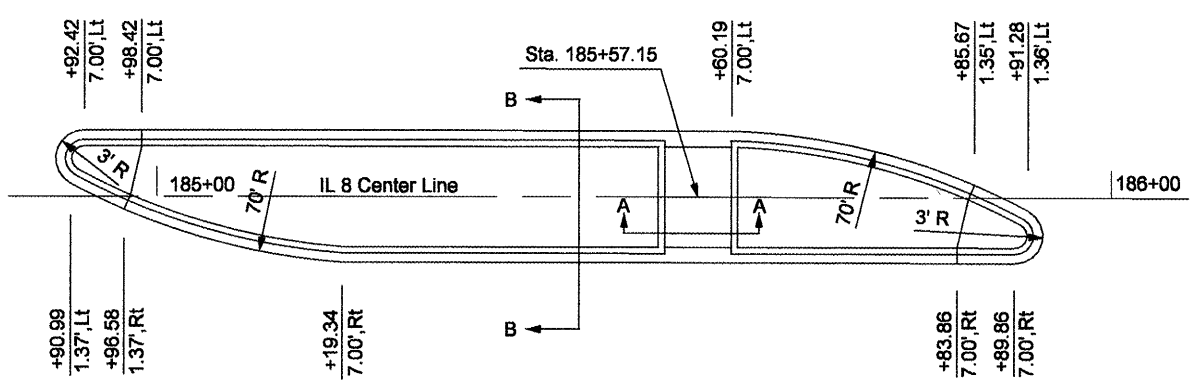
MEDIAN FROM STA. 177+75.20 TO 178+79.50



SECCION A-A
NOT TO SCALE



SECCION B-B
NOT TO SCALE



MEDIAN FROM STA. 184+89.42 TO 185+92.87

FILE NAME = Copy of pvmtak.dgn	USER NAME = crespole	DESIGNED -	REVISED -	STATE OF ILLINOIS DEPARTMENT OF TRANSPORTATION	PEDESTRIAN CROSSWALK DETAILS			F.A.P. RTE.	SECTION	COUNTY	TOTAL SHEETS	SHEET NO.
	PLOT SCALE = 20.0/13 / IN.	CHECKED -	REVISED -					399	36 R-8	TAZEWELL	429	166
	PLOT DATE = 12/11/2008	DATE -	REVISED -		SCALE: SHEET NO. OF SHEETS STA. TO STA.			CONTRACT NO. 68258				
FED. ROAD DIST. NO. 4 ILLINOIS FED. AID PROJECT												