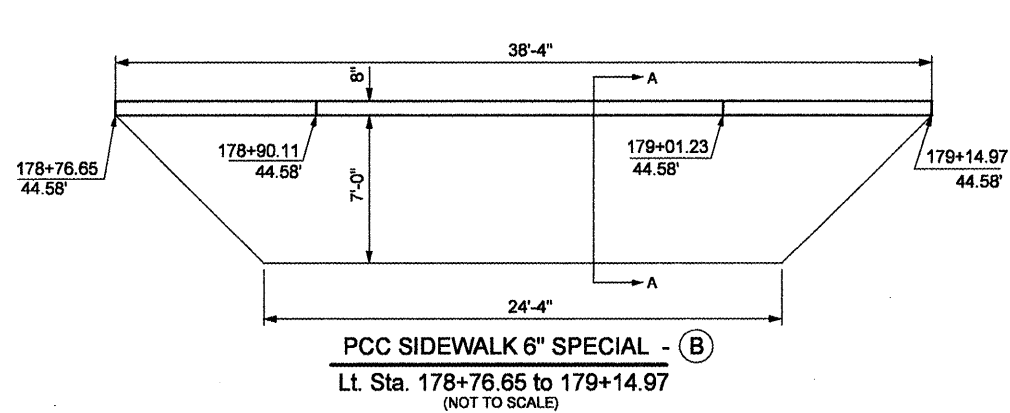
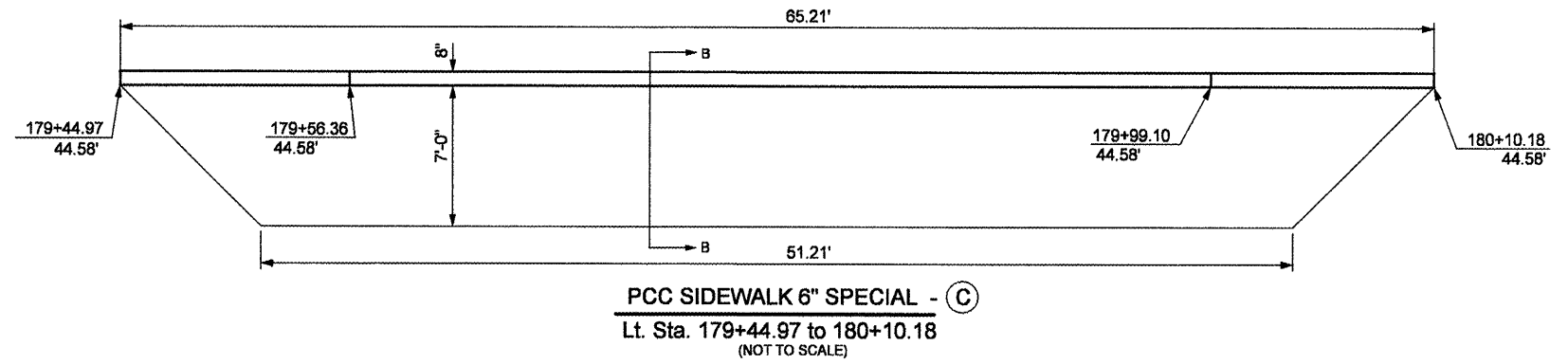


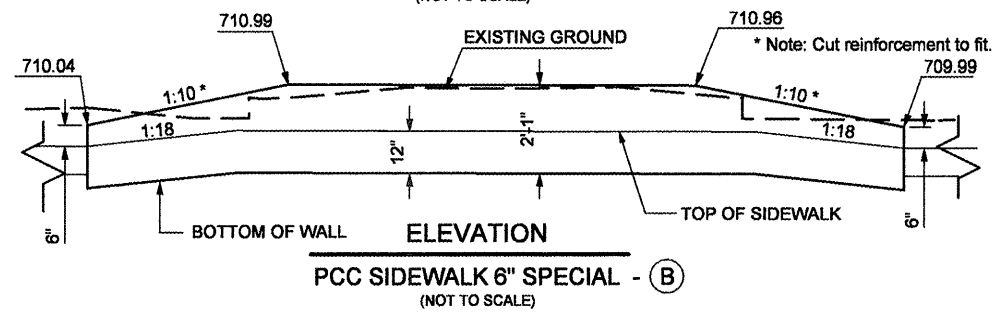
LOCATIONS OF PCC SIDEWALK 6" , SPECIAL



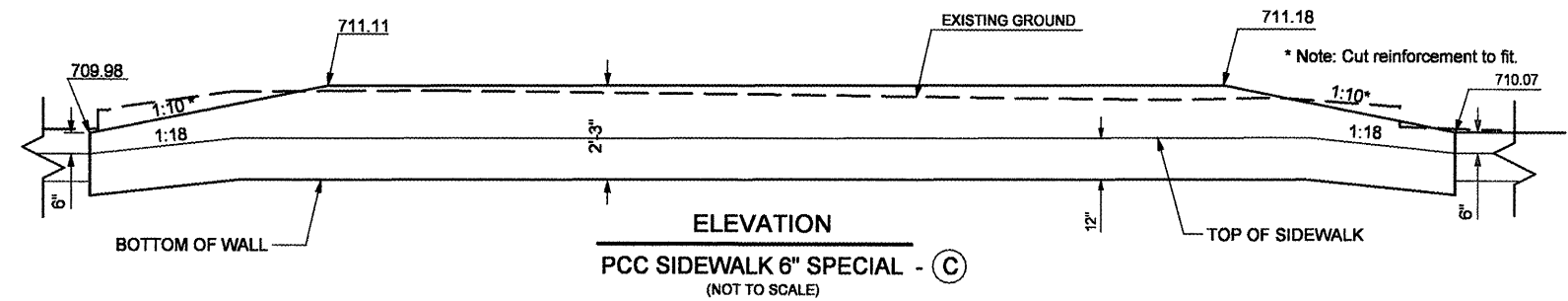
PCC SIDEWALK 6" SPECIAL - (B)
Lt. Sta. 178+76.65 to 179+14.97
(NOT TO SCALE)



PCC SIDEWALK 6" SPECIAL - (C)
Lt. Sta. 179+44.97 to 180+10.18
(NOT TO SCALE)



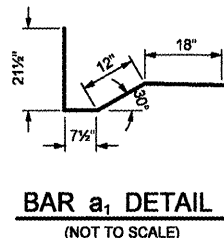
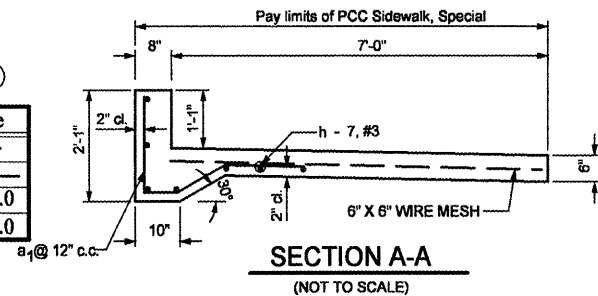
PCC SIDEWALK 6" SPECIAL - (B)
(NOT TO SCALE)



PCC SIDEWALK 6" SPECIAL - (C)
(NOT TO SCALE)

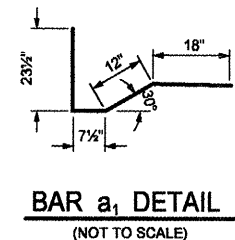
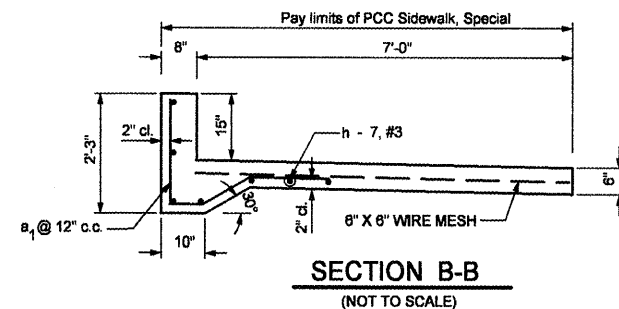
BILL OF MATERIALS
PCC SIDEWALK 6" SPECIAL - (B)

Bar	No.	Size	Length	Shape
a ₁	27	#4	4'-9"	
h	7	#3	25'-7"	
Reinforcement Bars		Pound	153.0	
PCC Sidewalk 6", Special		Sq Ft	245.0	



BILL OF MATERIALS
PCC SIDEWALK 6" SPECIAL - (C)

Bar	No.	Size	Length	Shape
a ₁	66	#4	5'-1"	
h	7	#3	64'-11"	
Reinforcement Bars		Pound	395.0	
PCC Sidewalk 6", Special		Sq Ft	451.12	



FILE NAME = Walls Details.dgn	USER NAME = sws/herdh	DESIGNED -	REVISED -
	PLOT SCALE = 9/32" = 1" / IN.	DRAWN -	REVISED -
	PLOT DATE = 12/11/2008	CHECKED -	REVISED -
		DATE -	REVISED -

STATE OF ILLINOIS
DEPARTMENT OF TRANSPORTATION

PCC SIDEWALK 6", SPECIAL (B) & (C)			
SCALE:	SHEET NO. OF SHEETS	STA. TO STA.	

F.A.P. RTE. 399	SECTION 36 R-8	COUNTY TAZEWELL	TOTAL SHEETS 429	SHEET NO. 170
CONTRACT NO. 68258				
FED. ROAD DIST. NO. 4 ILLINOIS FED. AID PROJECT				