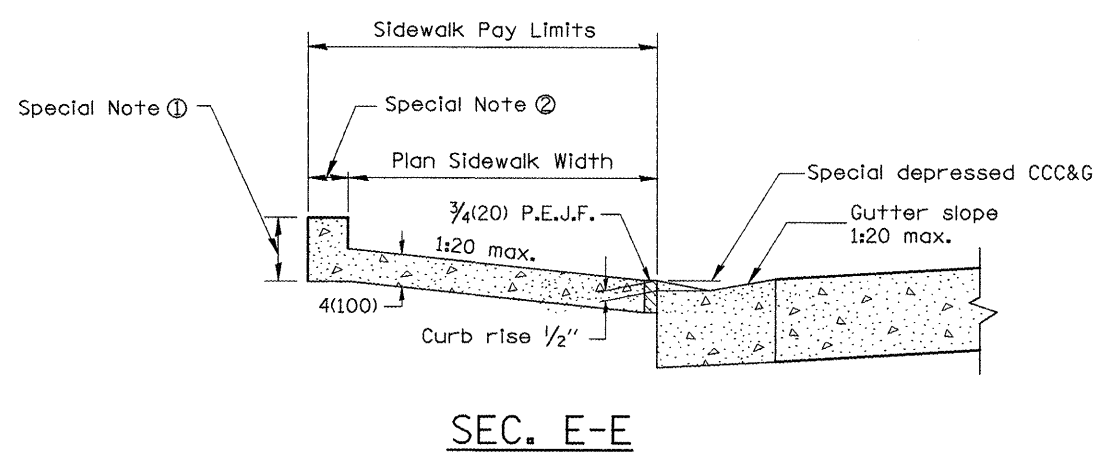
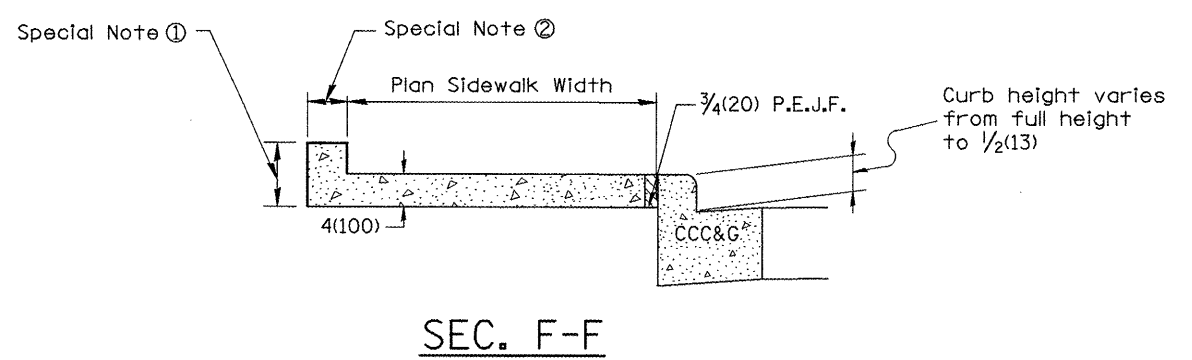


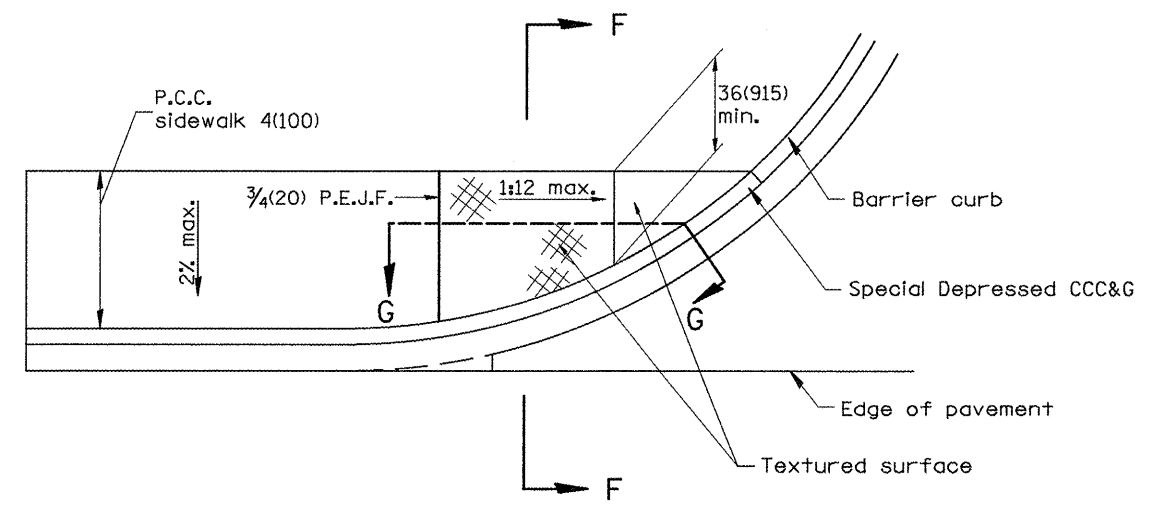
**CASE 3**  
TYPE B DIAGONAL RAMP WITH CURBLINE SIDEWALK



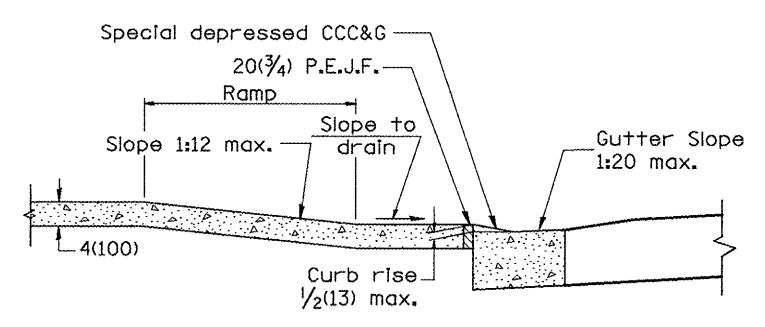
**SEC. E-E**



**SEC. F-F**



**CASE 4**  
TYPE B RAMP WITH CURBLINE SIDEWALK



**SEC. G-G**

All dimensions are in inches (millimeters) unless otherwise noted.

				<b>STATE OF ILLINOIS DEPARTMENT OF TRANSPORTATION</b>		<b>SIDEWALK RAMPS, ACCESSIBLE TO THE DISABLED</b>		SHT. 2 OF 2 CADD STD. 424001-D4		FED. ROAD DIST. NO. ILLINOIS FED. AID PROJECT	
				NOT TO SCALE		429		CONTRACT NO. 68258		CONTRACT NO. 68258	
								F.A.P. RTE. 399		SECTION 36R-8	
								COUNTY Tazewell		TOTAL SHEETS 429	
										SHEET NO. 189	