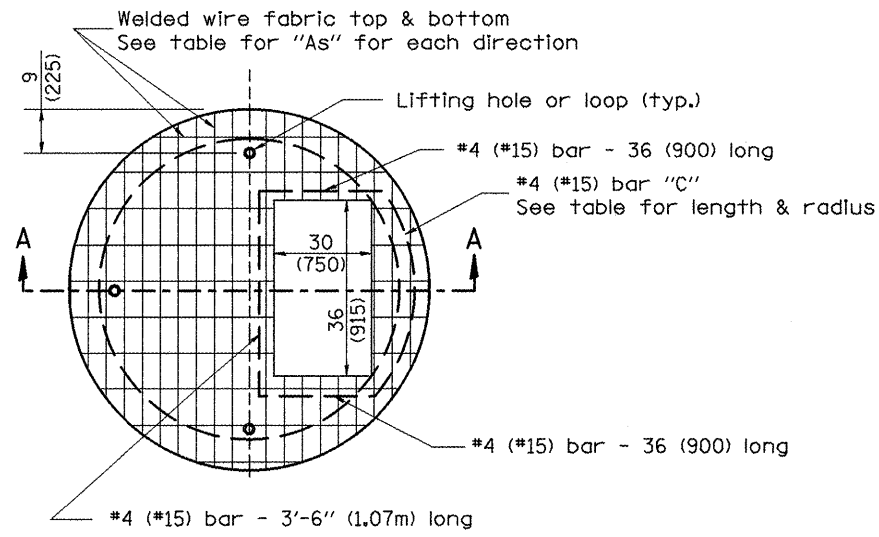
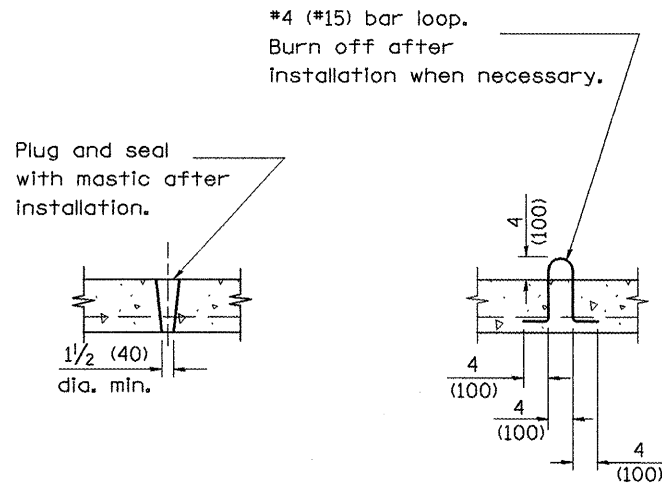


DESIGNER NOTES:
 1. Include this standard with Type G-1 and Type G-1, Special Inlet-Manholes.
 2. The flat slab top is included in the cost of INLET-MANHOLES as per District Special Provision.

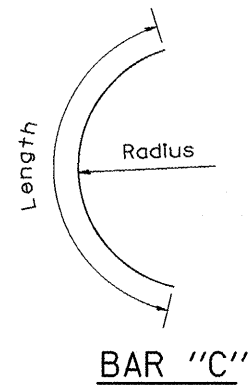


PLAN



**LIFTING HOLE OR LIFTING LOOP
TYPICAL**

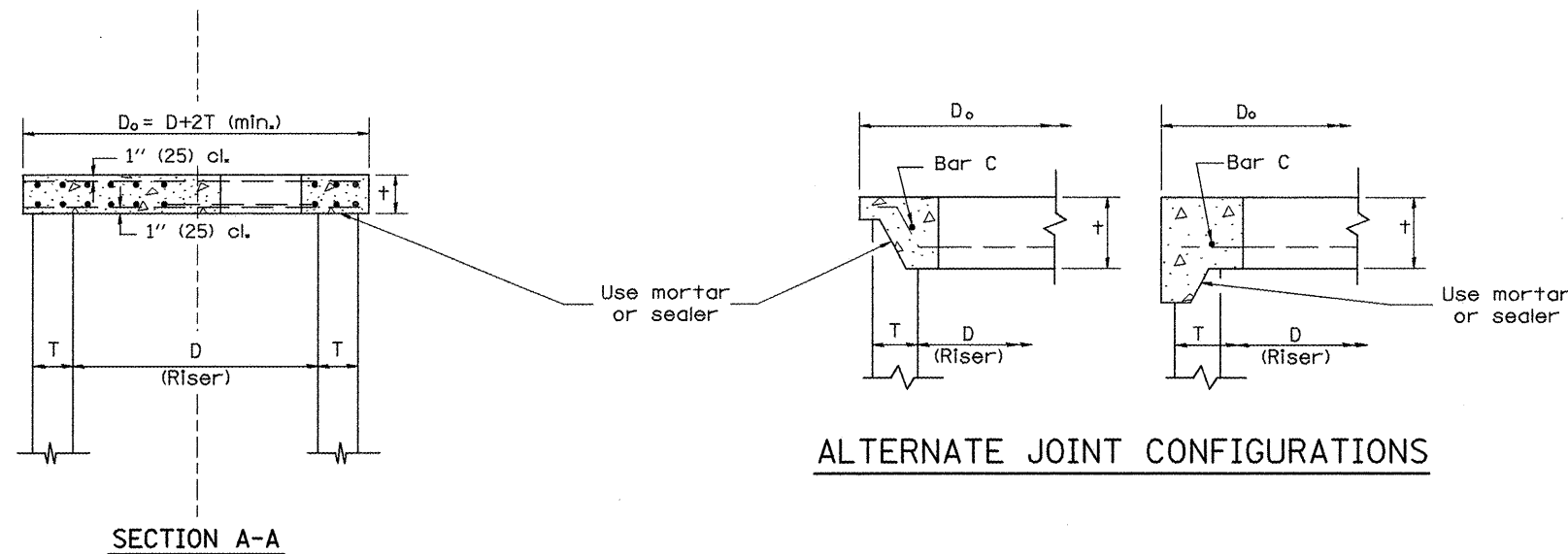
(3 required per slab)



BAR "C"

TABLE

D	T	D _o (min.)	t	Reinforcement "A" W.W.F. each direction	Bar size	No. 15 (No. 4) Bar C	
						Length	Radius
4' (1.2m)	5 (125)	4'-10" (1.5m)	6 (150)	0.70 sq. inch/lin. ft. (1480mm ² /m)	No. 15 (No. 5)	1.35m (4'-6")	660 (26)
5' (1.5m)	6 (150)	6'-0" (1.8m)	8 (200)	0.70 sq. inch/lin. ft. (1480mm ² /m)	No. 15 (No. 5)	1.5m (5'-0")	810 (32)
6' (1.8m)	7 3/4 (195)	7'-3 1/2" (2.2m)	8 (200)	0.88 sq. inch/lin. ft. (1860mm ² /m)	No. 20 (No. 6)	1.8m (6'-0")	965 (38)
8' (2.4m)	9 (225)	9'-6" (2.9m)	10 (250)	0.88 sq. inch/lin. ft. (1860mm ² /m)	No. 20 (No. 6)	2.3m (7'-6")	1,27m (4'-2")



ALTERNATE JOINT CONFIGURATIONS

GENERAL NOTES

1. The precast reinforced concrete flat slab top shall be used with INLET-MANHOLE, TYPE G-1 and INLET-MANHOLE, TYPE G-1, SPECIAL.
2. Joint configuration and dimensions of flat slab top shall match and fit the riser joint detail.
3. Lifting devices shall be approved by the Engineer.

All dimensions are in inches (millimeters) unless otherwise noted.

01-01-97	RENUM. B-4.07, NEW REVISION BOX	T.P.																			
10-16-06	REVISED TO 2007 SPEC.	M.A.																			
STATE OF ILLINOIS DEPARTMENT OF TRANSPORTATION										PRECAST REINFORCED CONCRETE FLAT SLAB TOP FOR INLET-MANHOLE, TYPE G-1 AND TYPE G-1, SPECIAL					F.A.P. RTE.	SECTION	COUNTY	TOTAL SHEETS	SHEET NO.		
										NOT TO SCALE					429	CADD STD. 602101-D4	399	36R-8	Tazewell	429	197
															CONTRACT NO. 68258						
															ILLINOIS FED. AID PROJECT						