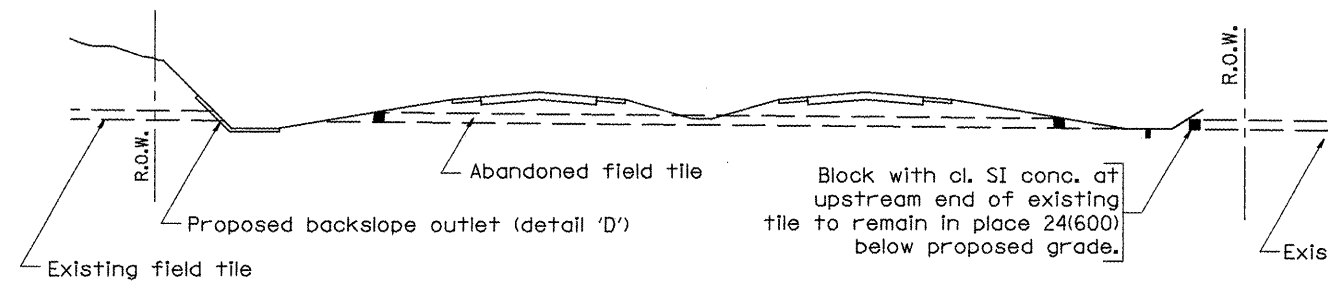
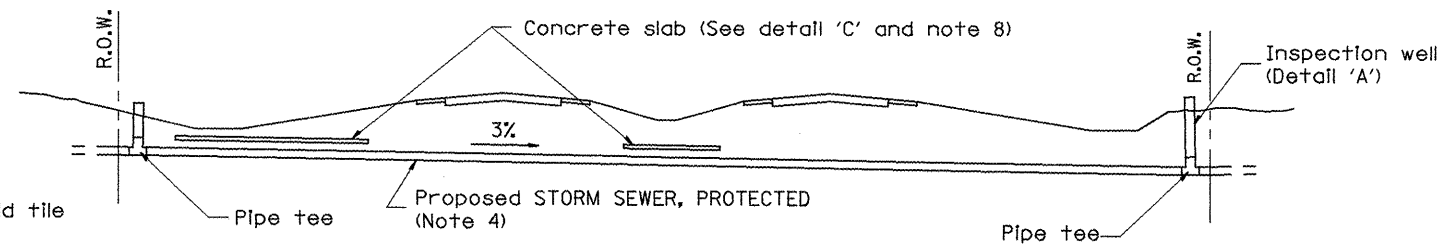


DESIGNER NOTES: USE THIS IN CONJUNCTION WITH SPECIAL PROVISION FOR "STORM SEWER, PROTECTED."



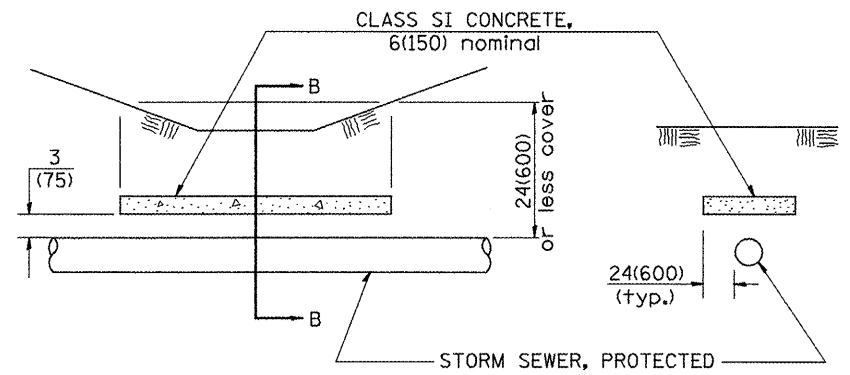
**METHOD 'A'**

Storm sewer flowline at 6(150) or more above proposed ditch flowline



**METHOD 'B'**

Storm sewers below proposed ditch flowline



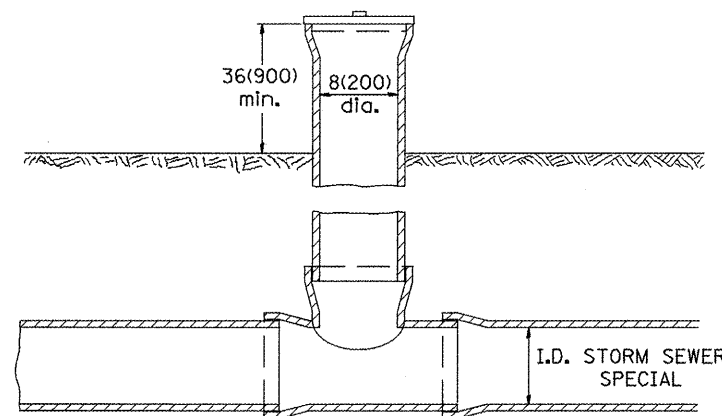
**ELEVATION**

**SECTION B-B**

**CONCRETE SLAB**  
Detail "C"

**GENERAL NOTES:**

1. Method 'A' is the preferred method of installation and should be used to minimize non-essential pipe crossing under pavement. The engineer should consider adjusting ditch elevations to accommodate the field tile outletting 6(150) above the ditch flowline.
2. Method 'B' shall be used only if ditch elevations cannot be adjusted to accommodate the use of method 'A'.
3. Abandoned field tile shall be plugged, as directed by the engineer, cost incidental.
4. Non-circular field tile shall be replaced with STORM SEWER, PROTECTED of at least the same cross sectional area. All existing field tile shall be replaced with storm sewer of the type required for the minimum depth of cover.
5. STORM SEWER, PROTECTED 8(200) shall be used for the inspection well and riser regardless of existing tile size. PVC pipe shall not be used for inspection wells.
6. Inspection wells shall be placed approximately 24(600) inside of both R.O.W. lines at the locations shown on the plans unless arrangements are made by the land acquisition unit to have the wells placed on the property owners side of the R.O.W.
7. The inspection well concrete lid shall be constructed of P.C. concrete CLASS SI CONCRETE and provide with a handle shaped from a #4 (#15) reinforcing bar.
8. The 6(150) concrete slab shall be poured the full length of the trench at the ditch flowline locations within the right of way with less than 24(600) of earth cover P.C. CONCRETE CLASS SI shall be used.
9. The existing field tile shall be connected to STORM SEWER, PROTECTED by a P.C. CONCRETE CLASS SI COLLAR as directed by the engineer.
10. Applicable portion of the Special Provision for STORM SEWER, PROTECTED apply.



**INSPECTION WELL**  
Detail "A"



**ALT. A**

**ALT. B**

**INSPECTION WELL CONCRETE LID**  
Detail "B"

All dimensions are in inches (millimeters) unless otherwise noted.

01-01-97	RENUM. A-18.02, NEW REVISION BOX, REVISED TITLE	T.P.			
	BOX				
06-01-97	REVISED DRAWING & TITLE BOX	J.A.			
10-16-06	REVISED TO 2007 SPEC.	M.A.			

STATE OF ILLINOIS  
DEPARTMENT OF TRANSPORTATION

STORM SEWER PROTECTED

NOT TO SCALE

429

CADD STD. 611001-D4

F.A.P. RTE.	SECTION	COUNTY	TOTAL SHEETS	SHEET NO.
399	36R-8	Tazewell	429	199
CONTRACT NO. 68258			ILLINOIS FED. AID PROJECT	