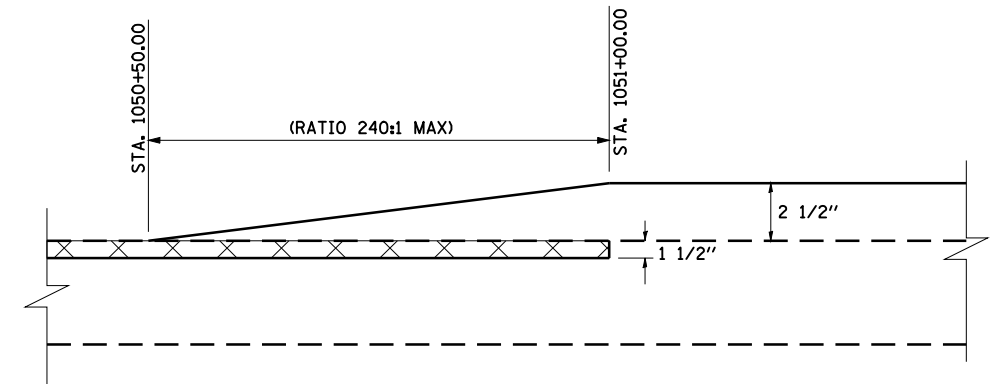
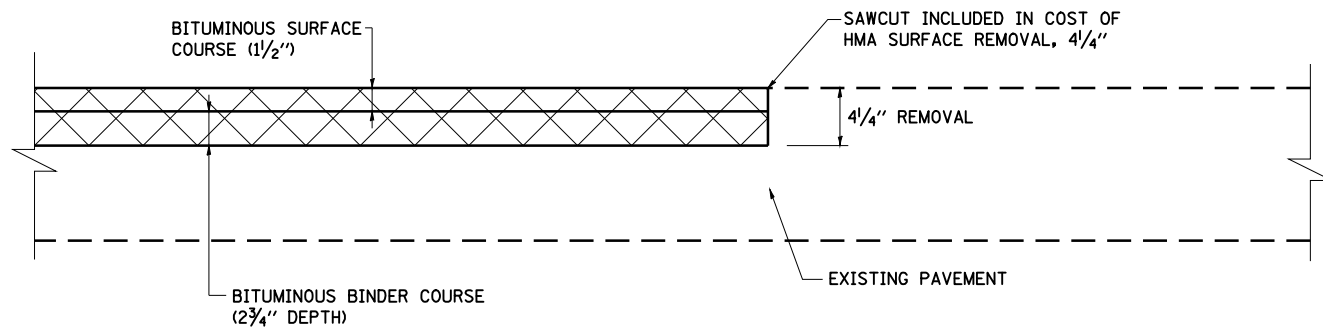


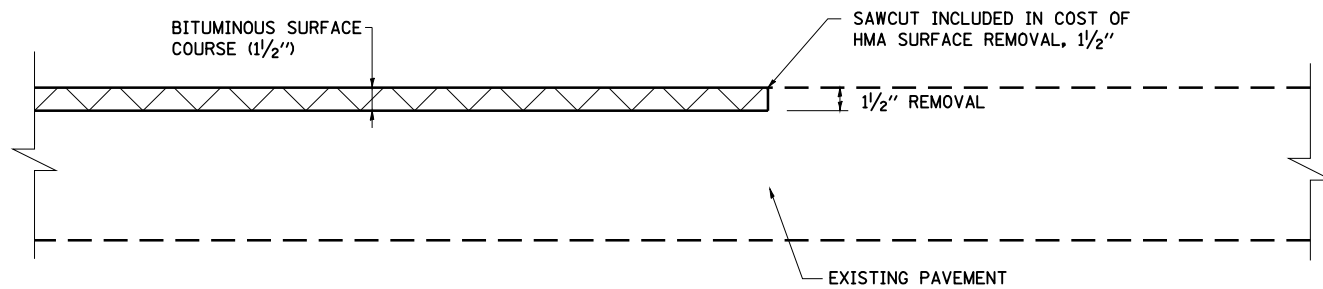
BUTT JOINT DETAIL



WEST FRONTAGE RD. TRANSITION



BUTT JOINT DETAIL - I-55



BUTT JOINT DETAIL - I-55

FILE NAME =	USER NAME = laughlinr1	DESIGNED -	REVISED -
et:\pwork\pwidot\LAUGHLINRL\0110282\roadway details.dgn		DRAWN -	REVISED -
	PLOT SCALE = 40.0000' / IN.	CHECKED -	REVISED -
	PLOT DATE = Dec-03-2008 07:34:27AM	DATE -	REVISED -

**STATE OF ILLINOIS
DEPARTMENT OF TRANSPORTATION**

ROADWAY DETAILS

SCALE: SHEET NO. 1 OF 1 SHEETS STA. TO STA.

F.A. RTE.	SECTION	COUNTY	TOTAL SHEETS	SHEET NO.
•	68-4B-1 & 111BR	MONTGOMERY	145	37
•	FAI 55 & FAS 1769	CONTRACT NO. 72A63		
FED. ROAD DIST. NO.		ILLINOIS FED. AID PROJECT		