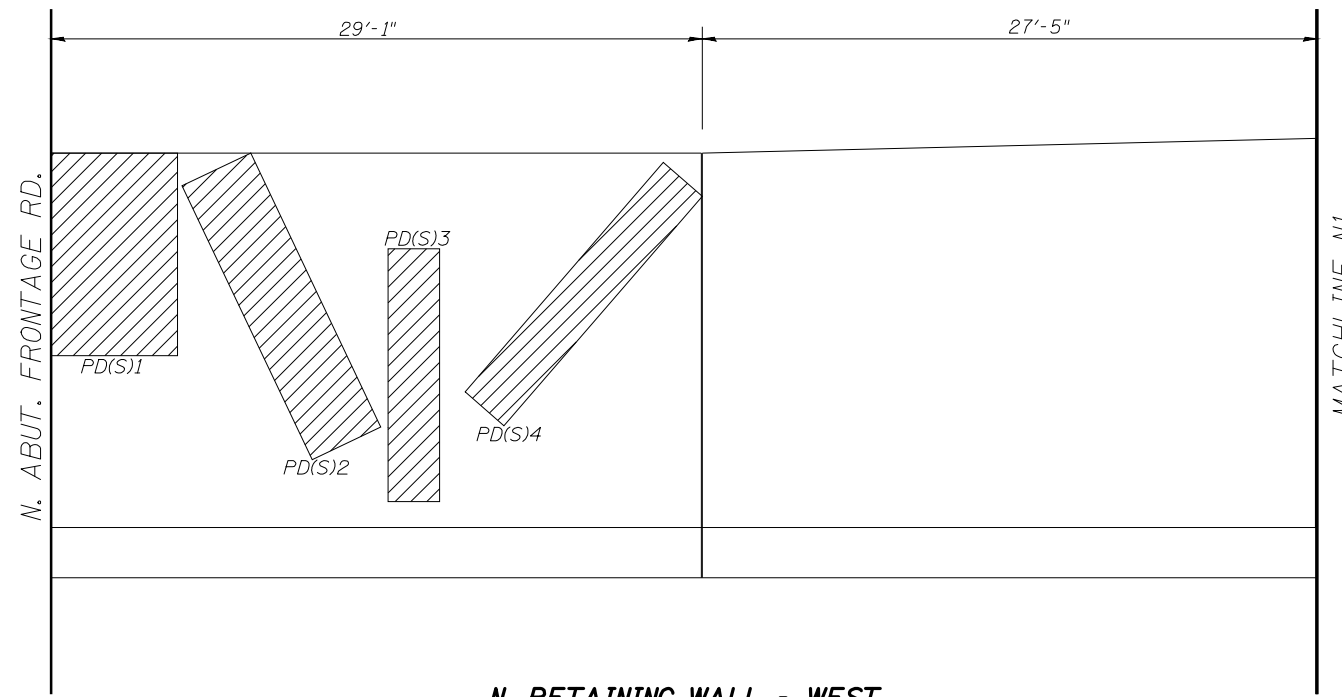
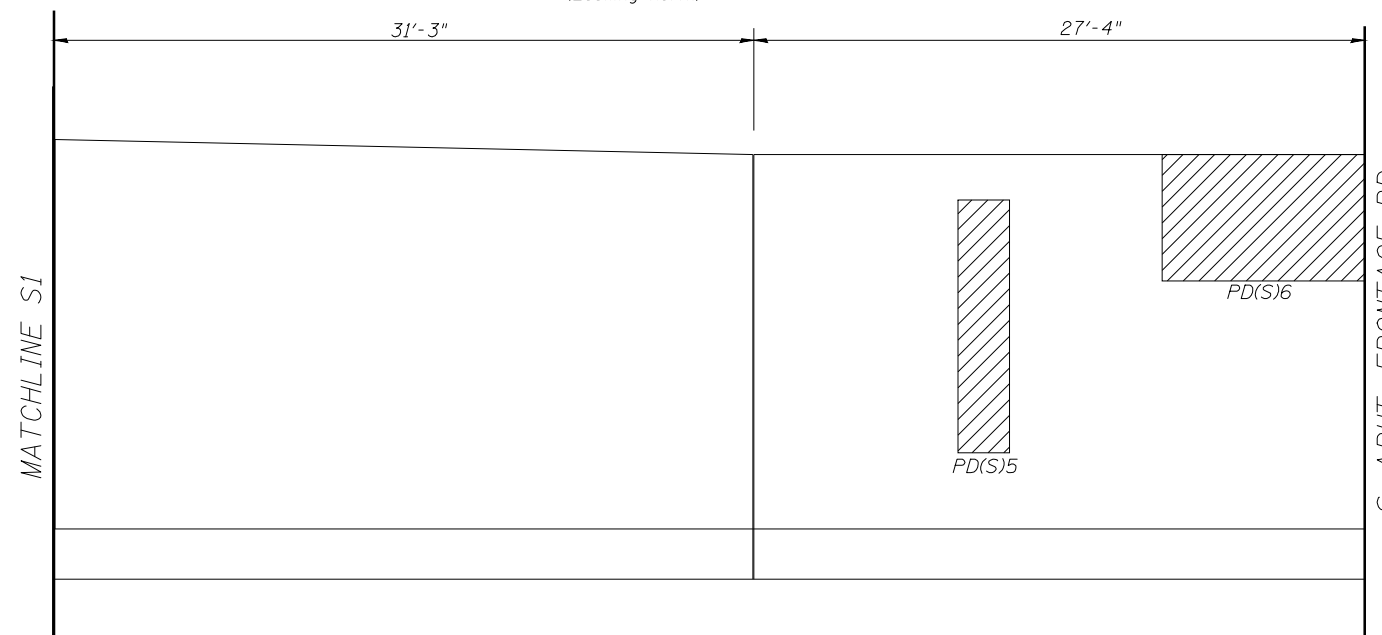


Contract #72032



**N. RETAINING WALL - WEST**  
(Looking North)



**S. RETAINING WALL - WEST**  
(Looking South)

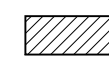
**Structural Repair of Concrete**  
(Depth Equal to or Less than 5")

Patch	Length (Ft)	Width (Ft)	Area (Sq Ft)
PD(S)1	8	5	40
PD(S)2	12	3	36
PD(S)3	10	2	20
PD(S)4	12	2	24
PD(S)5	10	2	20
PD(S)6	5	8	40
PD(S)7	10	2	20
PD(S)8	15	3	45
PD(S)9	10	10	100
PD(S)10	6	2	12
PD(S)11	10	2	20
PD(S)12	10	3	30

**BILL OF MATERIAL**

ITEM	UNIT	TOTAL
Structural Repair of Concrete (Depth Equal to or Less Than 5")	Sq. Ft.	407

**LEGEND**

 Structural Repair of Concrete (Depth Equal To or Less Than 5")

ILLINOIS DEPARTMENT OF TRANSPORTATION  
**ABUTMENT & RETAINING WALL**  
**CONCRETE REPAIR SHEET 1 OF 4**  
**I 55 OVER MACOUPIN CREEK**  
**F.A.I. ROUTE 55 - SEC. (68-4)F**  
**MONTGOMERY COUNTY**  
**STATION 1066+03.18**  
**STRUCTURE NO. 068-0038 N.B.**  
**STRUCTURE NO. 068-0039 S.B.**

DATE: 04-08  
REVISED:  
DRAWN BY: MLO  
CHECKED BY: PBB