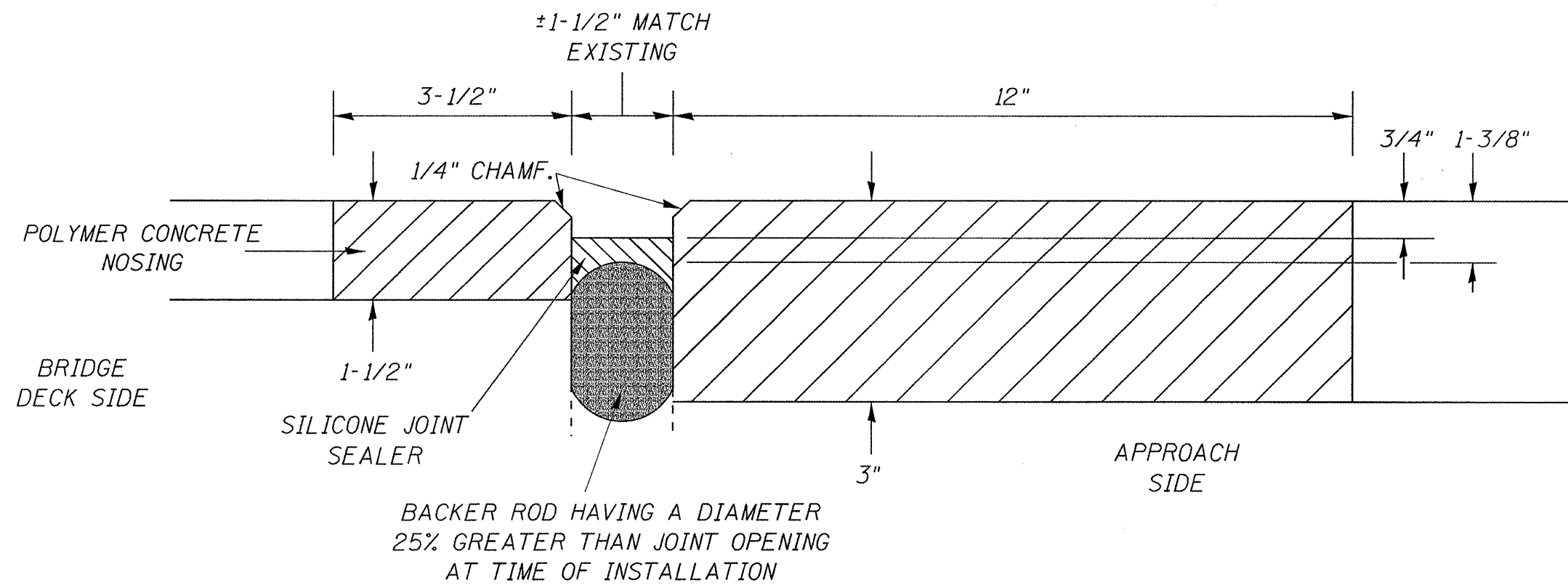


NOTES:

ALL WORK INVOLVED IN SAWING AND REMOVING BITUMINOUS SURFACE AND THE EXISTING NEOPRENE JOINT MATERIAL SHALL BE INCLUDED IN THE CONTRACTOR'S BID PRICE FOR POLYMER CONCRETE.



PROPOSED JOINT X-SEC

BRIDGE APPROACH DETAILS
FAI 55 (I-55)
SECT. (84-2-1.84-2-2)D-6 PATCHING-1
SANGAMON COUNTY