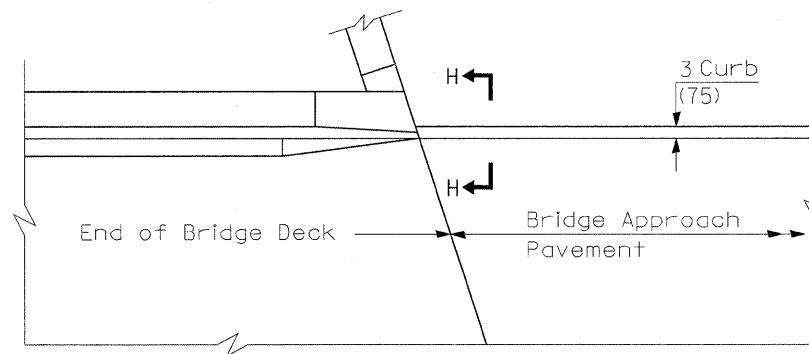
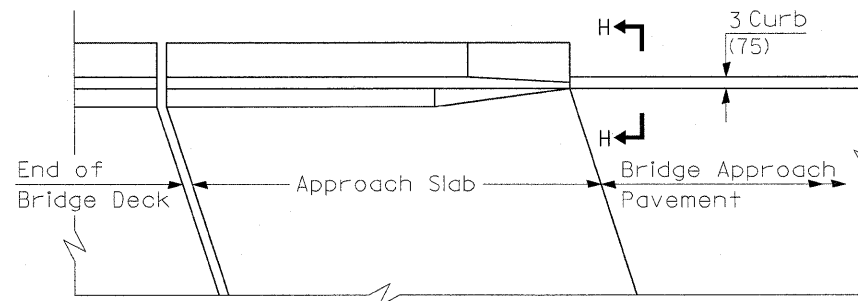


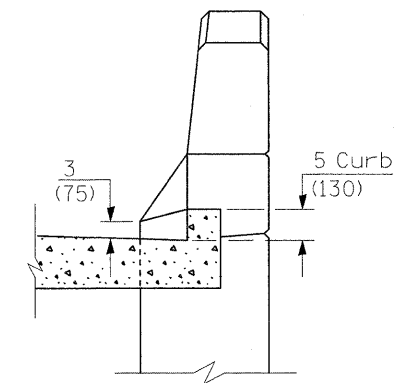
PARAPET TO CURB TRANSITION
PILE BENT ABUTMENT



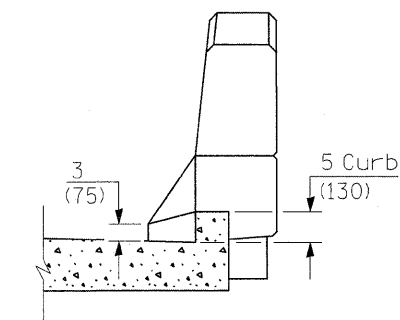
PARAPET TO CURB TRANSITION
INTEGRAL ABUTMENT



PARAPET TO CURB TRANSITION
VAULTED ABUTMENT



SECTION I - I



SECTION H - H

FILE NAME =	USER NAME = steffennk	DESIGNED -	REVISED -
at:\pwork\PWIDDT\STEFFENK\dns52451\st	t-details_74145.dgn	DRAWN -	REVISED -
	PLOT SCALE = 1/8" = 1' IN	CHECKED -	REVISED -

STATE OF ILLINOIS
DEPARTMENT OF TRANSPORTATION

BRIDGE APPROACH PAVEMENT DETAILS

F.A.S. RTE.	SECTION	COUNTY	TOTAL SHEETS	SHEET NO.
1536	125BR	MACON	45	11C