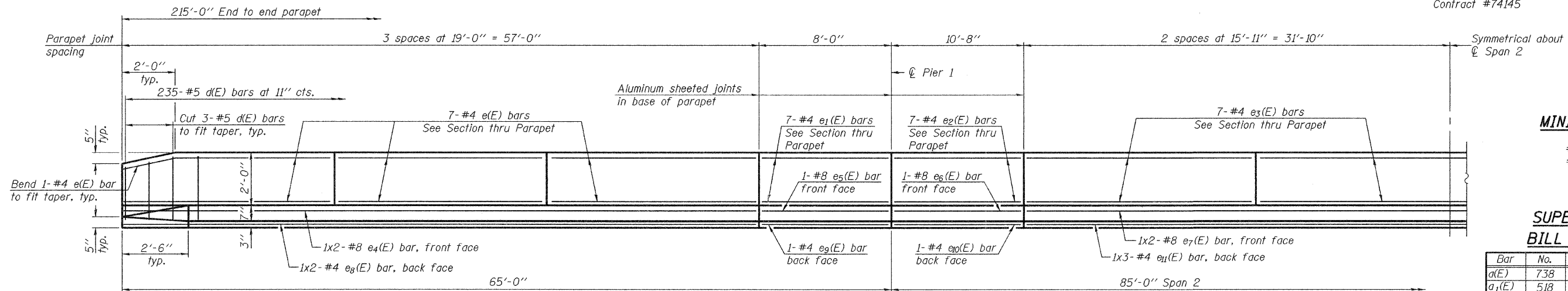


STATE OF ILLINOIS
DEPARTMENT OF TRANSPORTATION

ROUTE NO.	SECTION	COUNTY	STATION	SHEET	SHEET NO. 13 29 SHEETS
FAS 1536	125BR	Macon	45	25	
FED. ROAD DIST. NO. 7		ILLINOIS	FED. AID PROJECT		

Contract #74145

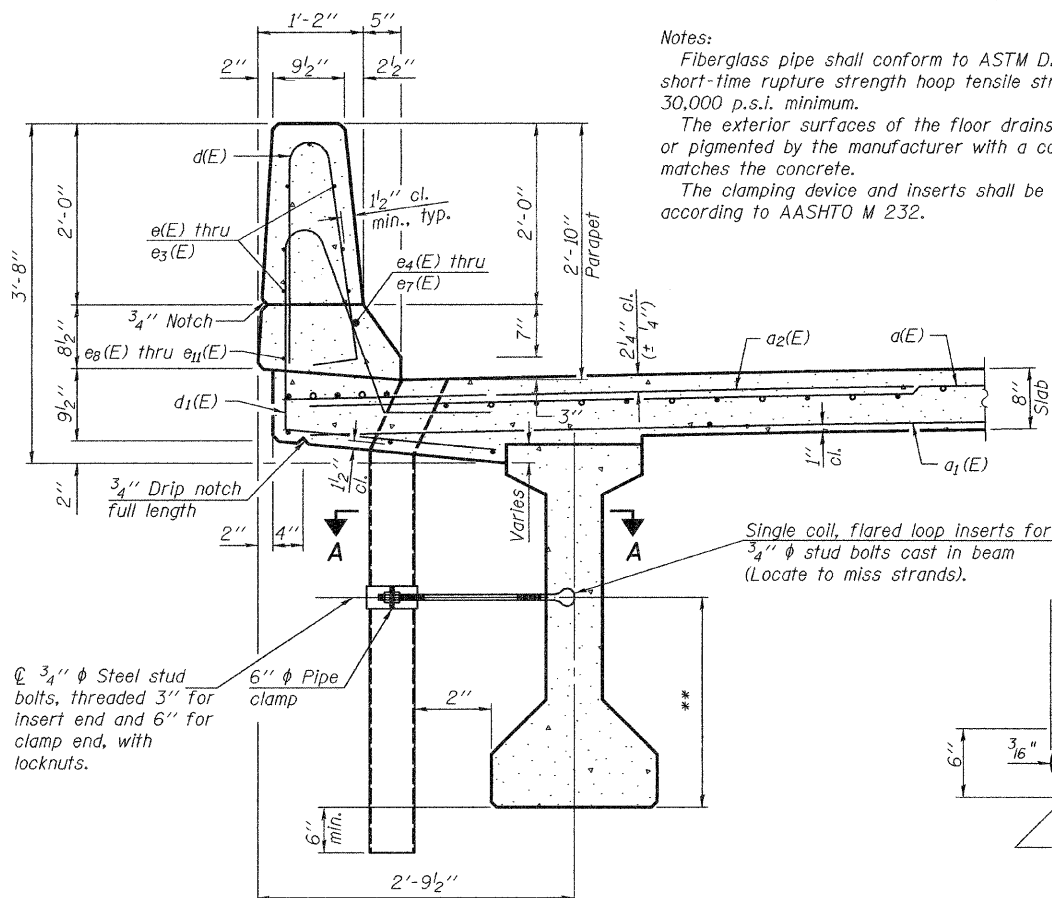


MINIMUM BAR LAP
(Parapet)
#4 bar = 1'-4"
#8 bar = 3'-5"

**SUPERSTRUCTURE
BILL OF MATERIAL**

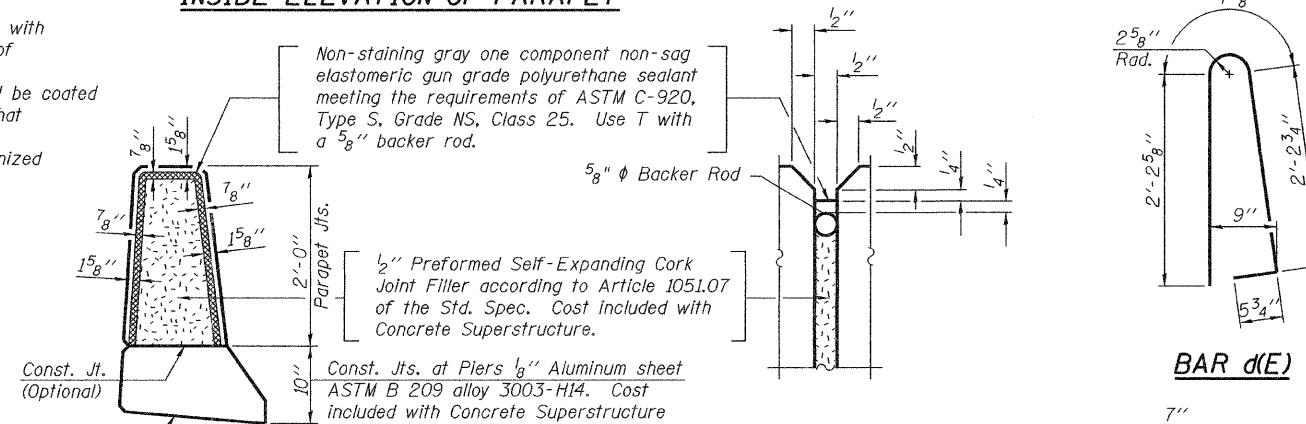
Bar	No.	Size	Length	Shape
a(E)	738	#5	17'-1"	—
a1(E)	518	#5	16'-3"	—
a2(E)	738	#6	6'-0"	—
b(E)	304	#5	28'-9"	—
b1(E)	140	#6	38'-9"	—
b2(E)	288	#5	25'-10"	—
d(E)	470	#5	5'-7"	—
d1(E)	470	#5	7'-3"	—
e(E)	84	#4	18'-8"	—
e1(E)	28	#4	7'-8"	—
e2(E)	28	#4	10'-4"	—
e3(E)	56	#4	15'-7"	—
e4(E)	8	#8	30'-1"	—
e5(E)	4	#8	7'-8"	—
e6(E)	4	#8	10'-4"	—
e7(E)	4	#8	33'-6"	—
e8(E)	8	#4	29'-2"	—
e9(E)	4	#4	7'-8"	—
e10(E)	4	#4	10'-4"	—
e11(E)	6	#4	22'-0"	—
m(E)	8	#6	16'-5"	—
m1(E)	12	#6	17'-3"	—
m2(E)	24	#6	7'-7"	—
m3(E)	24	#6	3'-9"	—
m4(E)	4	#6	1'-7"	—
m5(E)	12	#6	1'-9"	—
m6(E)	32	#4	5'-0"	—
m7(E)	16	#4	2'-4"	—
m8(E)	8	#8	5'-10"	—
m9(E)	4	#8	3'-1"	—
s(E)	64	#5	6'-9"	—
s1(E)	56	#4	11'-8"	—
s2(E)	44	#4	11'-4"	—
v(E)	68	#5	3'-4"	—
Reinforcement Bars, Epoxy Coated	Lbs.	66,050		
Concrete Superstructure	Cu. Yds.	286		

Bars indicated thus 1 x 2-#5 etc. indicates 1 line of bars with 2 lengths per line.



Notes:
Fiberglass pipe shall conform to ASTM D2996, with short-time rupture strength hoop tensile stress of 30,000 p.s.i. minimum.
The exterior surfaces of the floor drains shall be coated or pigmented by the manufacturer with a color that matches the concrete.
The clamping device and inserts shall be galvanized according to AASHTO M 232.

INSIDE ELEVATION OF PARAPET

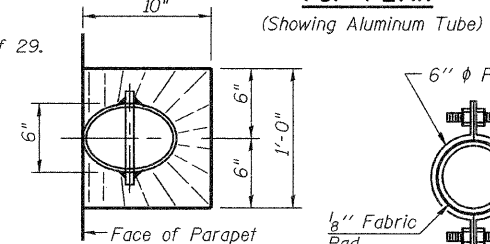


PARAPET JOINT DETAILS

SECTION THRU PARAPET

**For insert locations See sheet 17 and 19 of 29.

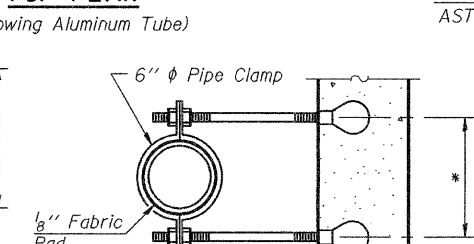
TOP PLAN
(Showing Aluminum Tube)



TOP PLAN
(Showing Tube Section)

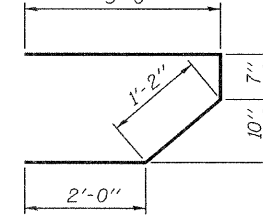


SECTION A-A

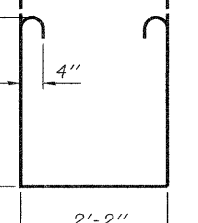


SECTION A-A
*Dimension as required by Pipe Clamp

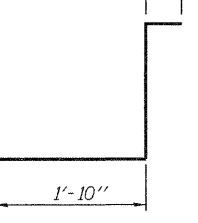
BAR s(E)



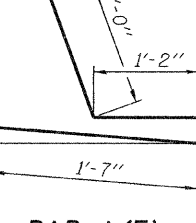
BAR s1(E)



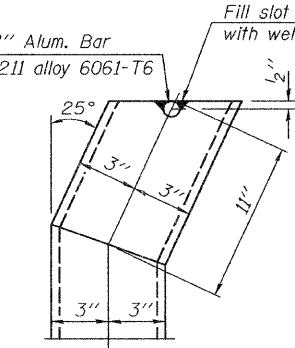
BAR s2(E)



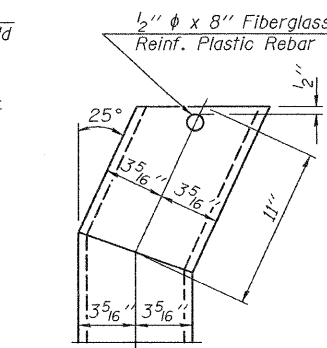
BAR d1(E)



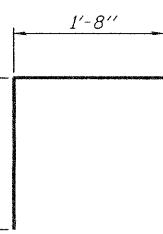
ALUMINUM TUBE



FIBERGLASS PIPE



BAR v(E)



SUPERSTRUCTURE DETAILS
F.A.S. ROUTE 1536 - SEC. 125BR
MACON COUNTY
STATION 616+26.50
STRUCTURE NO. 058-0132

DESIGNED	Ray Ahanchi
CHECKED	Nick Barnett
DRAWN	BECKY M. LEACH
CHECKED	GRA & NRB

November 14, 2008
EXAMINED *Thomas J. Donagale*
PASSED *Ralph E. Anderson*
ENGINEER OF BRIDGE DESIGN
ENGINEER OF BRIDGES AND STRUCTURES