

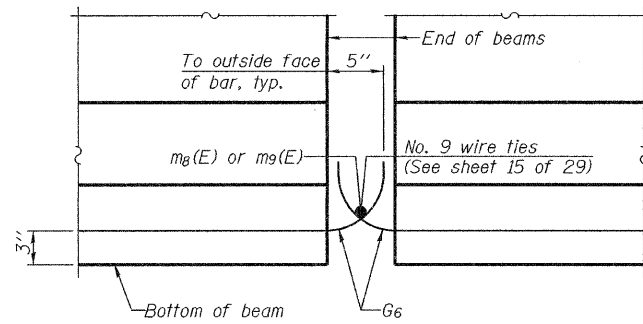
STATE OF ILLINOIS
DEPARTMENT OF TRANSPORTATION

ROUTE NO.	SECTION	COUNTY	TOTAL SHEETS	SHEET NO.	SHEET NO. 20 29 SHEETS
FAS 1536	I25BR	Macon	45	32	
FED. ROAD DIST. NO. 7		ILLINOIS	FED. AID PROJECT		

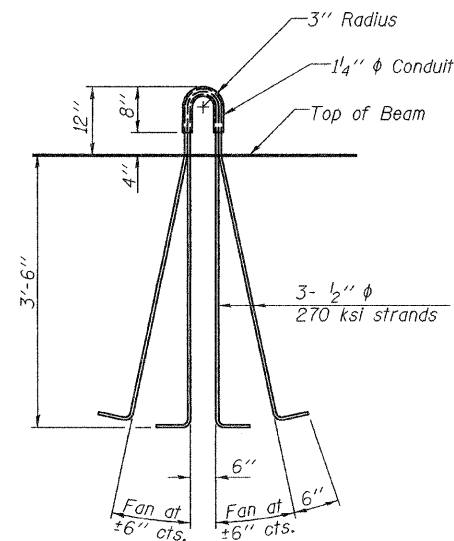
Contract #74145

NOTES

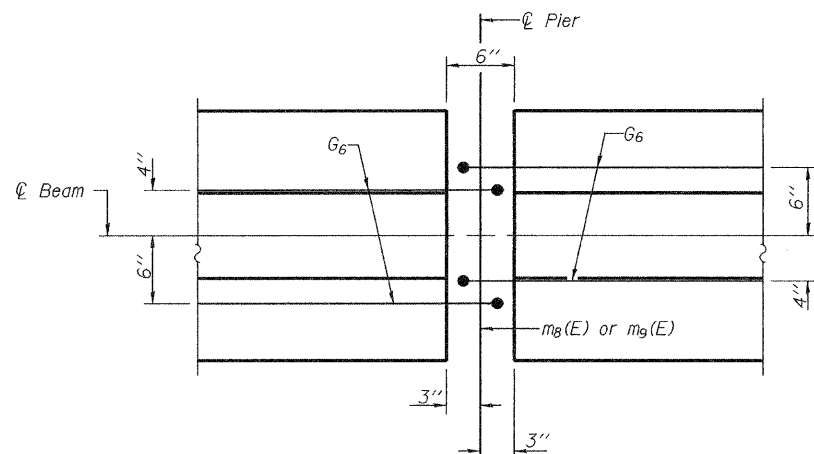
- Inserts for $\frac{3}{4}$ " ϕ threaded dowel rods, when specified, are to be two strut, coil type for interior beams and single coil, flared loop type for exterior beams.
- Prestressing steel shall be uncoated high strength, low relaxation 7-wire strand, Grade 270.
- The nominal diameter shall be $\frac{1}{2}$ " and the nominal cross-sectional area shall be 0.153 sq. in.
- Non-prestressing steel shall conform to ASTM A 706, Grade 60.
- A minimum $2\frac{1}{2}$ " ϕ lifting pin shall be used to engage the lifting loops during handling.
- Cut G_6 bars when necessary to maintain $1\frac{1}{2}$ " clearance.
- The top and bottom plates shall be AASHTO M270 Grade 50.
- The bottom plates and studs shall be galvanized according to AASHTO M111
- Threaded rods shall be ASTM F 1554 Grade 55.



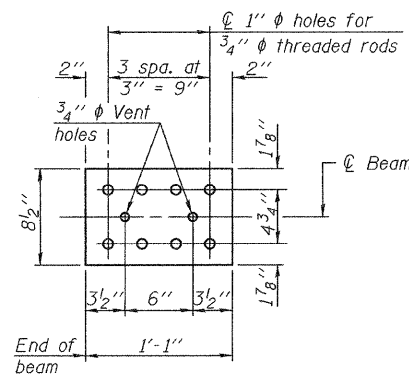
ELEVATION OF BEAM AT PIER



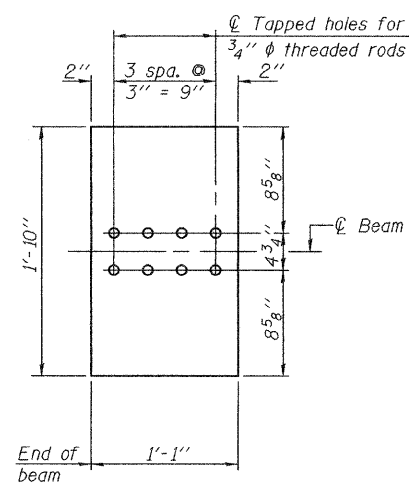
LIFTING LOOP DETAIL



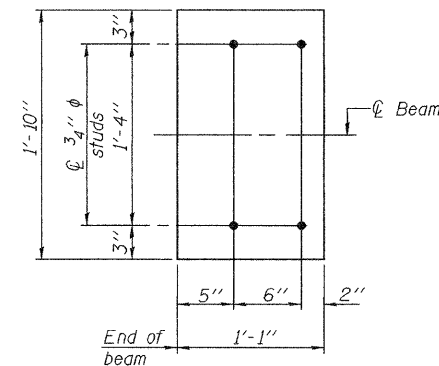
PLAN OF BEAM AT PIER



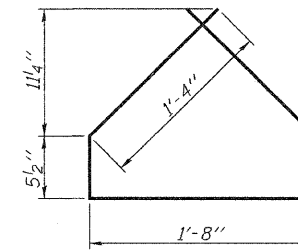
TOP PLATE



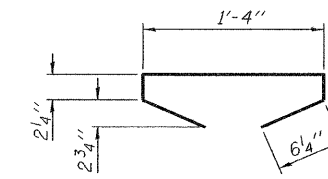
BOTTOM PLATE
(Showing threaded rods)



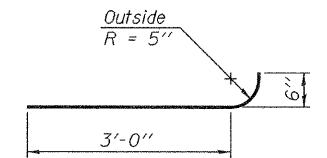
BOTTOM PLATE
(Showing studs)



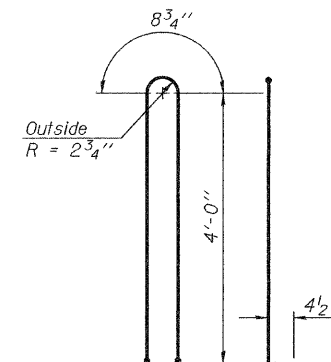
BAR G4



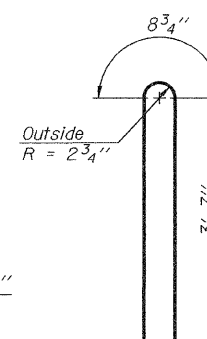
BAR G5



BAR G6



BAR G1



BAR G2

BILL OF MATERIAL

Item	Unit	Total
Furnishing and Erecting Precast Prestressed Concrete I-Beams, 48"	Ft.	507

48" PPC I-BEAM DETAILS SPAN 2
F.A.S. ROUTE 1536 - SEC. I25BR
MACON COUNTY
STATION 616+26.50
STRUCTURE NO. 058-0132

DESIGNED	Ray Ahanchi
CHECKED	Nick Barnett
DRAWN	BECKY M. LEACH
CHECKED	GRA & NRB

EXAMINED	Thomas J. Domagala	November 14, 2008
PASSED	Ralph E. Anderson	

See bearing details for pintle hole locations when required.