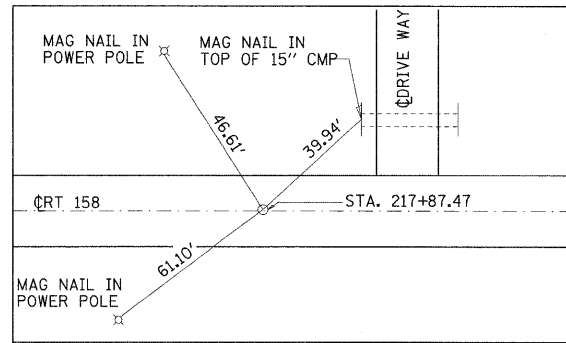
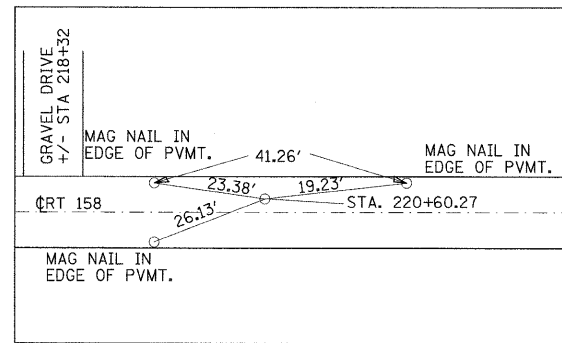


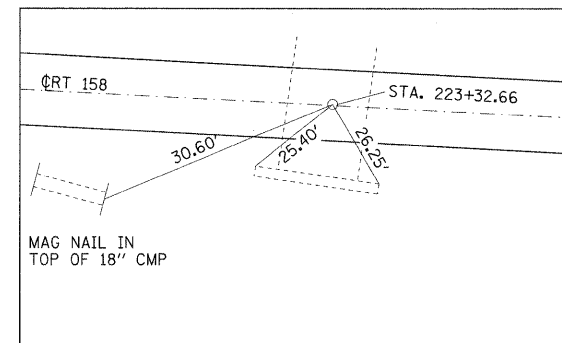
F.A.P. RTE.	SECTION	COUNTY	TOTAL SHEETS	SHEET NO.
809	(133,134)RS-4,135RS-5	ST. CLAIR, MONROE	252	30
STA. _____		TO STA. _____		
FED. ROAD DIST. NO. _____		ILLINOIS FED. AID PROJECT		



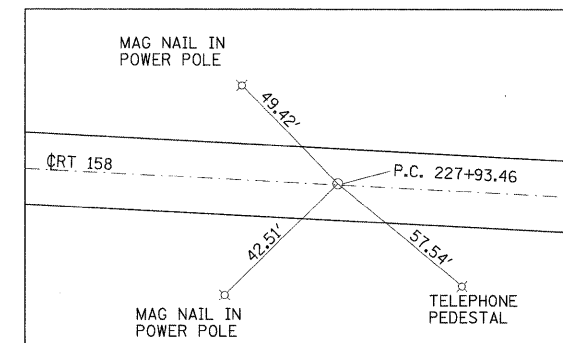
TIES TO P.C.  
STA. 217+87.47  
MAG NAIL  
N 646174.9984  
E 2301840.1327



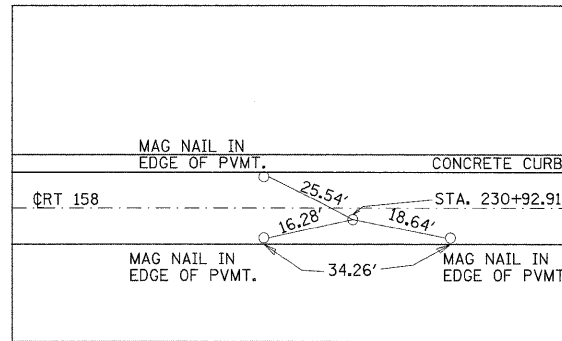
TIES TO P.I.  
STA. 220+60.27  
MAG NAIL  
N 646171.9536  
E 2302112.9180



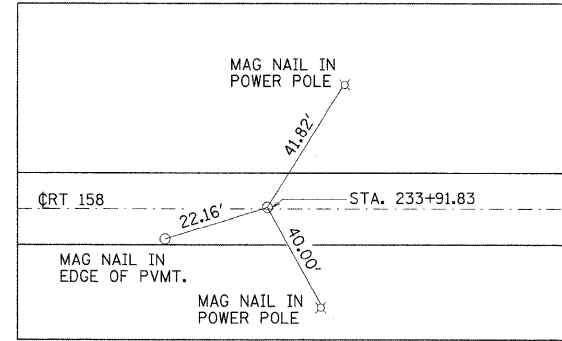
TIES TO P.T.  
STA. 223+32.66  
MAG NAIL  
N 646143.0057  
E 2302384.1802



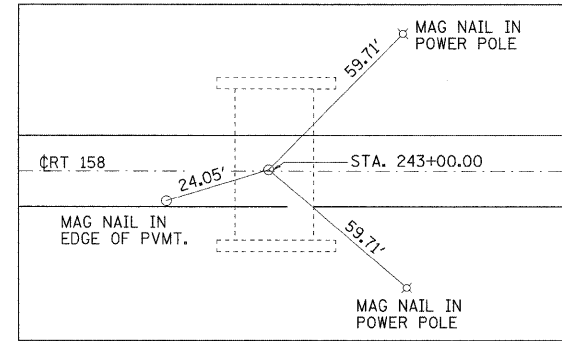
TIES TO P.C.  
STA. 227+93.46  
MAG NAIL  
N 646094.1092  
E 2302842.3751



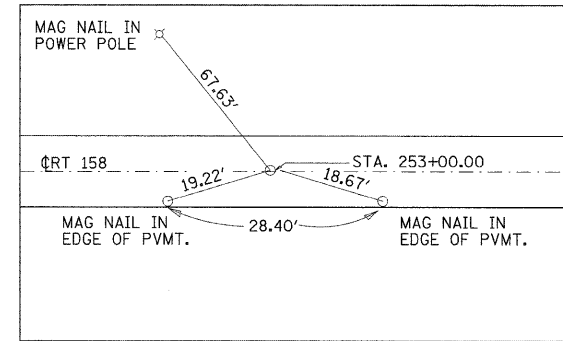
TIES TO P.I.  
STA. 230+92.91  
MAG NAIL  
N 646062.3328  
E 2303140.1426



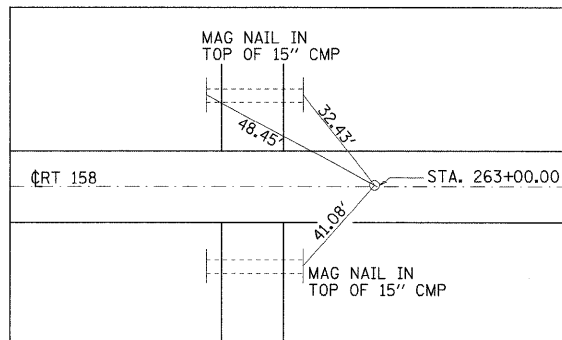
TIES TO P.T.  
STA. 233+91.83  
MAG NAIL  
N 646061.7698  
E 2303439.6002



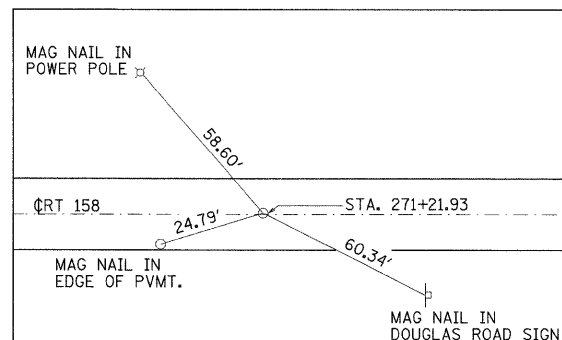
TIES TO CL POINT  
STA. 243+00.00  
MAG NAIL  
N 646060.0633  
E 2304347.7719



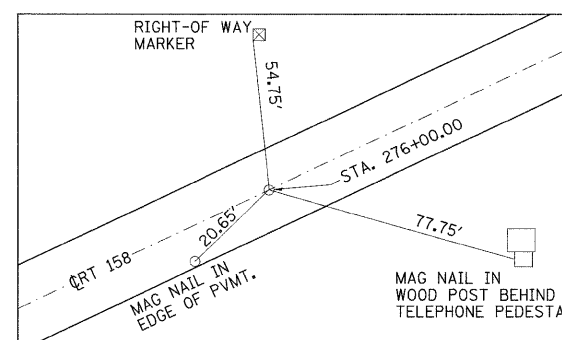
TIES TO CL POINT  
STA. 253+00.00  
MAG NAIL  
N 646058.1837  
E 2305347.7702



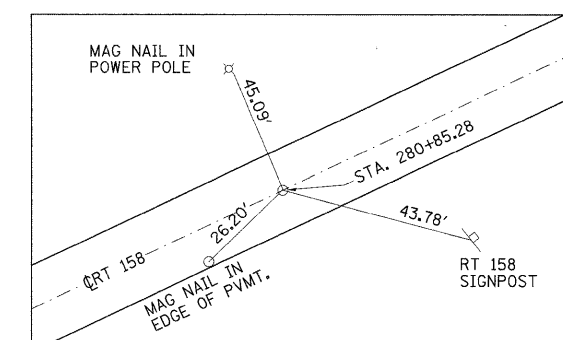
TIES TO CL POINT  
STA. 263+00.00  
MAG NAIL  
N 646056.3040  
E 2306347.7684



TIES TO P.C.  
STA. 271+21.93  
MAG NAIL  
N 646054.7580  
E 2307639.6940



TIES TO CL POINT  
STA. 276+00.00  
MAG NAIL  
N 646131.2843  
E 2307639.4510



TIES TOP P.T.  
STA. 280+85.28  
MAG NAIL  
N 646358.9140  
E 2308065.5170

PLOT DATE = #DATE#  
FILE NAME = #FILE#  
PLOT SCALE = #SCALE#  
REFERENCE = #REF#

REVISIONS	
NAME	DATE

ILLINOIS DEPARTMENT OF TRANSPORTATION  
ALIGNMENT TIES  
& BECHMARKS  
FAP ROUTE 809 (IL RTE. 158)  
SECTION (133, 134)RS-4, 135RS-5  
ST. CLAIR AND MONROE COUNTY  
SCALE: VERT. \_\_\_\_\_  
          HORIZ. \_\_\_\_\_  
DATE \_\_\_\_\_ DRAWN BY \_\_\_\_\_  
                  CHECKED BY \_\_\_\_\_