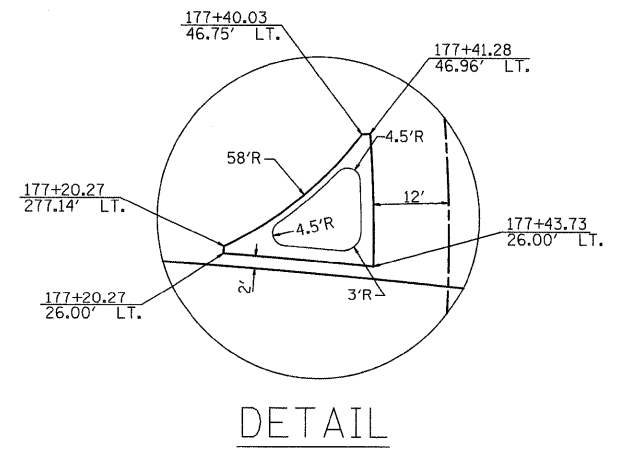
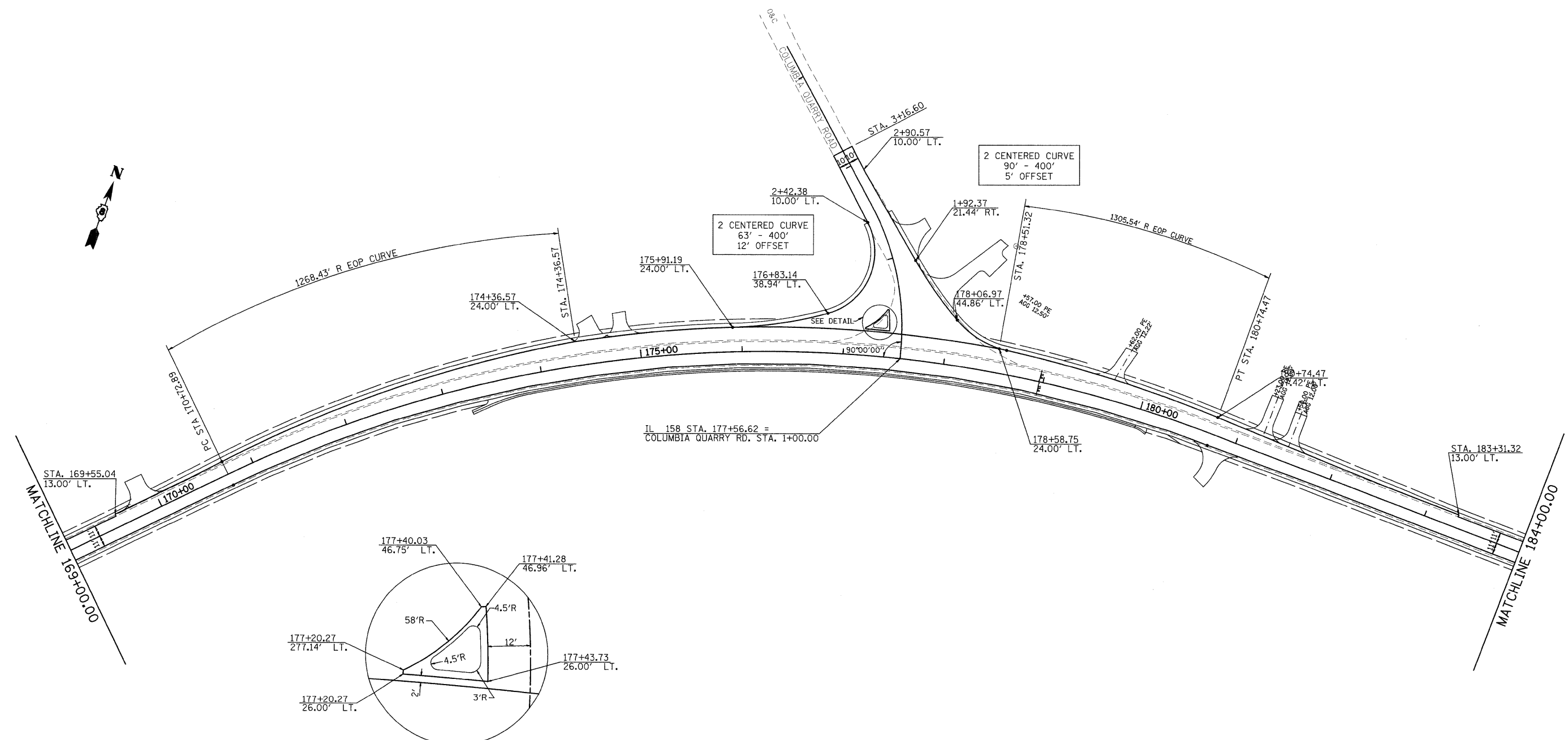


F.A.P. RTE.	SECTION	COUNTY	TOTAL SHEETS	SHEET NO.
809	(133,134)RS-4,135RS-5	ST. CLAIR, MONROE	252	53
STA.		TO STA.		
FED. ROAD DIST. NO.		ILLINOIS FED. AID PROJECT		



REVISIONS	
NAME	DATE

ILLINOIS DEPARTMENT OF TRANSPORTATION
**COLUMBIA QUARRY RD.
 INTERSECTION DETAIL**
 FAP ROUTE 809 (IL RTE. 158)
 SECTION (133, 134)RS-4, 135RS-5
 ST. CLAIR AND MONROE COUNTY

PLOT DATE = 1/7/2009
 FILE NAME = c:\p\acrk\p\DOT\KARLASAL\dmal225\geom\tr1081\82a.dgn
 PLOT SCALE = 62.9412 / IN.
 USER NAME = karlasal