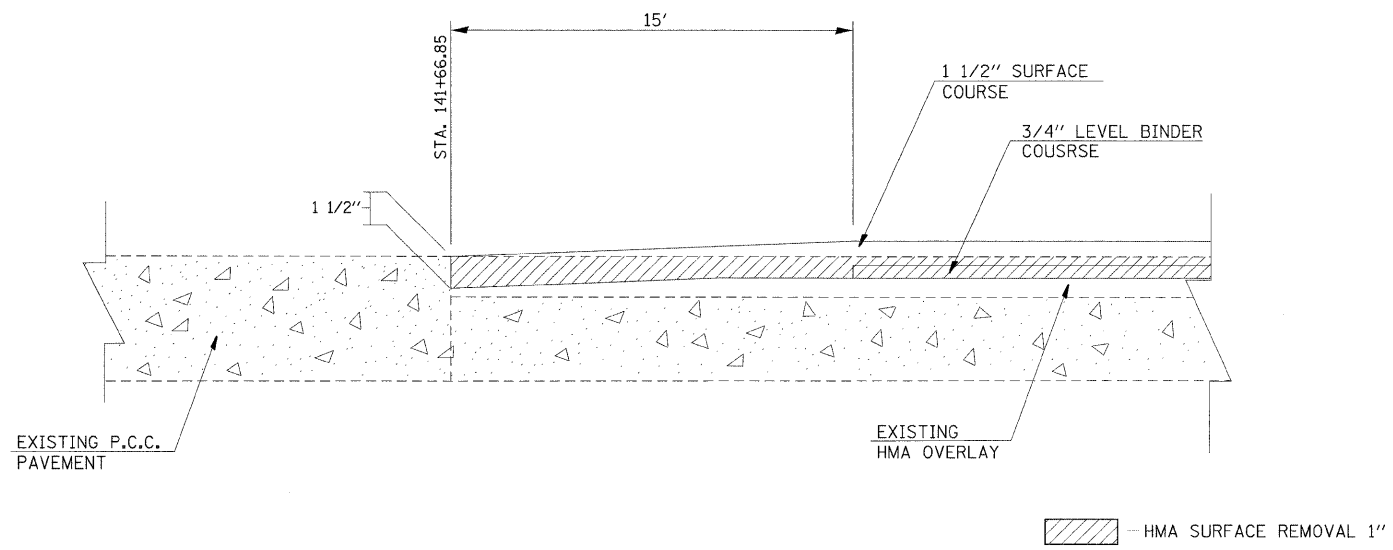
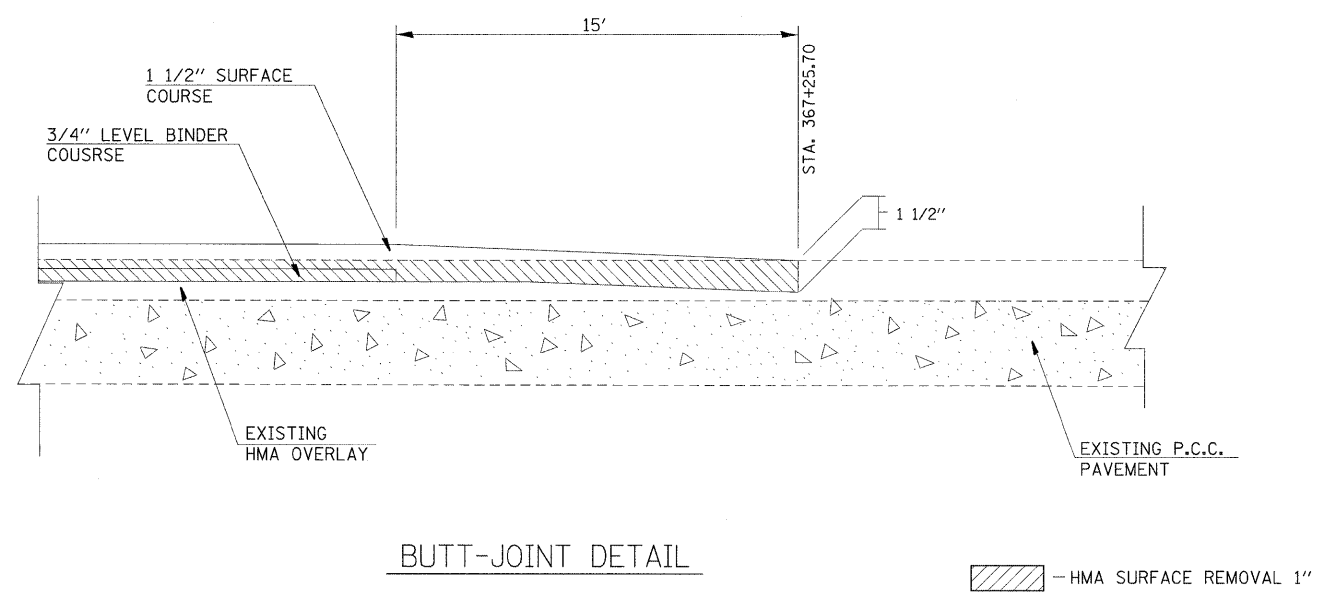


F.A.P. RTE.	SECTION	COUNTY	TOTAL SHEETS	SHEET NO.
809	(133,134)RS-4,135RS-5	ST. CLAIR, MONROE	252	106
STA. _____		TO STA. _____		
FED. ROAD DIST. NO. _____		ILLINOIS	FED. AID PROJECT	



BUTT-JOINT DETAIL



BUTT-JOINT DETAIL

PLOT DATE = 1/8/2009  
 FILE NAME = c:\p\work\VP\DOT\KARLASAL\dm61225\pln01982e.dgn  
 PLOT SCALE = 02.9412 / IN.  
 REFERENCE = REF#

REVISIONS		ILLINOIS DEPARTMENT OF TRANSPORTATION MISC. DETAILS
NAME	DATE	
		FAP ROUTE 809 (IL RTE. 158) SECTION (133, 134)RS-4, 135RS-5 ST. CLAIR AND MONROE COUNTY
SCALE:	VERT. _____	DRAWN BY _____
DATE	HORIZ. _____	