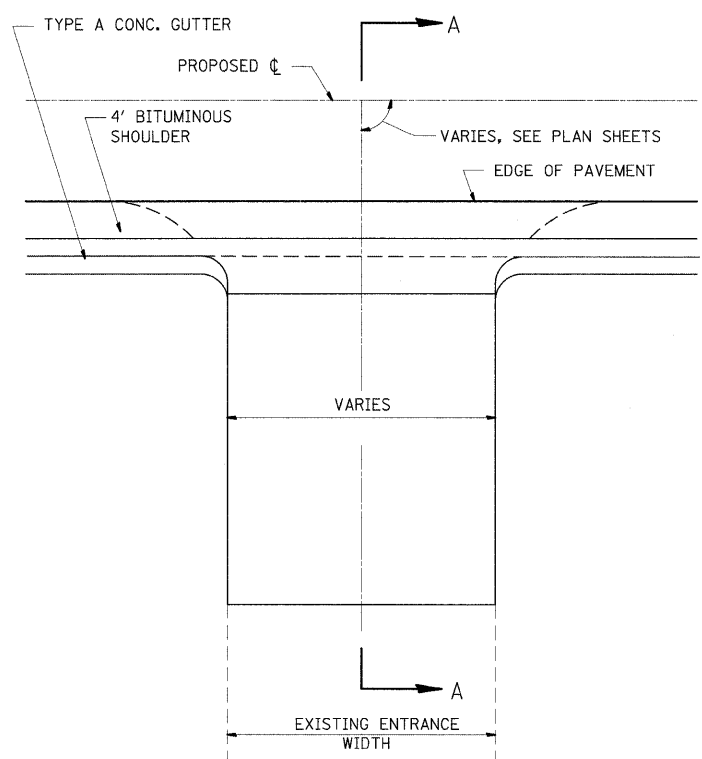
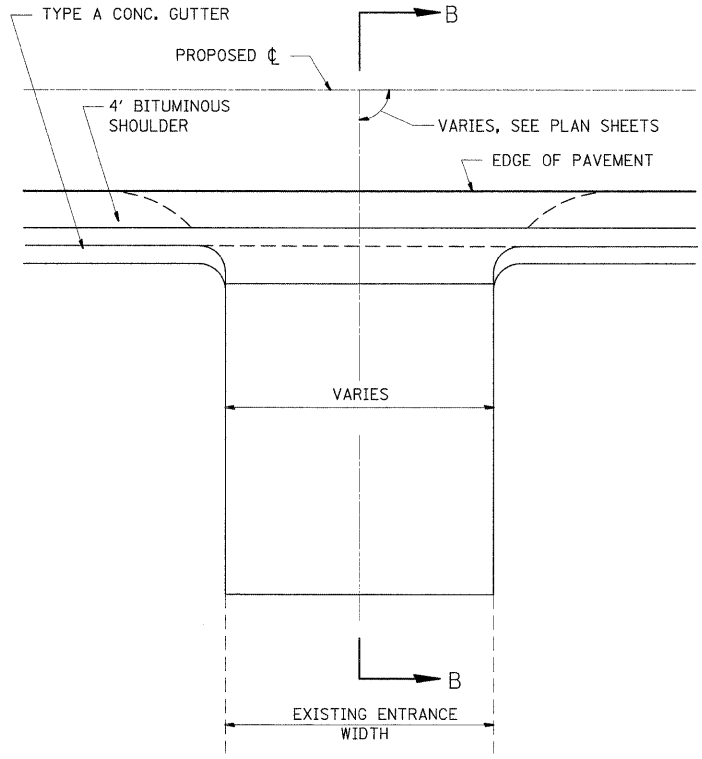


F.A.P. RTE.	SECTION	COUNTY	TOTAL SHEETS	SHEET NO.
809	(133,134)RS-4,135RS-5	ST. CLAIR, MONROE	252	109
STA. _____		TO STA. _____		
FED. ROAD DIST. NO. _____		ILLINOIS FED. AID PROJECT		



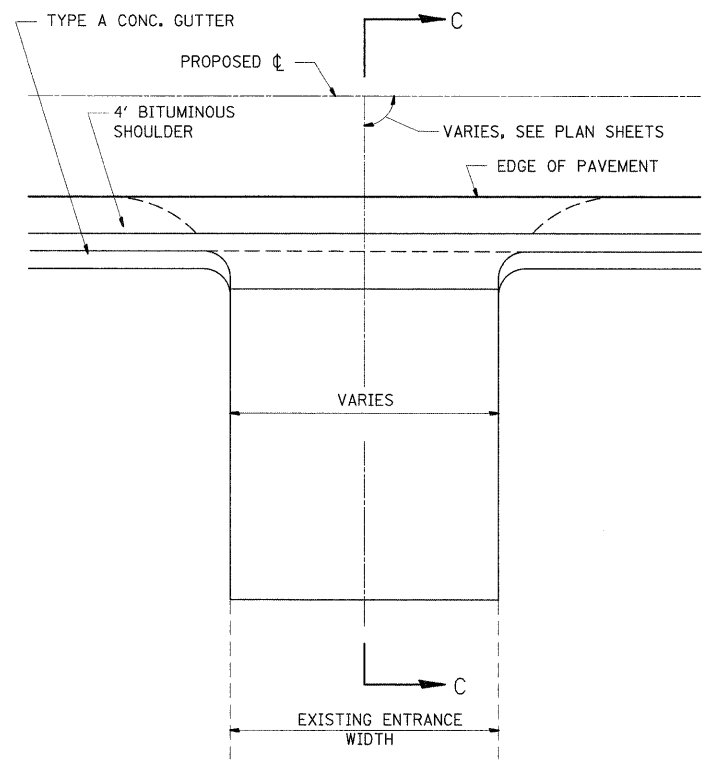
PE DETAIL A

PRIVATE ENTRANCE ADJACENT TO COMBINATION BITUMINOUS AND AGGREGATE SHOULDERS



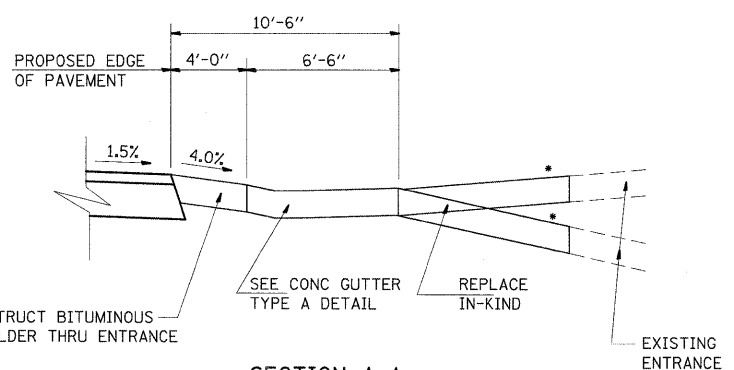
SR & CE DETAIL B

COMMERCIAL ENTRANCE ADJACENT TO COMBINATION BITUMINOUS AND AGGREGATE SHOULDERS



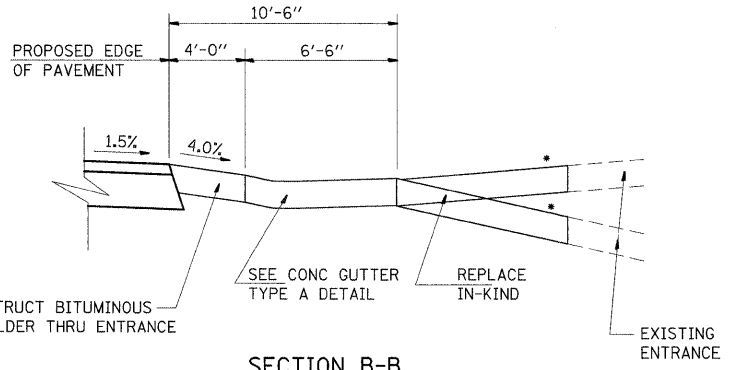
FE DETAIL C

FIELD ENTRANCE ADJACENT TO COMBINATION BITUMINOUS AND AGGREGATE SHOULDERS



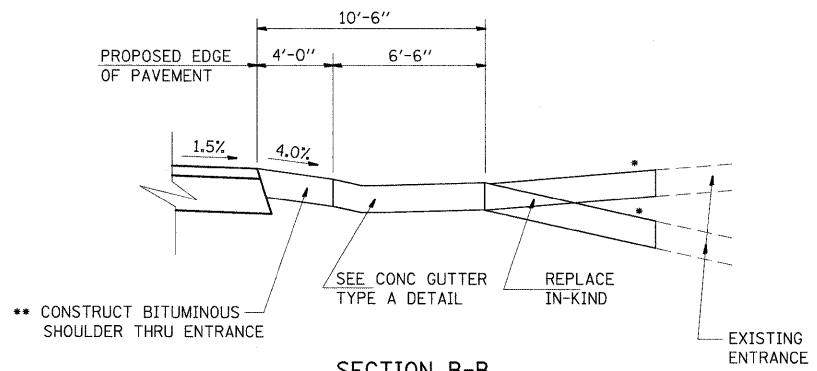
SECTION A-A

- SEE CROSS SECTIONS FOR SLOPE
- OMIT AT CONCRETE ENTRANCES
- EXISTING CONCRETE GETS PROPOSED CONCRETE TO EDGE OF PAVEMENT



SECTION B-B

- SEE CROSS SECTIONS FOR SLOPE
- OMIT AT CONCRETE ENTRANCES
- EXISTING CONCRETE GETS PROPOSED CONCRETE TO EDGE OF PAVEMENT



SECTION B-B

- SEE CROSS SECTIONS FOR SLOPE
- OMIT AT CONCRETE ENTRANCES
- EXISTING CONCRETE GETS PROPOSED CONCRETE TO EDGE OF PAVEMENT

TYPE OF ENTRANCE	EXISTING MATERIAL	NEW ENTRANCE MATERIAL (DESIGNATED AS REPLACE IN-KIND)					
		PCC DRIVEWAY PAVEMENT (6")	PCC DRIVEWAY PAVEMENT (8")	INCIDENTAL BITUMINOUS CONC SURFACING, (3")	AGGREGATE BASE COURSE TYPE B (8")	AGGREGATE SURFACE COURSE TYPE B (6")	AGGREGATE SURFACE COURSE TYPE B (8")
PRIVATE	CONCRETE	X					
	BITUMINOUS			X	X		
	AGGREGATE					X	
COMMERCIAL SIDE ROAD	CONCRETE		X				
	BITUMINOUS			X	X		
	AGGREGATE						X
FIELD	DIRT					X	
	AGGREGATE					X	

REVISIONS	
NAME	DATE

ILLINOIS DEPARTMENT OF TRANSPORTATION
MISC. DETAILS
 FAP ROUTE 809 (IL RTE. 158)
 SECTION (133, 134)RS-4, 135RS-5
 ST. CLAIR AND MONROE COUNTY

SCALE: VERT. _____
 DATE: _____ HORIZ. _____

DRAWN BY _____
 CHECKED BY _____

PLOT DATE = 1/8/2009
 FILE NAME = c:\pwworkspace\pwworkspace\133134\135RS-5.dgn
 PLOT SCALE = 1/8" = 1'-0"
 REFERENCE = SHEET 109