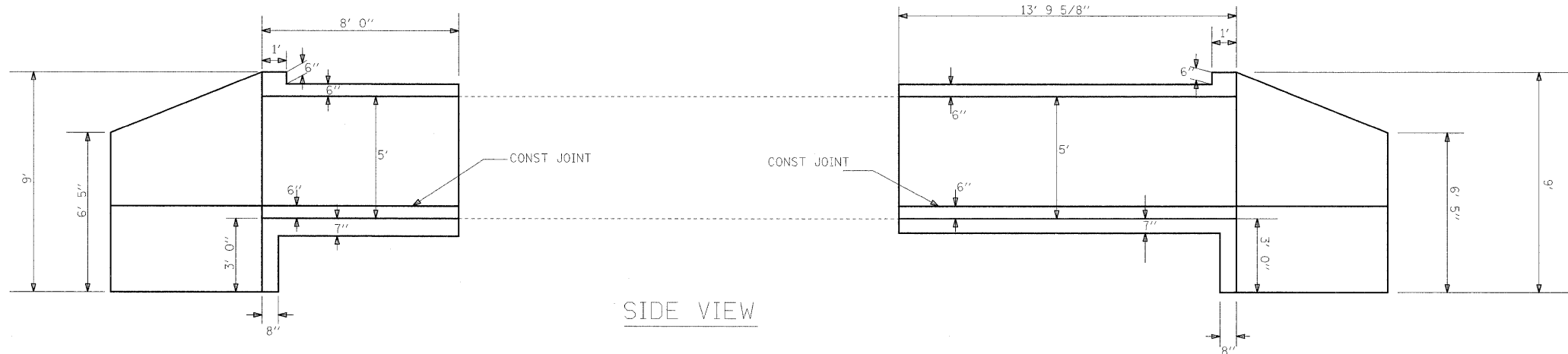
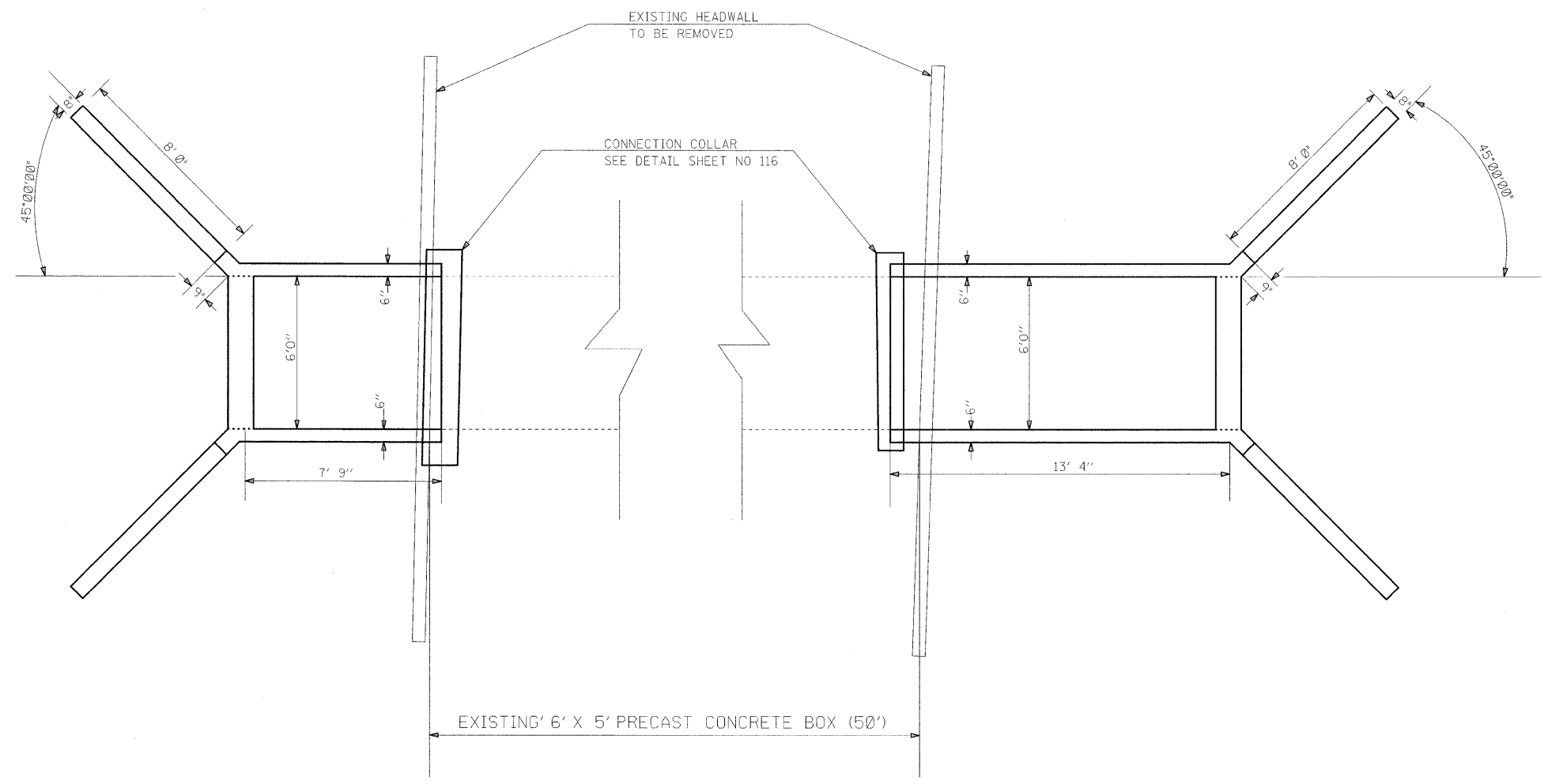


F.A.P. RTE.	SECTION	COUNTY	TOTAL SHEETS	SHEET NO.
809	(133,134)RS-4,135RS-5	ST. CLAIR, MONROE	252	114
STA.		TO STA.		
FED. ROAD DIST. NO.		ILLINOIS FED. AID PROJECT		

PLAN	SURVEYED	BY	DATE
NOTE BOOK NO.	ALIGNED		
	CHECKED		
	BY		
	DATE		
	ADD FILE NAME		



SIDE VIEW



TOP VIEW

REVISIONS	
NAME	DATE

**CAST-IN-PLACE
BOX CULVERT EXTENSIONS
STA. 225+76.92**

FAP ROUTE 809 (IL 158)
SECTION (133, 134)RS-4, 135RS-5
MONROE & ST. CLAIR COUNTY

DRAWN BY:

UNLESS
DATE-TIME
DGN-SPEC
REF-