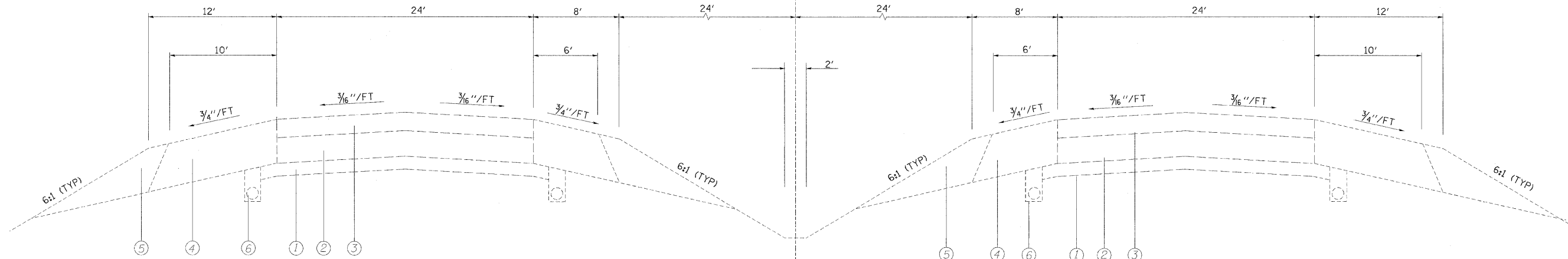


WB - SUPERELEVATION

STA. 1113+67.50 TO STA. 1138+22.60
 STA. 1144+59.17 TO STA. 1153+80.85
 STA. 1192+36.95 TO STA. 1217+33.44
 STA. 1311+77.57 TO STA. 1345+12.21
 STA. 1356+56.00 TO STA. 1358+17.01
 STA. 1376+42.69 TO STA. 1378+55.50
 STA. 1384+40.77 TO STA. 1475+80.00

EB - SUPERELEVATION

STA. 1103+29.00 TO STA. 1108+30.33
 STA. 1114+62.10 TO STA. 1136+87.50
 STA. 1148+45.54 TO STA. 1153+80.85
 STA. 1192+36.95 TO STA. 1207+95.63
 STA. 1214+30.24 TO STA. 1217+33.44
 STA. 1311+77.57 TO STA. 1345+79.31
 STA. 1351+74.80 TO STA. 1358+17.01
 STA. 1386+32.37 TO STA. 1475+80.00



WB - TANGENT SECTION

STA. 1153+80.85 TO STA. 1192+36.95
 STA. 1217+33.44 TO STA. 1228+96.44
 STA. 1243+07.48 TO STA. 1261+67.94
 STA. 1268+31.60 TO STA. 1311+77.57
 STA. 1358+17.01 TO STA. 1364+26.26
 STA. 1367+29.00 TO STA. 1376+42.69

EB - TANGENT SECTION

STA. 1153+80.85 TO STA. 1192+36.95
 STA. 1217+33.44 TO STA. 1233+37.75
 STA. 1247+48.74 TO STA. 1311+77.57
 STA. 1358+17.01 TO STA. 1363+71.57
 STA. 1366+74.31 TO STA. 1374+77.20

LEGEND

- ① EXISTING SUB-BASE 4"
- ② EXISTING C.R.P.C.C. PAVEMENT 8"
- ③ EXISTING RESURFACING 6-1/2" OR 8-1/4"
- ④ EXISTING BITUMINOUS SHOULDER
- ⑤ EXISTING AGGREGATE SHOULDER, TYPE B
- ⑥ EXISTING PIPE UNDERDRAINS
- ⑦ (NOT USED)
- ⑧ (NOT USED)

FILE NAME = C:\PROGRAM FILES\BENTLEY\WORKSPACE\SYSTEM\PLTDRY\PRINTER-FULL.PLT
 PLOT DRIVER = C:\LOAD LIBRARY\WCHOSTA1\ONVEN TABLES\PLTDRY.TXT SUB.tbl
 PEN TABLE = S:\LOAD LIBRARY\WCHOSTA1\ONVEN TABLES\PLTDRY.TXT SUB.tbl

FILE NAME =	USER NAME = untitled	DESIGNED - SCF	REVISED -
D876855-shr-typicals.dgn		DRAWN - SCF	REVISED -
	PLOT SCALE = 50.0000' / IN.	CHECKED - TJQ	REVISED -
	PLOT DATE = 12/10/2008	DATE - 12/12/08	REVISED -

**STATE OF ILLINOIS
 DEPARTMENT OF TRANSPORTATION**

EXISTING TYPICAL SECTIONS

SCALE: NONE SHEET NO. 1 OF 3 SHEETS STA. TO STA.

F.A.I. RTE.	SECTION	COUNTY	TOTAL SHEETS	SHEET NO.
64	82-(8,9,10)RS-3	ST. CLAIR-CLINTON	78	7
FED. ROAD DIST. NO. ILLINOIS FED. AID PROJECT			CONTRACT NO. 76855	