

\* TOUCH-DOWN POINT FOR AGGREGATE SHOULDER WEDGE, TYPE B, TO EXISTING SLOPE SHALL BE 6' FROM EDGE OF SHOULDER. THE FLATEST SLOPE POSSIBLE SHALL BE USED WITHIN THE 6' MAXIMUM HORIZONTAL DISTANCE. THE STEEPEST ALLOWABLE AGGREGATE SLOPE SHALL BE 3:1.

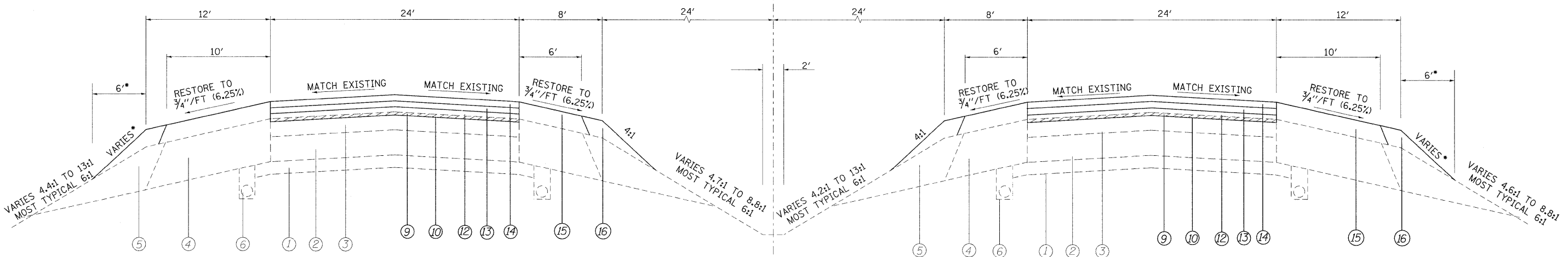
\*\* SHOULDER SLOPE 5.2% MAX. THROUGH CURVE WHOSE S.E. SLOPE IS 2.8% (8% MAX. BREAK ALLOWED)

**WB - SUPERELEVATION**

STA. 1192+36.95 TO STA. 1217+33.44  
 STA. 1311+77.57 TO STA. 1345+12.21  
 STA. 1356+56.00 TO STA. 1358+17.01

**EB - SUPERELEVATION**

STA. 1192+36.95 TO STA. 1207+95.63  
 STA. 1214+30.24 TO STA. 1217+33.44  
 STA. 1311+77.57 TO STA. 1345+79.31  
 STA. 1351+74.80 TO STA. 1358+17.01



**WB - TANGENT SECTION**

STA. 1153+80.85 TO STA. 1192+36.95  
 STA. 1217+33.44 TO STA. 1228+96.44  
 STA. 1243+07.48 TO STA. 1261+67.94  
 STA. 1268+31.60 TO STA. 1311+77.57  
 STA. 1358+17.01 TO STA. 1364+26.26 \*\*\*  
 STA. 1367+29.00 TO STA. 1376+42.69 \*\*\*

**EB - TANGENT SECTION**

STA. 1153+80.85 TO STA. 1192+36.95  
 STA. 1217+33.44 TO STA. 1233+37.75  
 STA. 1247+48.74 TO STA. 1311+77.57  
 STA. 1358+17.01 TO STA. 1363+71.57 \*\*\*  
 STA. 1366+74.31 TO STA. 1374+77.20 \*\*\*

**LEGEND**

- ① EXISTING SUB-BASE 4"
- ② EXISTING C.R.P.C.C. PAVEMENT 8"
- ③ EXISTING RESURFACING 6-1/2" OR 8-1/4"
- ④ EXISTING BITUMINOUS SHOULDER
- ⑤ EXISTING AGGREGATE SHOULDER, TYPE B
- ⑥ EXISTING PIPE UNDERDRAINS
- ⑦ (NOT USED)
- ⑧ (NOT USED)
- ⑨ PROPOSED HOT-MIX ASPHALT SURFACE REMOVAL 1"
- ⑩ PROPOSED BITUMINOUS MATERIALS (PRIME COAT)
- ⑪ (NOT USED)
- ⑫ PROPOSED HOT MIX ASPHALT BINDER COURSE, IL-19.0, NI05 2 1/4"
- ⑬ PROPOSED POLYMERIZED HOT-MIX ASPHALT BINDER COURSE N-105 2 1/4"
- ⑭ PROPOSED POLYMERIZED HOT-MIX ASPHALT SURFACE COURSE STONE MATRIX ASPHALT N80 2"
- ⑮ PROPOSED HOT-MIX ASPHALT SHOULDERS
- ⑯ PROPOSED AGGREGATE SHOULDER WEDGE, TYPE B

\*\*\* HMA SURFACE REMOVAL, 1" AND HMA SURFACE COURSE EXTEND TO BRIDGE DECK JOINT (SEE RESURFACING DETAILS)

FILE NAME =	USER NAME = tebbemg	DESIGNED - SCF	REVISED -	<b>STATE OF ILLINOIS DEPARTMENT OF TRANSPORTATION</b>	<b>PROPOSED TYPICAL SECTIONS</b>			F.A.I. RTE. 64	SECTION 82-(8,9,10)RS-3	COUNTY ST. CLAIR-CLINTON	TOTAL SHEETS 78	SHEET NO. 8
C:\Documents and Settings\keplarc\Local Settings\Temporary Internet Files\Content.IE5\5DAAW9\08SCF5-shr-typos.dgn	DRAWN	CHECKED - TJQ	REVISED -		SCALE: NONE	SHEET NO. 2 OF 3 SHEETS	STA. TO STA.	CONTRACT NO. 76855				
PLOT SCALE = 50.0000' / IN.	DATE - 12/12/08	DATE - 12/12/08	REVISED -		FED. ROAD DIST. NO. ILLINOIS FED. AID PROJECT							
PLOT DATE = 1/30/2009												