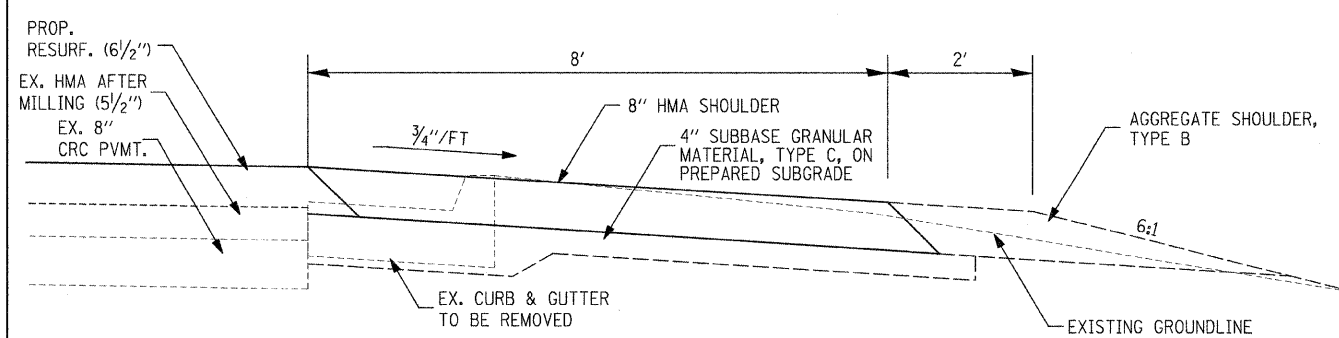
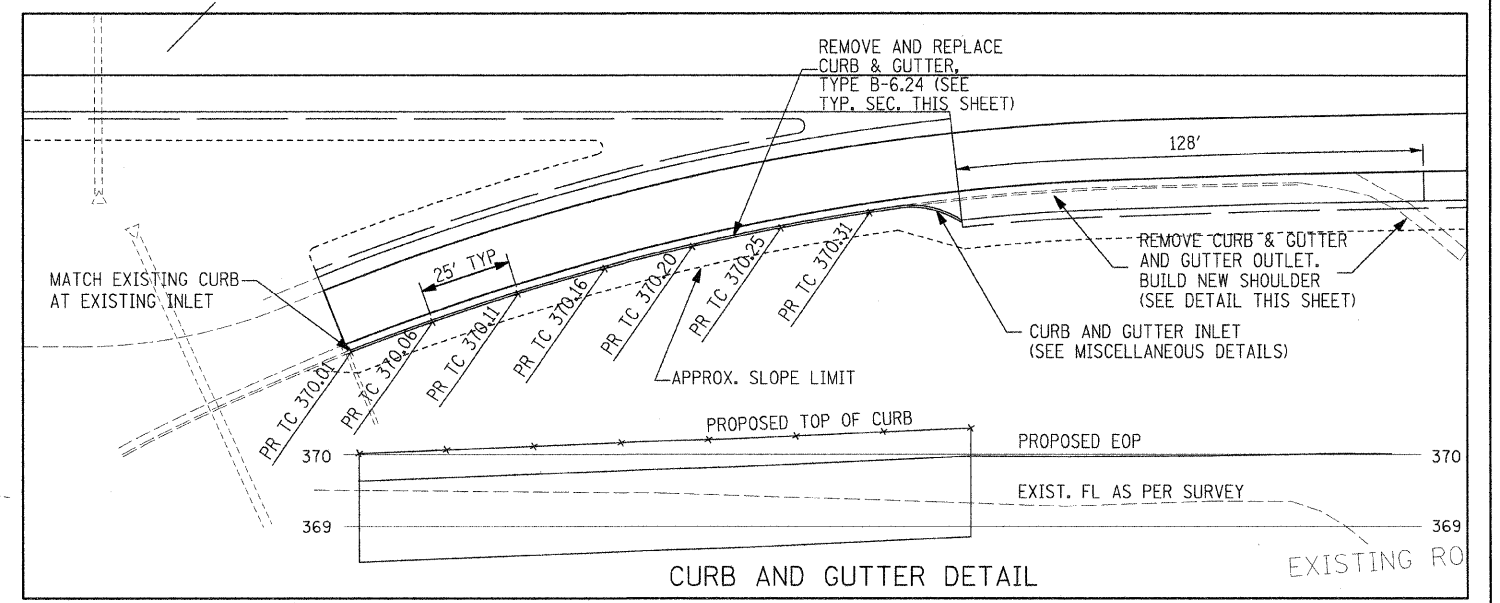


CURB AND GUTTER TYPICAL SECTION



**HMA SHOULDER TYPICAL SECTION
(SEE STANDARD 482001)**



CURB AND GUTTER DETAIL

REF: C:\Users\steve\Documents\Projects\2008\1223+00\1223+00.dgn
 PLOT DRIVER = C:\Program Files\Autodesk\AutoCAD 2008\Plot\Plotter\Full Plot
 PEN TABLE = C:\Program Files\Autodesk\AutoCAD 2008\Plot\Plotter\Plotter.tbl

FILE NAME = 0876855-shr-plan.dgn	USER NAME = Steve	DESIGNED - SCF	REVISED -	STATE OF ILLINOIS DEPARTMENT OF TRANSPORTATION	PLAN SHEET	F.A.I. RTE. = 64	SECTION = 82-(8,9,10)RS-3	COUNTY = ST. CLAIR-CLINTON	TOTAL SHEETS = 78	SHEET NO. = 23		
PLOT SCALE = 50.0000' / IN.	DRAWN - SCF	CHECKED - TJQ	REVISED -			SCALE: 1"=50'	SHEET NO. 10 OF 26 SHEETS	STA. 1223+00	TO STA. 1238+00	CONTRACT NO. 76855		
PLOT DATE = 1/29/2009	DATE = 12/12/08	REVISED -	REVISED -			FED. ROAD DIST. NO. ILLINOIS FED. AID PROJECT						
GONZALEZ COMPANIES, LLC 618-222-2221 WWW.GONZALEZCOS.COM												