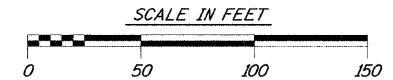
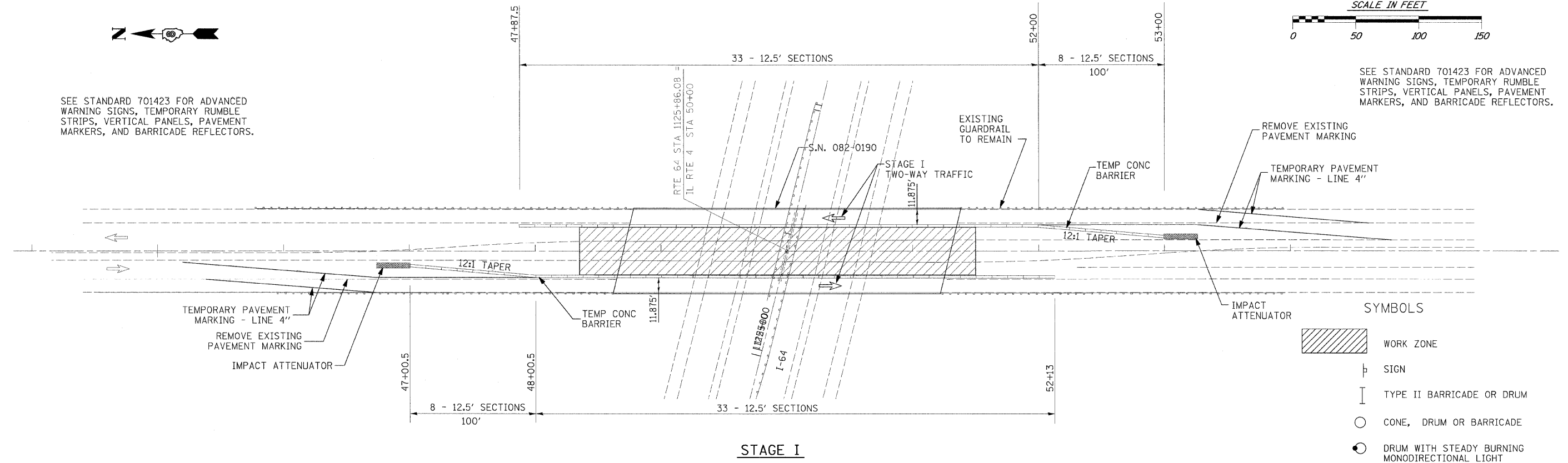




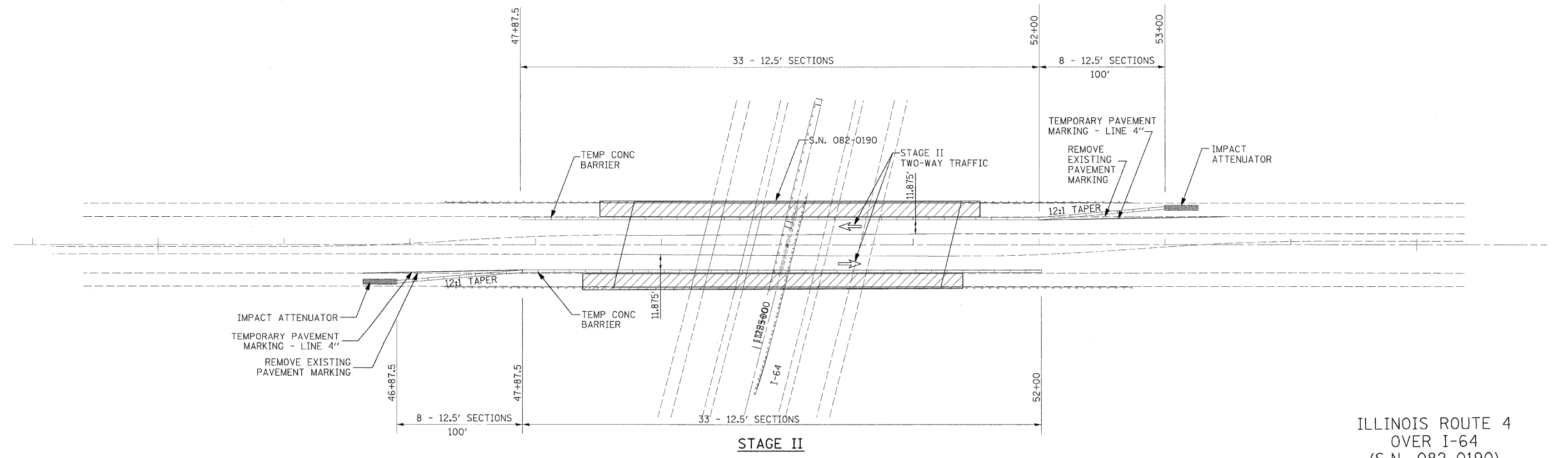
SEE STANDARD 701423 FOR ADVANCED WARNING SIGNS, TEMPORARY RUMBLE STRIPS, VERTICAL PANELS, PAVEMENT MARKERS, AND BARRICADE REFLECTORS.



SEE STANDARD 701423 FOR ADVANCED WARNING SIGNS, TEMPORARY RUMBLE STRIPS, VERTICAL PANELS, PAVEMENT MARKERS, AND BARRICADE REFLECTORS.



- SYMBOLS**
- WORK ZONE
 - SIGN
 - TYPE II BARRICADE OR DRUM
 - CONE, DRUM OR BARRICADE
 - DRUM WITH STEADY BURNING MONODIRECTIONAL LIGHT



ILLINOIS ROUTE 4
OVER I-64
(S.N. 082-0190)

| | | | | | | | | | | | |
|--|-------------------------|--------------------|-----------|---|-----------------------------|-------------------------|----------------------|----------------------------|-----------------------------|---|--------------------|
| FILE NAME = U876853-sh1-staging.dgn | USER NAME = untitled | DESIGNED - SCF | REVISED - | STATE OF ILLINOIS DEPARTMENT OF TRANSPORTATION | TRAFFIC CONTROL PLAN | | F.A.I. RTE: 64 | SECTION 82-(8,9,10)RS-3 | COUNTY ST. CLAIR-CLINTON | TOTAL SHEETS 78 | SHEET NO. 46 |
| PLOT SCALE = 40,0000' / IN. | CHECKED - TJO | DATE - 12/12/08 | REVISIONS | | SCALE: 1" = 50' | SHEET NO. 7 OF 9 SHEETS | STA. TO STA. | CONTRACT NO. 76855 | | FED. ROAD DIST. NO. ILLINOIS FED. AID PROJECT | |
| PLOT DATE = 12/10/2008 | DATE - 12/12/08 | REVISIONS | | | | | | | | | |
| | | | | | | | | | | | |

PLOT DRIVER = C:\Program Files\Autodesk\AutoCAD 2008\acadplot.plt PEN TABLE = \$*ACAD_PEN\$