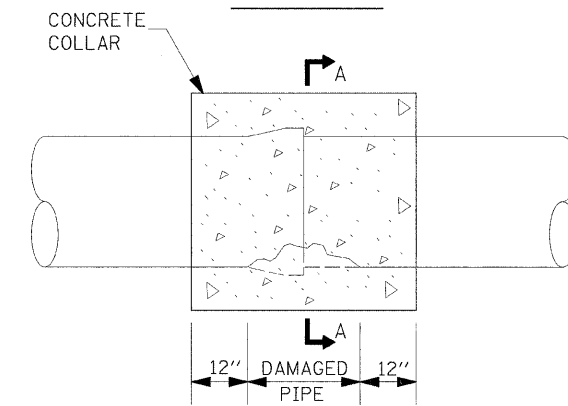
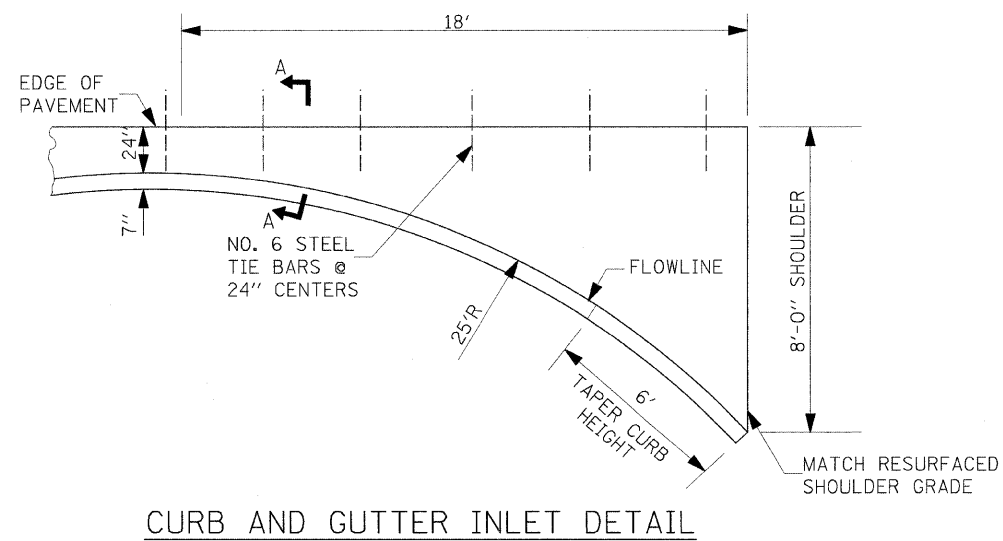
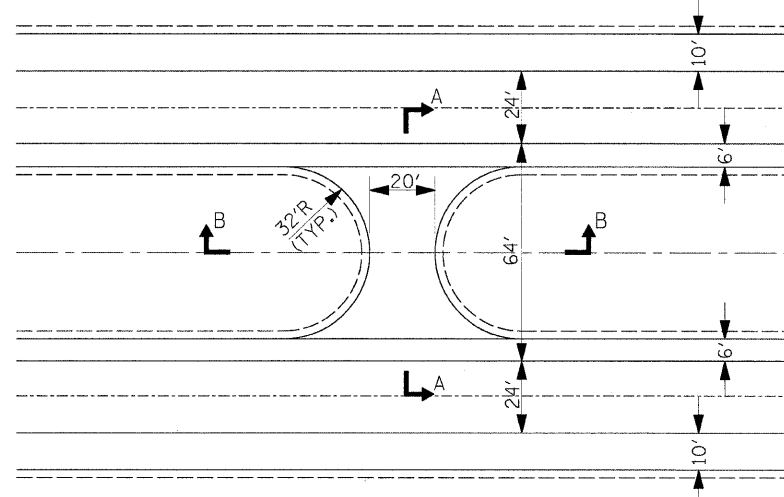
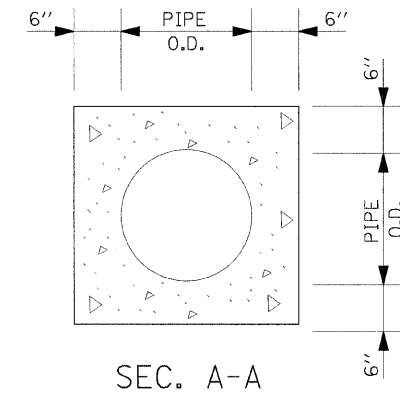
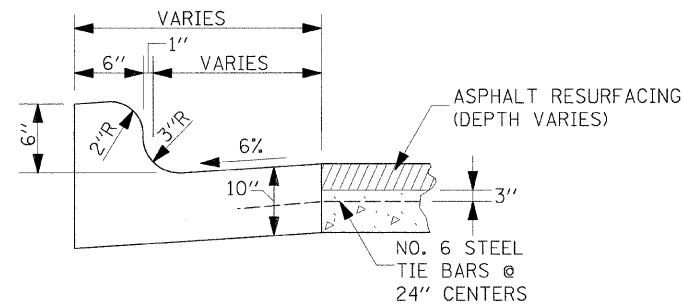
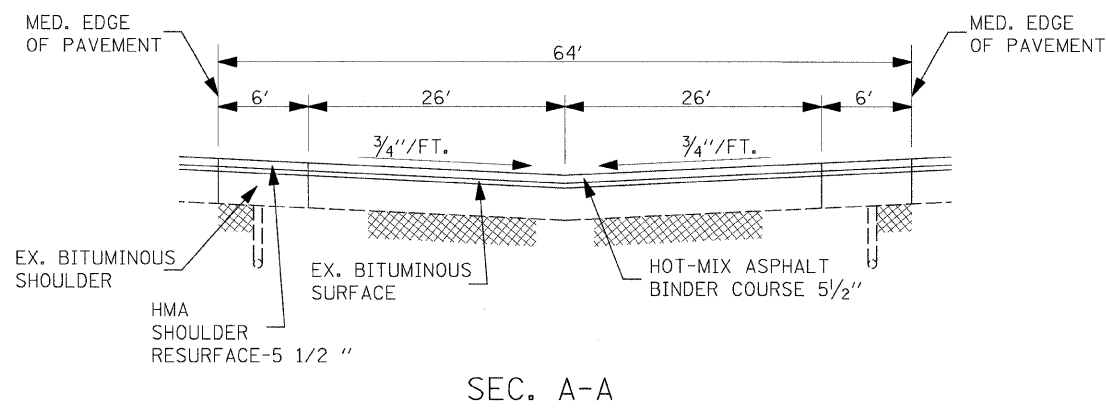


NOTES:

1. THE REMOVAL OF THE EXISTING IMPACT ATTENUATOR SHALL CONSIST OF COMPLETELY REMOVING ALL EXISTING BARRELS, SAND AND DEBRIS FROM THE CONCRETE PAD. DISPOSAL OF MATERIAL SHALL BE DONE IN ACCORDANCE WITH ARTICLE 202.03 OF THE STANDARD SPECIFICATIONS. PAYMENT SHALL BE AT THE CONTACT UNIT PRICE PER EACH FOR IMPACT ATTENUATOR REMOVAL.
2. EXPANSION OF THE CONCRETE PAD SHALL BE PAID FOR AT THE CONTRACT UNIT PRICE PER SQUARE YARD FOR ATTENUATOR BASE.
3. INSTALLATION OF NEW IMPACT ATTENUATOR SHALL BE PAID FOR AT THE CONTRACT UNIT PRICE PER EACH FOR IMPACT ATTENUATOR, (NON-REDIRECTIVE), TEST LEVEL 3.



NOTE:  
THIS WORK SHALL BE PAID FOR IN ACCORDANCE WITH ARTICLE 109.04 OF THE STANDARD SPECIFICATIONS.

FILE NAME = 0876855-sht-details-misc.dgn	USER NAME = untitled	DESIGNED - SCF	REVISED -	<b>STATE OF ILLINOIS DEPARTMENT OF TRANSPORTATION</b>	<b>MISCELLANEOUS DETAILS</b>			F.A.I. RTE. 64	SECTION 82-(8,9,10)RS-3	COUNTY ST. CLAIR-CLINTON	TOTAL SHEETS 78	SHEET NO. 60
PLOT SCALE = 2.774133' / IN.	CHECKED - TJQ	DATE - 12/12/08	REVISED -					SCALE: NONE	SHEET NO. 1 OF 2 SHEETS	STA. TO STA.	CONTRACT NO. 76855	
PLOT DATE = 12/18/2008	DATE - 12/12/08	REVISED -	REVISED -		FED. ROAD DIST. NO. [ILLINOIS] FED. AID PROJECT							
GONZALEZ COMPANIES, LLC 618-222-2221 WWW.GONZALEZCOS.COM												