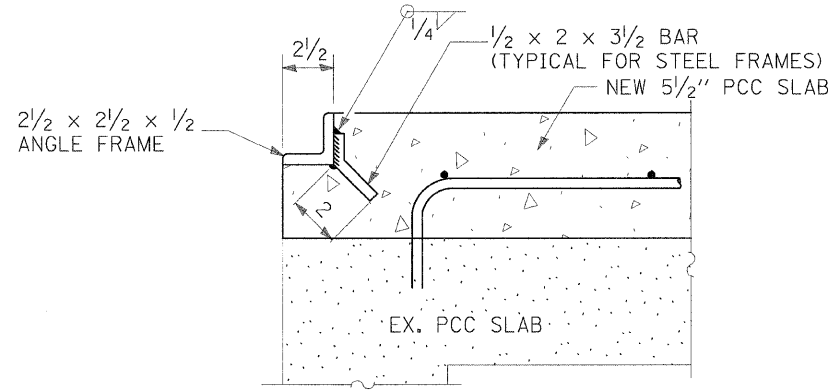
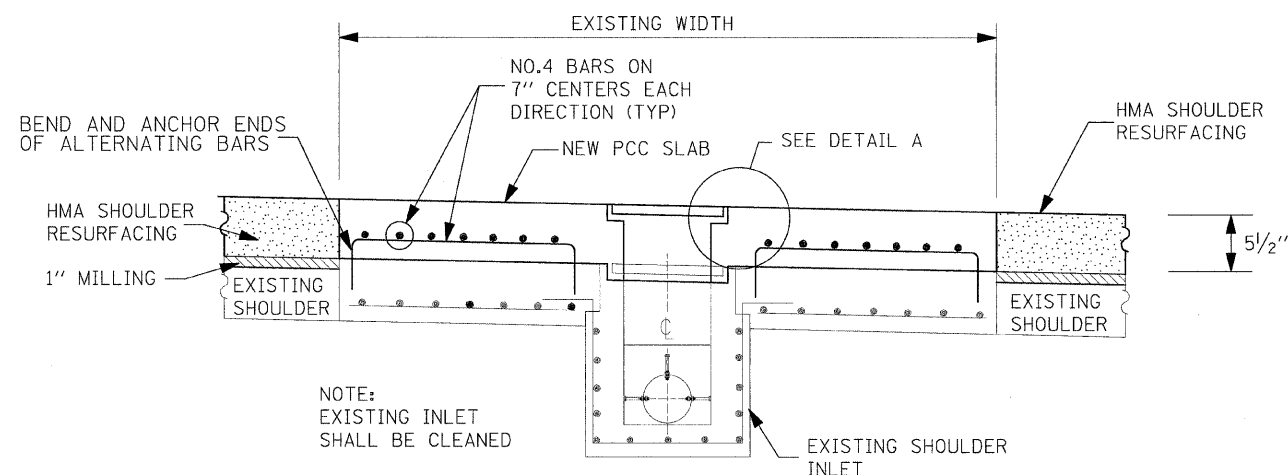


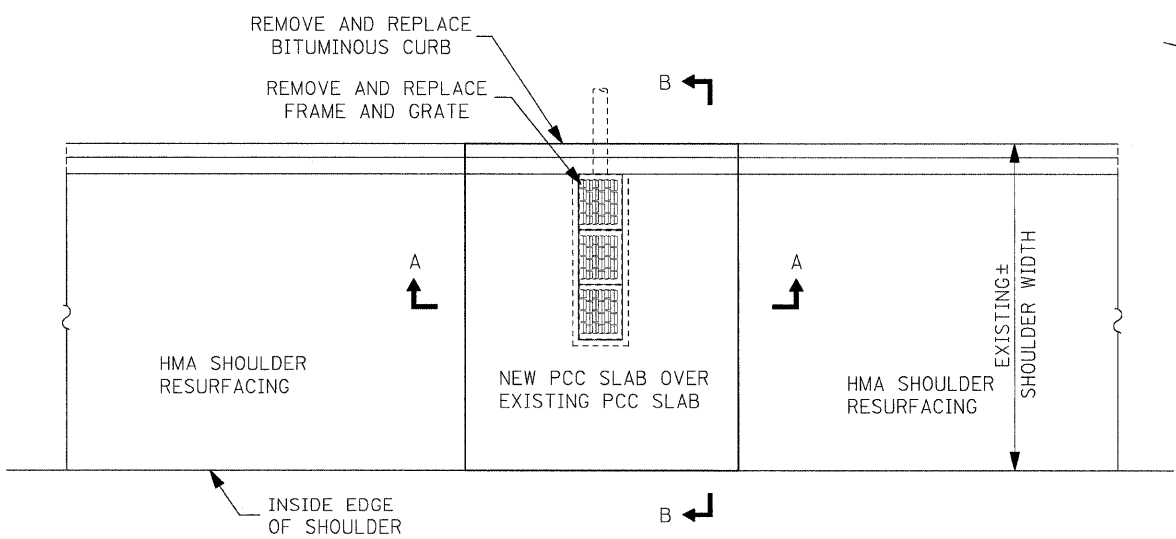
SECTION B-B



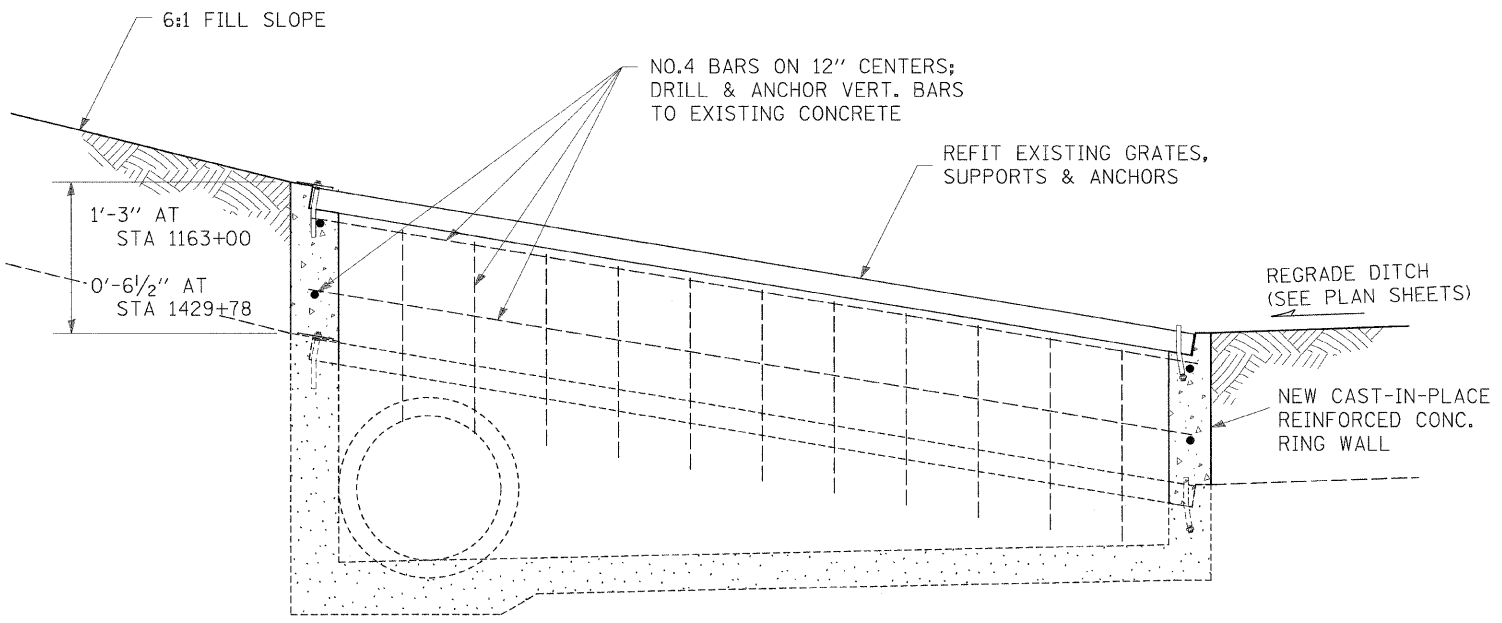
DETAIL A



SEC. A-A



PLAN



LONGITUDINAL SECTION

MEDIAN INLET, SPECIAL ADJUSTMENT DETAIL
STA 1163+00 AND STA 1429+78

INLET ADJUSTMENT DETAIL
STA. 1385+68.09, 58.31'(LT.) (WB OUTSIDE SHOULDER)

PLOT DRIVER = C:\Program Files\Bentley\WorkSpace\System\p10\p10inter-f111.plt
 PEN TABLE = C:\Program Files\Bentley\WorkSpace\System\p10\p10tbl.tbl

FILE NAME = DB76855 sht-details.misc.dgn	USER NAME = Steve	DESIGNED - SCF	REVISED -	STATE OF ILLINOIS DEPARTMENT OF TRANSPORTATION	MISCELLANEOUS DETAILS			F.A.I. RTE. 64	SECTION 82-(8,9,10)RS-3	COUNTY ST. CLAIR-CLINTON	TOTAL SHEETS 78	SHEET NO. 61
PLOT SCALE = 2.774133' / IN.					CHECKED - TJQ	SCALE: NONE	SHEET NO. 2 OF 2 SHEETS	STA.	TO STA.	CONTRACT NO. 76855		
PLOT DATE = 1/29/2009					DATE - 12/12/08	FED. ROAD DIST. NO. ILLINOIS FED. AID PROJECT						