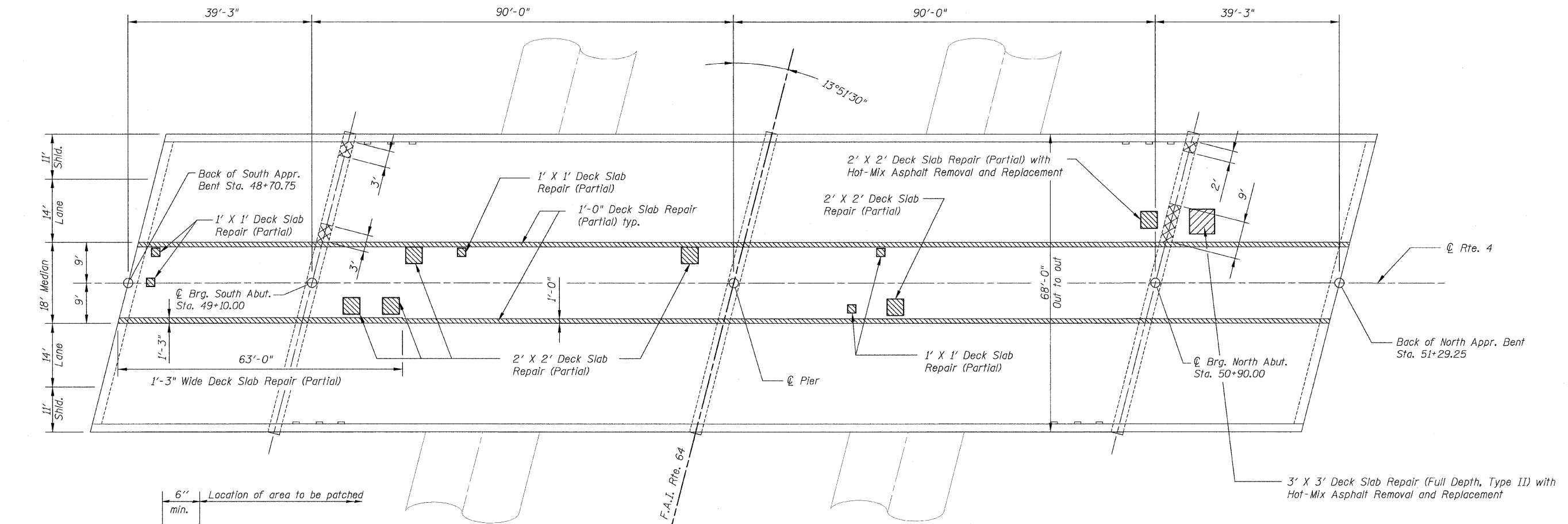
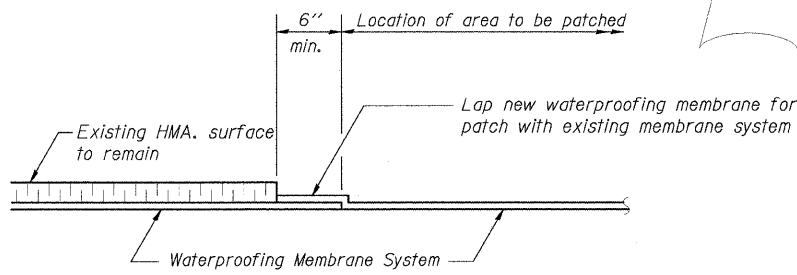


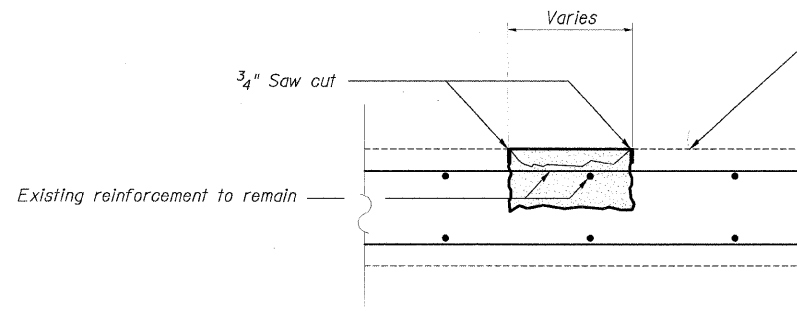
STATE OF ILLINOIS
DEPARTMENT OF TRANSPORTATION



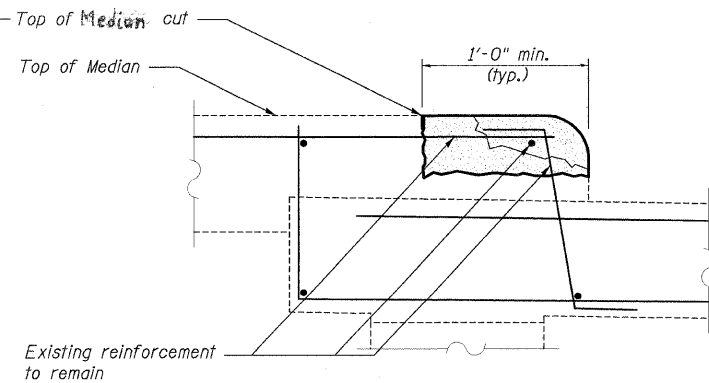
PLAN



WATERPROOFING TREATMENT
LAP DETAIL



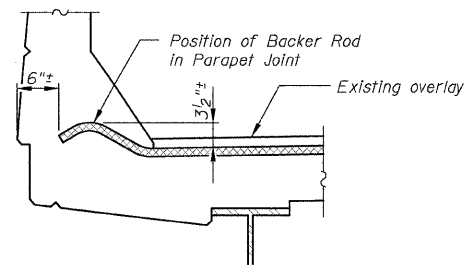
DECK SLAB REPAIR (PARTIAL)
MEDIAN DECK DETAIL



DECK SLAB REPAIR (PARTIAL)
MEDIAN CURB DETAIL

- * Replace polymer concrete nosing and silicone joint sealer. See Detail B, Sheet 3 of 5.
- Deck Slab Repair (Partial)
- Deck Slab Repair (Full Depth, Type II)

Cost of removal included with respective payitem.



END OF JOINT DETAIL

DESIGNED	B.G.H.
CHECKED	L.D.G.
DRAWN	K.M.M.
CHECKED	B.G.H.

SUPERSTRUCTURE

SHEET NO. 2	F.A.I. RTE.	SECTION	COUNTY	TOTAL SHEETS	SHEET NO.
	64	82-(8,9,10)RS-3	ST. CLAIR	78	63
5 SHEETS	S.N. 082-0190		CONTRACT NO. 76855		
FED. ROAD DIST. NO. - ILLINOIS FED. AID PROJECT					