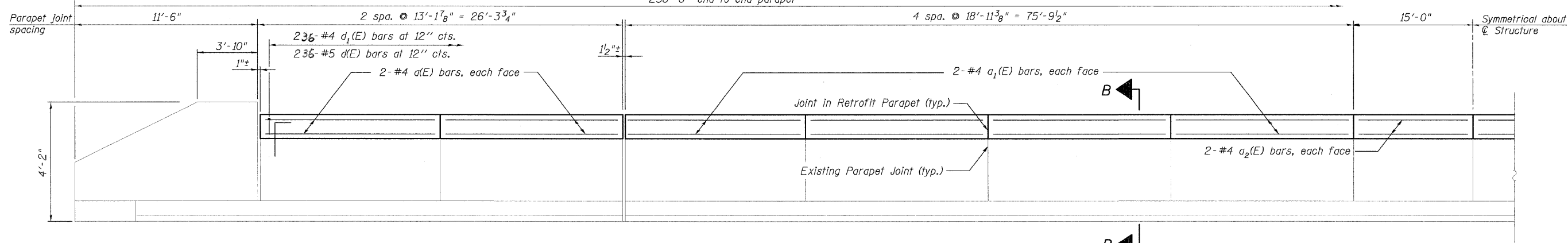


STATE OF ILLINOIS
DEPARTMENT OF TRANSPORTATION

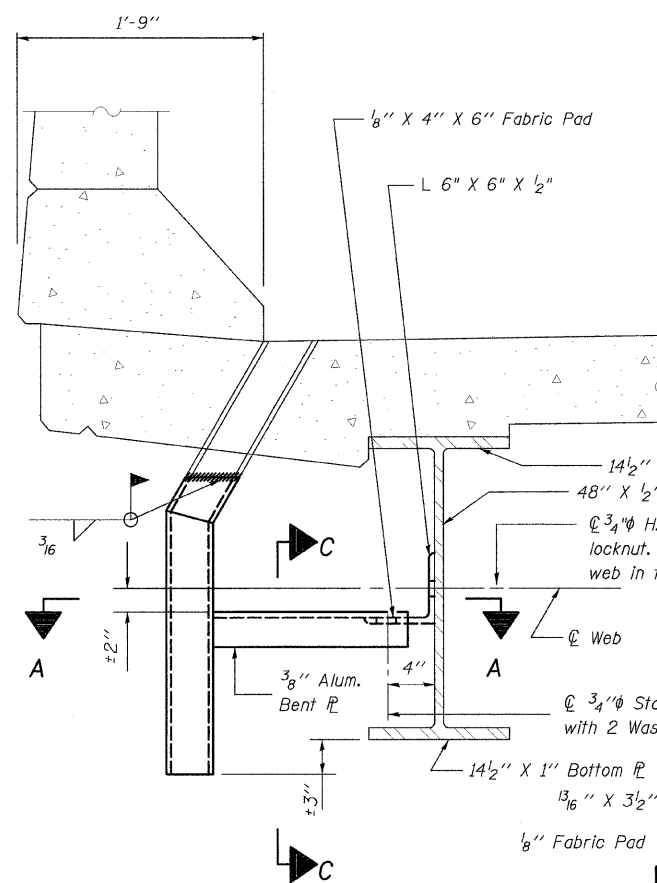
258'-6" end to end parapet



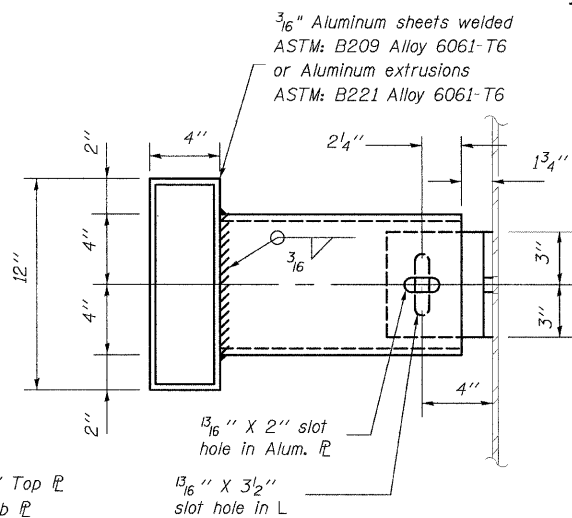
ELEVATION OF PARAPET

NOTES

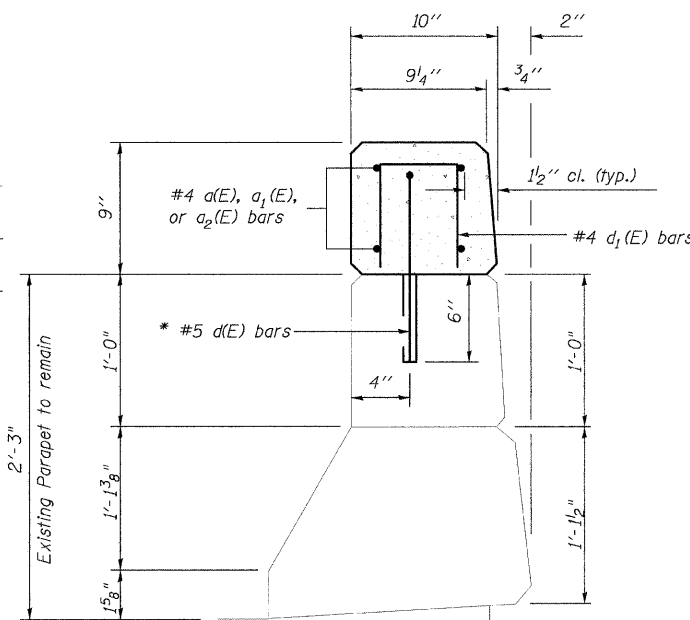
Class SI concrete shall be used throughout for cast-in-place option. All exposed edges shall be chamfered 3/4". Class SI concrete, reinforcement bars, epoxy coated, threaded anchor rods, 1/2" PJF and all other accessories needed for installation and erection shall be included in the cost of "Retrofit Concrete Parapet". The contractor shall use the capsule or the adhesive cartridge type anchor rods that have been previously tested and given a prior approval by the department. The contractor shall install these anchor rods in pre-drilled holes according to the manufacturer's recommendations and procedures. The capsule or the adhesive cartridge shall be sealed glass capsule or a sealed glass adhesive cartridge containing premeasured amount of adhesive chemical. The threaded rod stud with nut & washers shall conform to ASTM A307. The existing 3/4" and 1" welded studs shall be burned, sawed or chipped off flush with the top of the existing parapet. Holes for the dowel rods shall miss existing parapet joints. The concrete parapet retrofit will be measured for payment in foot (ft) along the top of parapet end to end. This work will be paid for at the contract unit price per foot (ft) of "Retrofit Concrete Parapet". * Epoxy grout d(E) bars in 6" (min.) drilled holes according to Section 584 of the Standard Specifications.



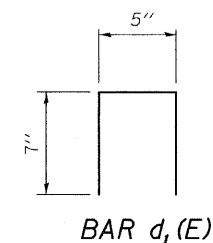
SECTION AT DRAIN



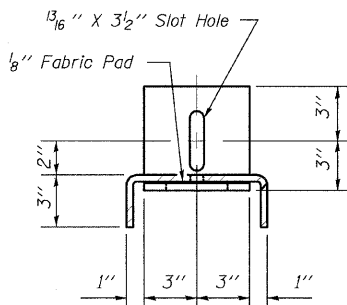
SECTION A-A



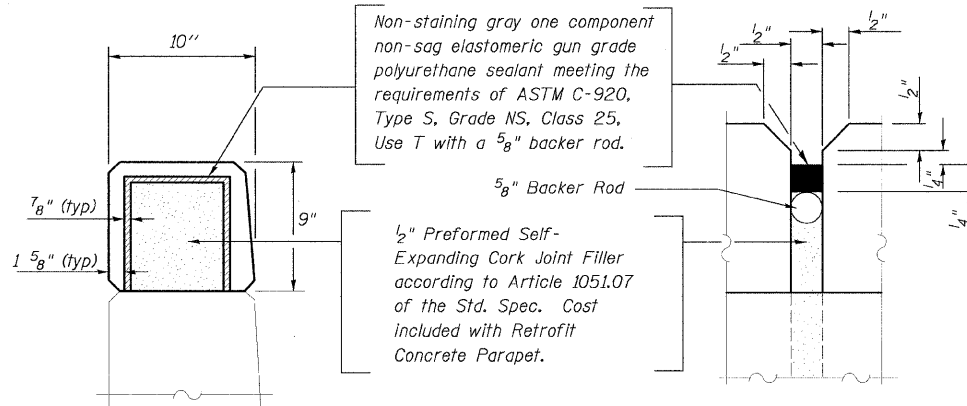
SECTION B-B



BAR d1(E)



SECTION C-C



JOINT DETAIL

REBAR LIST
(FOR INFORMATION ONLY)

Bar	No.	Size	Length	Shape	
a(E)	32	#4	12'-10"	—	
a1(E)	64	#4	18'-8"	—	
a2(E)	16	#4	14'-9"	—	
d(E)	47 1/2	#5	1'-7"	⌒	
d1(E)	47 1/2	#4	1'-7"	⌒	
Reinforcement Bars, Epoxy Coated				Pound	2,510

BILL OF MATERIAL

Item	Unit	Total
Bridge Rail Removal	Foot	470
Floor Drain Extensions	Each	12
Retrofit Concrete Parapet	Foot	470

PARAPET DETAILS

SHEET NO.	F.A.I. RTE.	SECTION	COUNTY	TOTAL SHEETS	SHEET NO.
4	64	82-(8,9,10)RS-3	ST. CLAIR	78	65
5 SHEETS			S.N. 082-0190		
FED. ROAD DIST. NO. _			ILLINOIS FED. AID PROJECT		
			CONTRACT NO. 76855		

DESIGNED	B.G.H.
CHECKED	L.D.G.
DRAWN	K.M.M.
CHECKED	B.G.H.