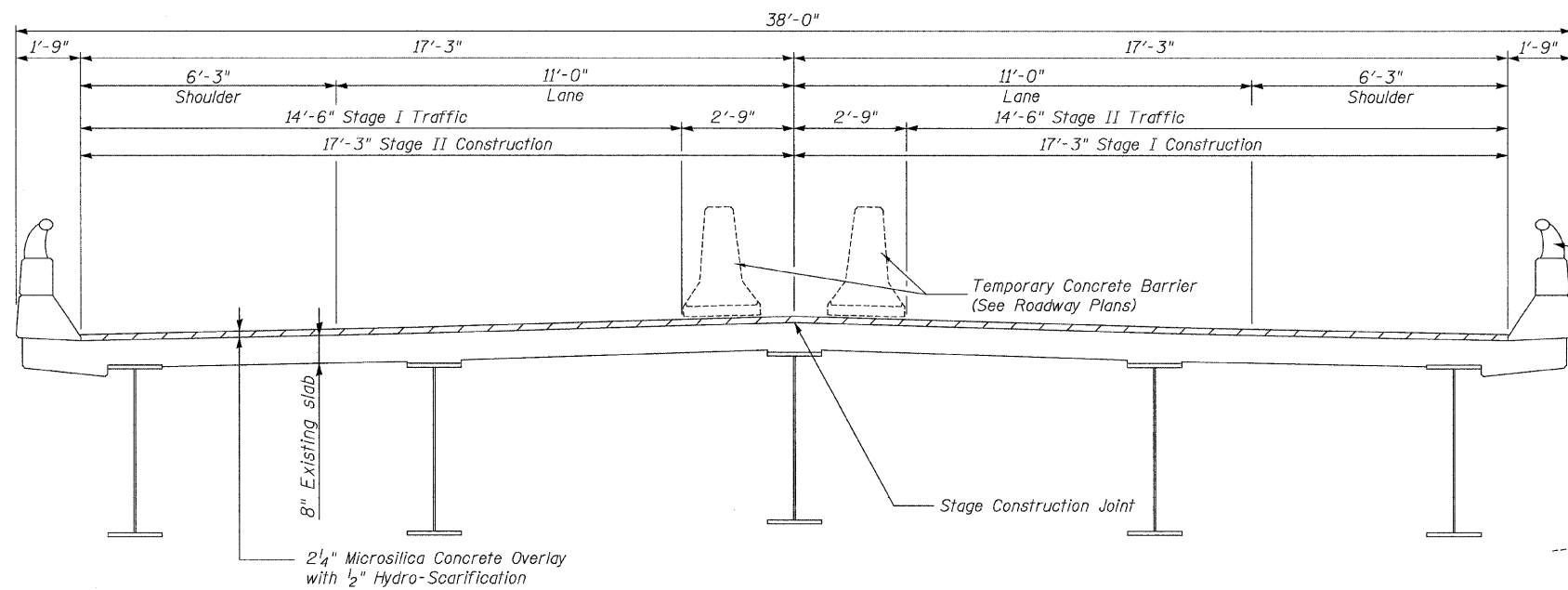
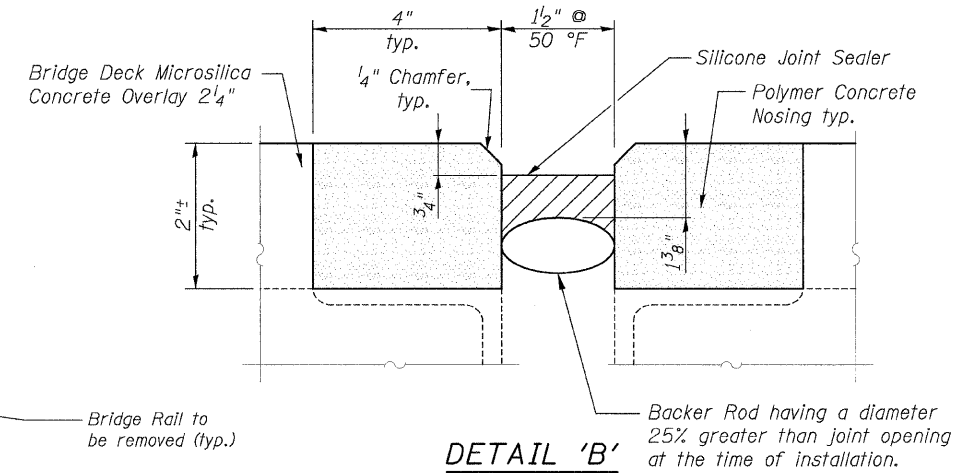


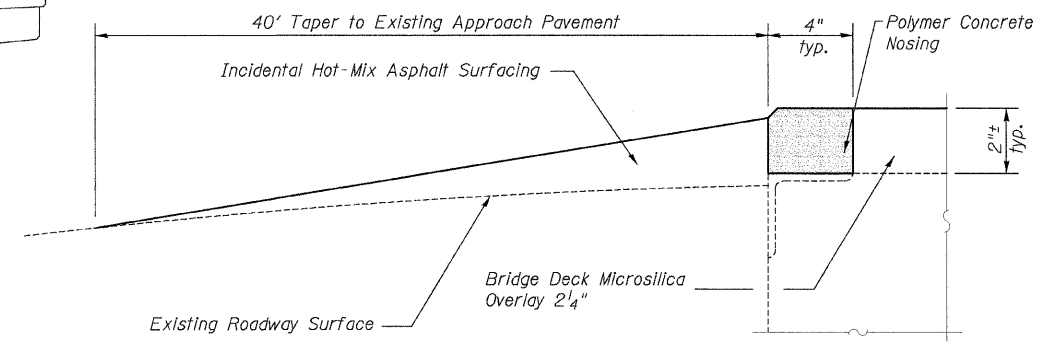
STATE OF ILLINOIS
DEPARTMENT OF TRANSPORTATION



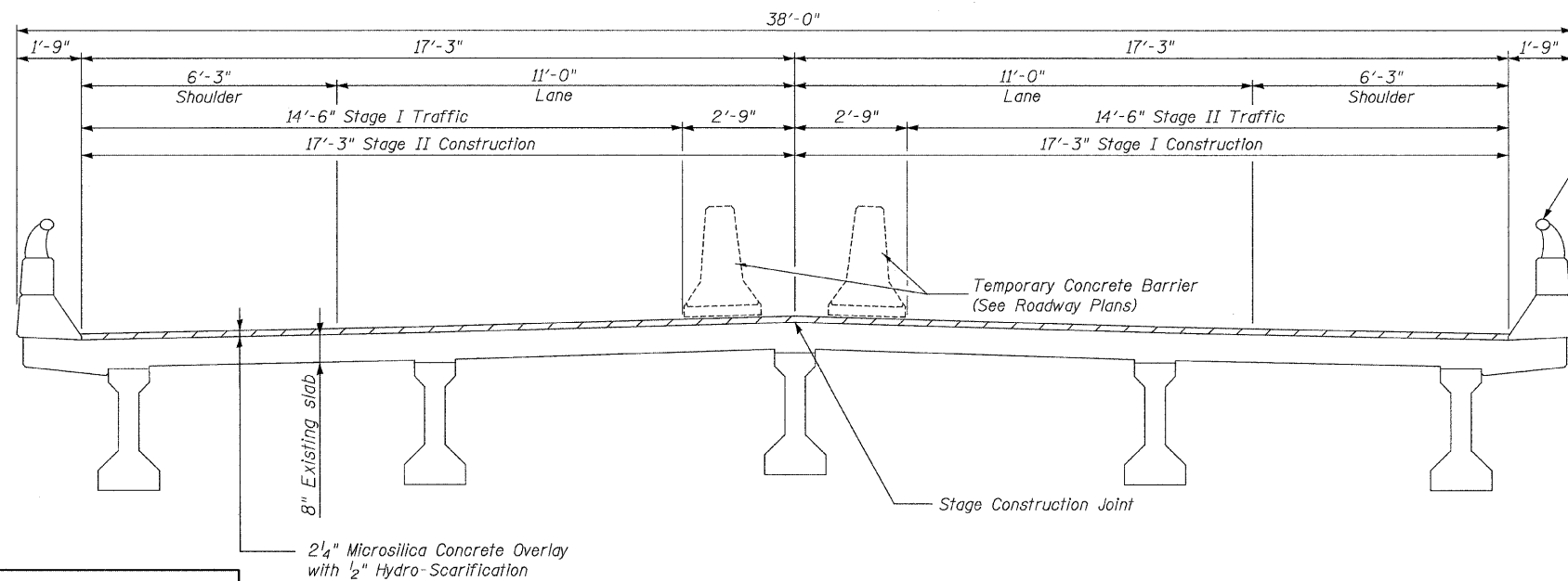
CROSS SECTION - MAIN SPANS
(Looking South)



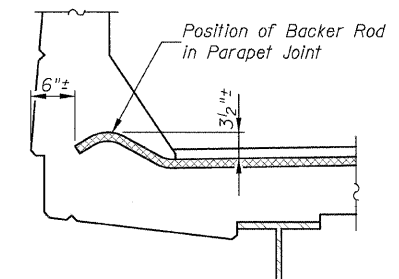
DETAIL 'B'



DETAIL 'A'



CROSS SECTION - APPROACH SPANS
(Looking South)



END OF JOINT DETAIL

BILL OF MATERIAL

Item	Unit	Total
Incidental Hot-Mix Asphalt Surfacing	Ton	61
Bridge Deck Hydro-Scarification 1/2"	Sq. Yd.	976
Bridge Deck Microsilica Concrete Overlay 2 1/4"	Sq. Yd.	976
Silicone Joint Sealer	Foot	75
Polymer Concrete	Cu. Ft.	12.5

SUPERSTRUCTURE

SHEET NO.	F.A.I. RTE.	SECTION	COUNTY	TOTAL SHEETS	SHEET NO.
2	64	82-(8,9,10)RS-3	ST. CLAIR	78	68
3 SHEETS			S.N. 082-0191 CONTRACT NO. 76855		
FED. ROAD DIST. NO. - ILLINOIS FED. AID PROJECT					

DESIGNED	K.M.M.
CHECKED	B.G.H.
DRAWN	K.M.M.
CHECKED	B.G.H.