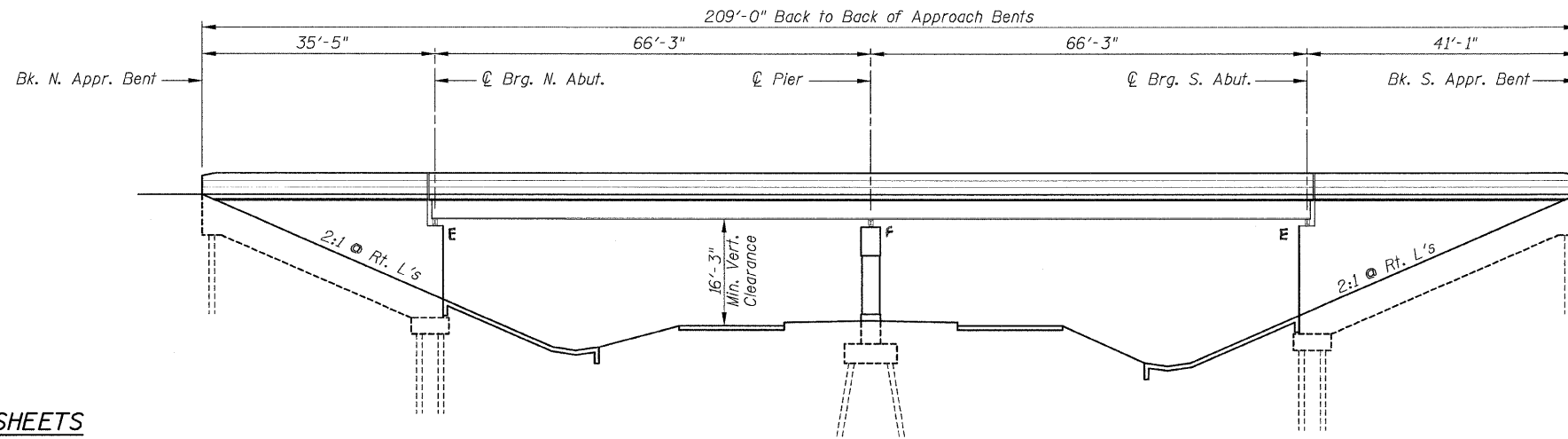


STATE OF ILLINOIS
DEPARTMENT OF TRANSPORTATION

TOTAL BILL OF MATERIAL - S.N. 082-0192 (E.B.)

ITEM	UNIT	SUPER	SUB	TOTAL
* Concrete Sealer	Sq. Ft.	10,460	—	10,460
Deck Slab Repair (Partial)	Sq. Yd.	8	—	8

* Concrete sealer shall be applied to the surface of the deck and the top and inside faces of the parapets.



ELEVATION

PATCHING SCHEDULE

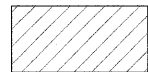
S.N. 082-0192 I-64 E.B. LANES OVER IL. RTE. 161

Sta. 0+00 = South Approach Bent at Centerline

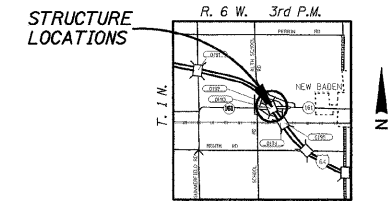
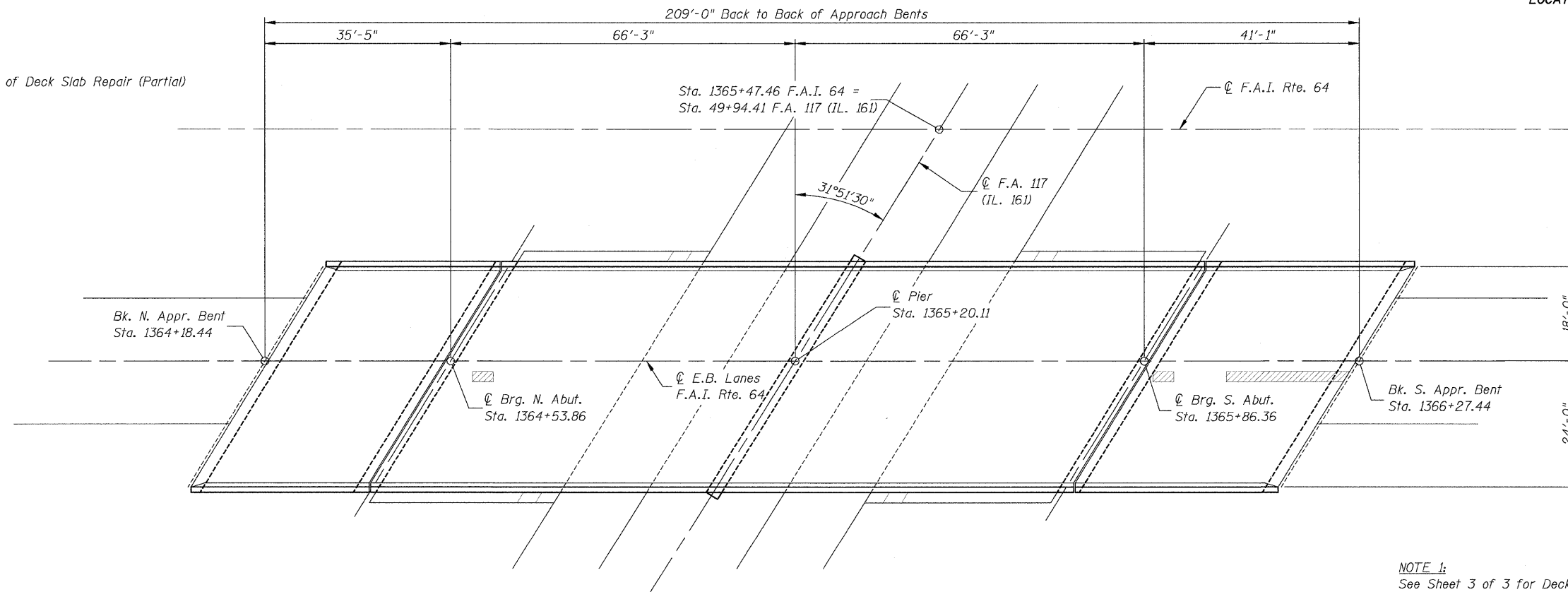
From Sta. (Ft.)	To Sta. (Ft.)	From Offset (Ft.)	To Offset (Ft.)
0+00	0+25	2' Lt	4' Lt
0+40	0+44	2' Lt	4' Lt
1+65	1+69	2' Lt	4' Lt

INDEX OF SHEETS

1. General Plan & Elevation - S.N. 082-0192
2. General Plan & Elevation - S.N. 082-0193
3. Superstructure



Area of Deck Slab Repair (Partial)



LOCATION SKETCH

NOTE 1:
See Sheet 3 of 3 for Deck Slab Repair (Partial) details.

For General Notes see sheet 3 of 3.

GENERAL PLAN & ELEVATION - S.N. 082-0192 (E.B.)

SHEET NO.	F.A.I. RTE.	SECTION	COUNTY	TOTAL SHEETS	SHEET NO.
1	64	82-(8,9,10)RS-3	ST. CLAIR	78	70
3 SHEETS		S.N. 082-0192 & 082-0193		CONTRACT NO. 76855	
		FED. ROAD DIST. NO. _		ILLINOIS FED. AID PROJECT	

DESIGNED	K.M.M.
CHECKED	B.G.H.
DRAWN	K.M.M.
CHECKED	B.G.H.

Bradley G. Hummer Date: 12/9/08
Bradley G. Hummer
Licensed Structural Engineer
in Carlyle, Illinois
No. 081-005428 Expires 11/30/2010



PLAN