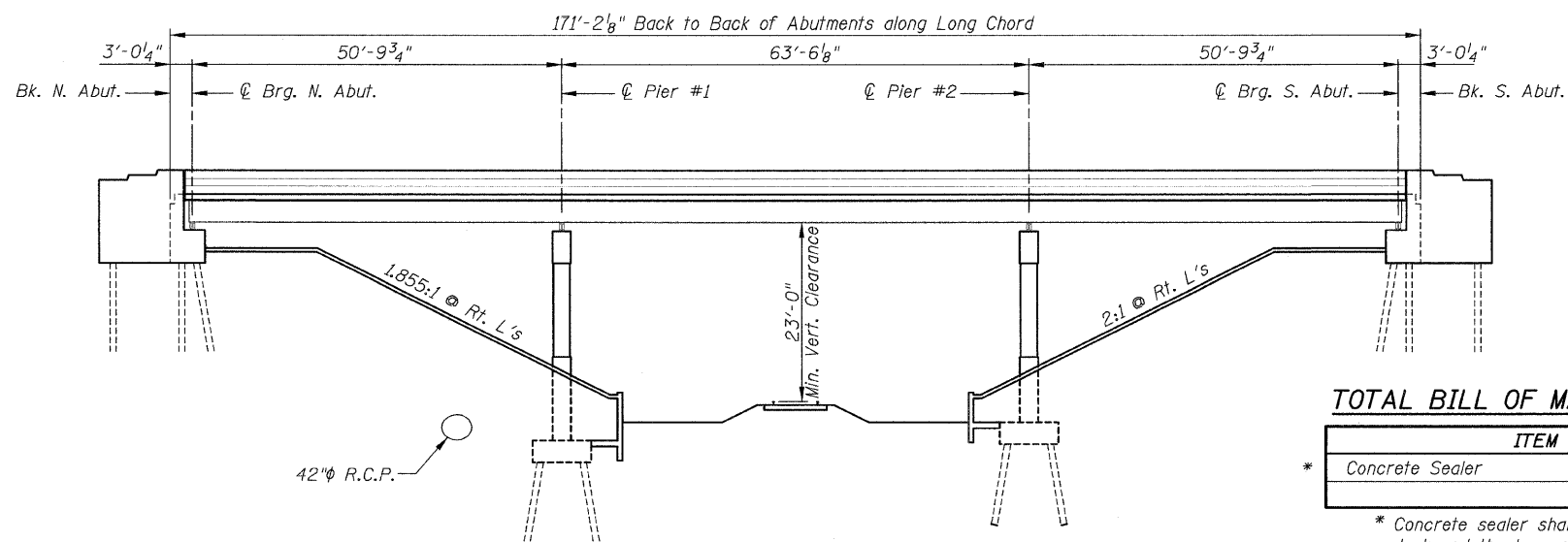


STATE OF ILLINOIS
DEPARTMENT OF TRANSPORTATION



ELEVATION

TOTAL BILL OF MATERIAL - S.N. 082-0194 (E.B.)

ITEM	UNIT	SUPER	SUB	TOTAL
* Concrete Sealer	Sq. Ft.	9,414	—	9,414

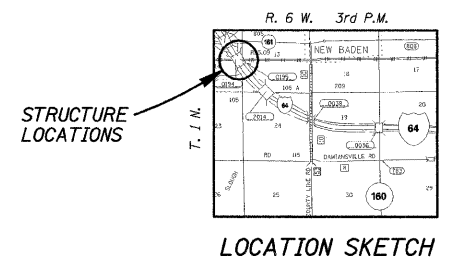
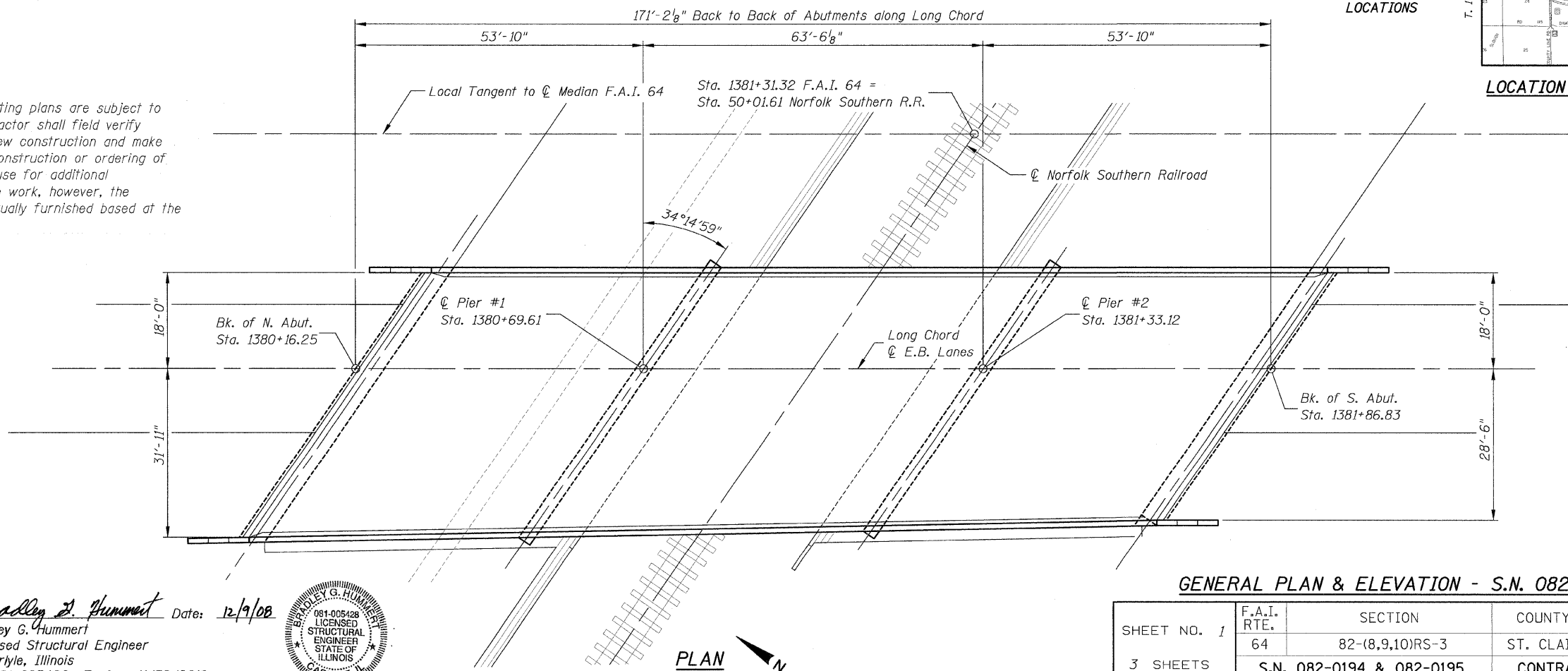
* Concrete sealer shall be applied to the surface of the deck and the top and inside vertical faces of the parapets.

INDEX OF SHEETS

1. General Plan & Elevation - S.N. 082-0194
2. General Plan & Elevation - S.N. 082-0195
3. Superstructure

GENERAL NOTES

Plan dimensions and details relative to existing plans are subject to nominal construction variations. The Contractor shall field verify existing dimensions and details affecting new construction and make necessary approved adjustments prior to construction or ordering of materials. Such variations shall not be cause for additional compensation for a change in scope of the work, however, the Contractor will be paid for the quantity actually furnished based at the unit price bid for the work.



GENERAL PLAN & ELEVATION - S.N. 082-0194 (E.B.)

SHEET NO. 1	F.A.I. RTE. 64	SECTION 82-(8,9,10)RS-3	COUNTY ST. CLAIR	TOTAL SHEETS 78	SHEET NO. 73
3 SHEETS	S.N. 082-0194 & 082-0195		CONTRACT NO. 76855		
FED. ROAD DIST. NO. ILLINOIS FED. AID PROJECT					

DESIGNED	K.M.M.
CHECKED	B.G.H.
DRAWN	K.M.M.
CHECKED	B.G.H.

Bradley G. Hummert Date: 12/9/08
Bradley G. Hummert
Licensed Structural Engineer
in Carlyle, Illinois
No. 081-005428 Expires 11/30/2010

