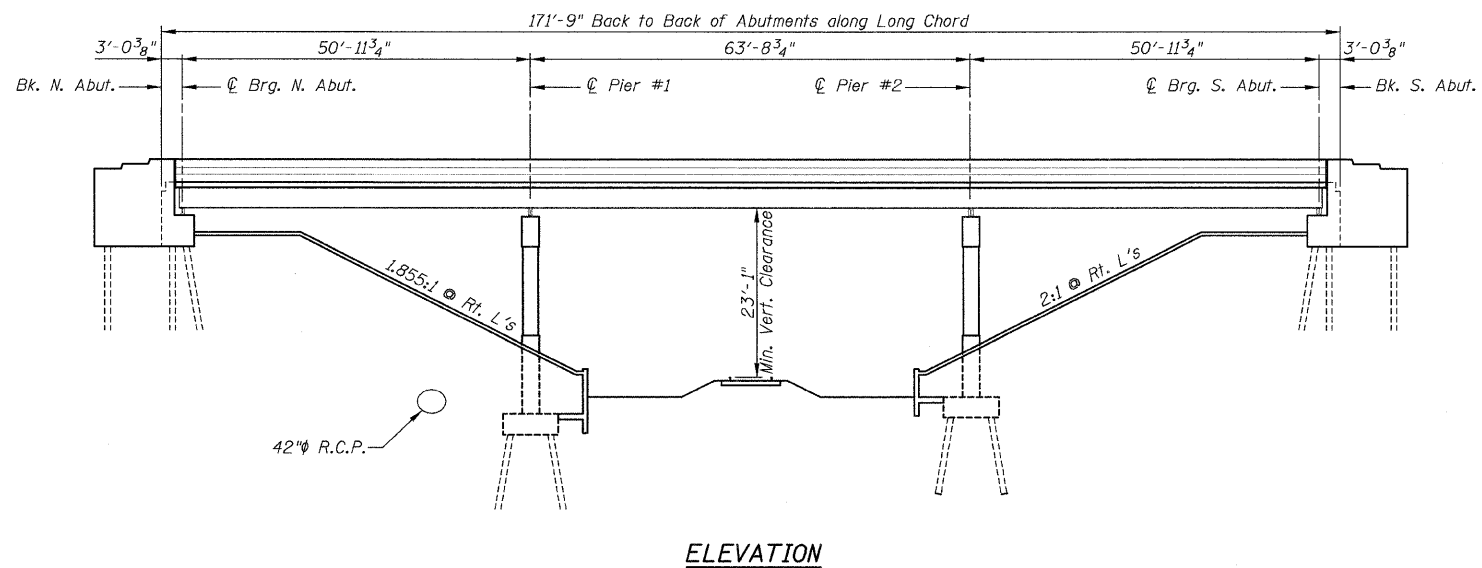


STATE OF ILLINOIS
DEPARTMENT OF TRANSPORTATION



ELEVATION

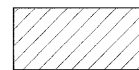
TOTAL BILL OF MATERIAL - S.N. 082-0195 W.B.

ITEM	UNIT	SUPER	SUB	TOTAL
* Concrete Sealer	Sq. Ft.	9,836	—	9,836
Deck Slab Repair (Partial)	Sq. Yd.	13	—	13
Silicone Joint Sealer	Foot	70	—	70
Polymer Concrete	Cu. Ft.	7.8	—	7.8

* Concrete sealer shall be applied to the surface of the deck and the top and inside vertical faces of the parapets.

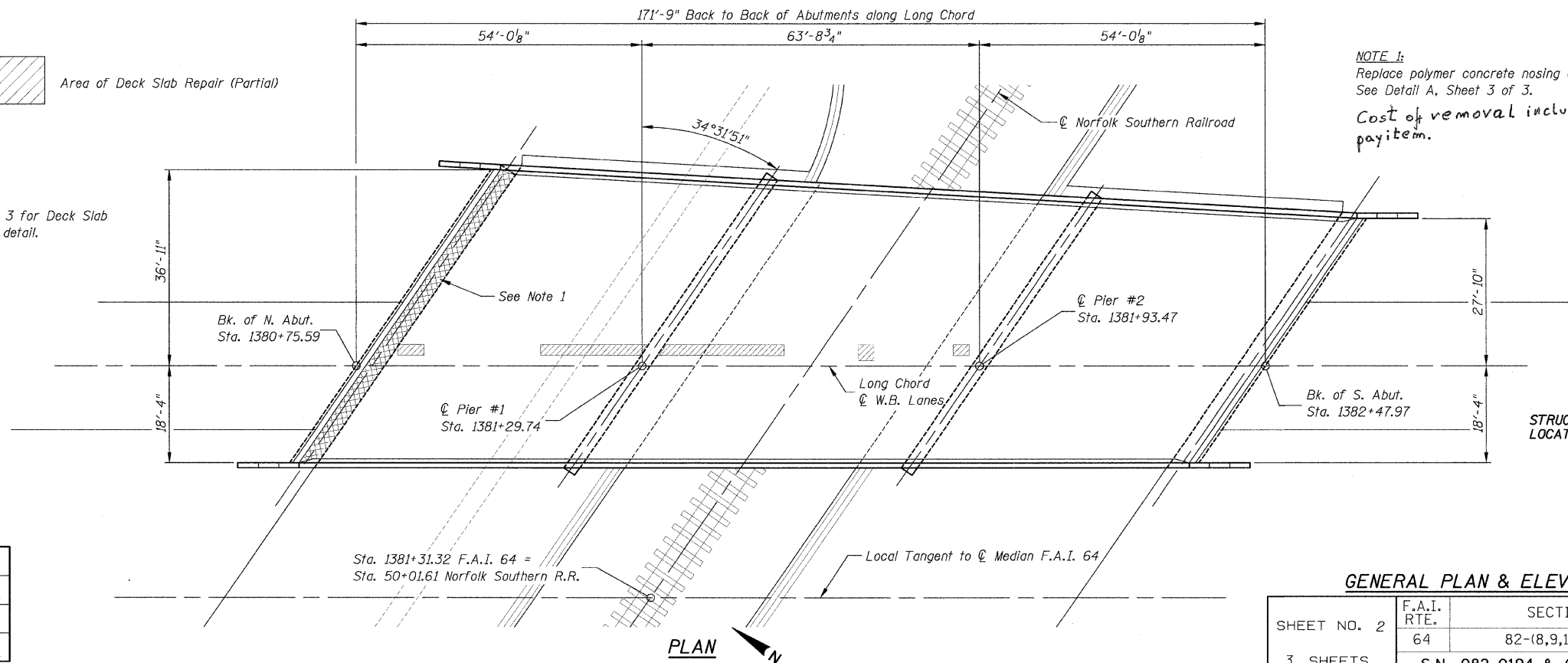
PATCHING SCHEDULE

S.N. 082-0195 I-64 W.B. LANE OVER N.S. RAILROAD			
Sta. 0+00 = South Abutment at Centerline			
From Sta. (Ft.)	To Sta. (Ft.)	From Offset (Ft.)	To Offset (Ft.)
0+51	0+54	2' Rt	4' Rt
0+74	0+77	1' Rt	4' Rt
0+91	1+14	2' Rt	4' Rt
1+16	1+37	2' Rt	4' Rt
1+59	1+64	2' Rt	4' Rt



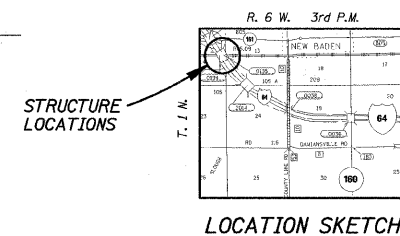
Area of Deck Slab Repair (Partial)

Note:
See sheet 3 of 3 for Deck Slab Repair (Partial) detail.



PLAN

NOTE 1:
Replace polymer concrete nosing and silicone joint sealer.
See Detail A, Sheet 3 of 3.
Cost of removal included with respective payitem.



DESIGNED	K.M.M.
CHECKED	B.G.H.
DRAWN	K.M.M.
CHECKED	B.G.H.

GENERAL PLAN & ELEVATION - S.N. 082-0195 W.B.

SHEET NO. 2 3 SHEETS	F.A.I. RTE.	SECTION	COUNTY	TOTAL SHEETS	SHEET NO.
	64	82-(8,9,10)RS-3	ST. CLAIR	78	74
S.N. 082-0194 & 082-0195			CONTRACT NO. 76855		
FED. ROAD DIST. NO. - ILLINOIS FED. AID PROJECT					