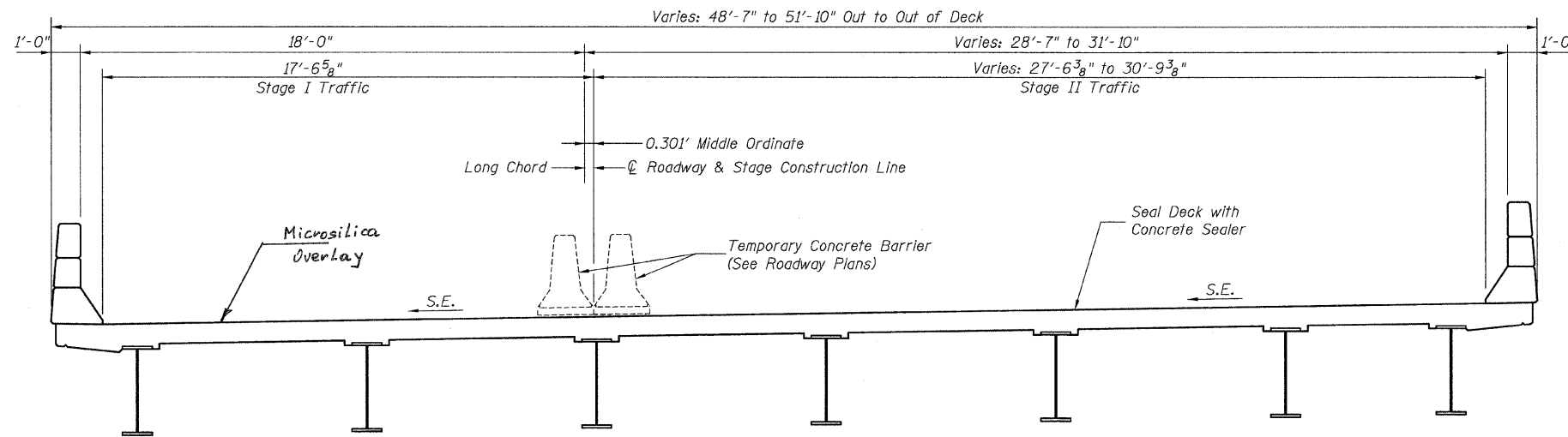
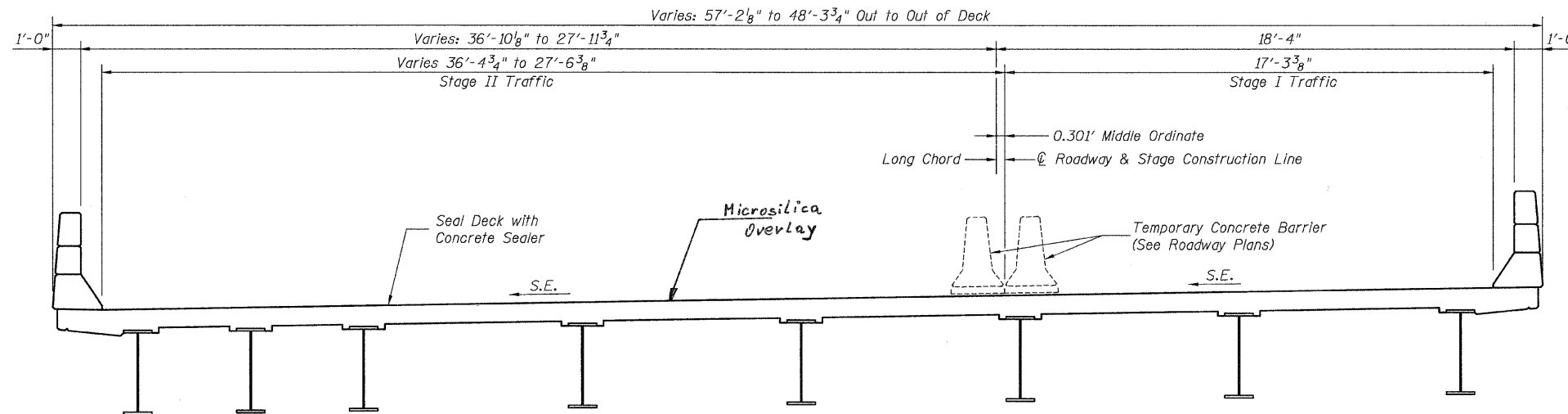


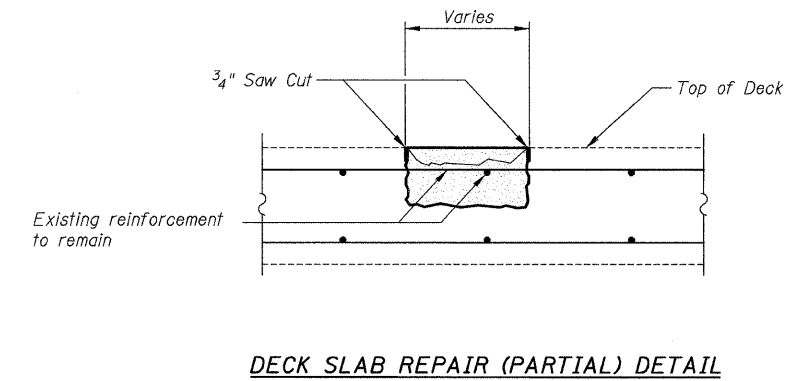
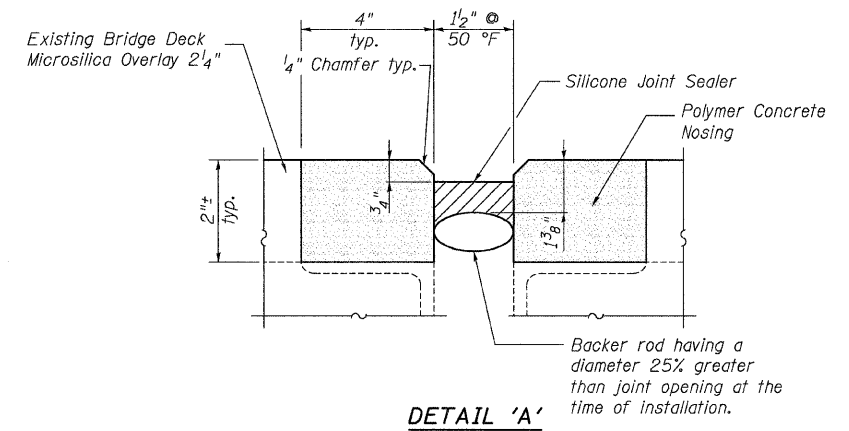
STATE OF ILLINOIS
DEPARTMENT OF TRANSPORTATION



EAST BOUND STRUCTURE - 082-0194
(Looking South)



WEST BOUND STRUCTURE - 082-0195
(Looking South)



DESIGNED	K.M.M.
CHECKED	B.G.H.
DRAWN	K.M.M.
CHECKED	B.G.H.

SUPERSTRUCTURE

SHEET NO. 3 3 SHEETS	F.A.I. RTE.	SECTION	COUNTY	TOTAL SHEETS	SHEET NO.
	64	82-(8,9,10)RS-3	ST. CLAIR	78	75
	S.N. 082-0194 & 082-0195		CONTRACT NO. 76855		
FED. ROAD DIST. NO. ILLINOIS FED. AID PROJECT					