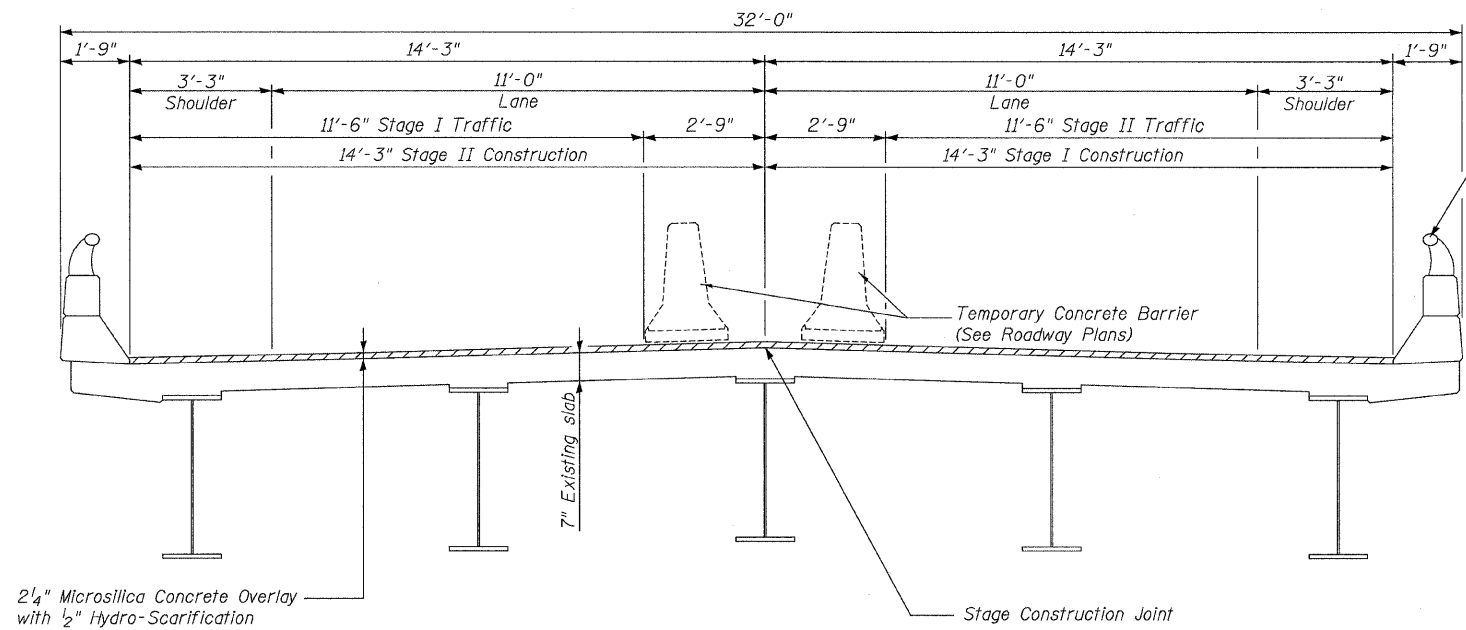
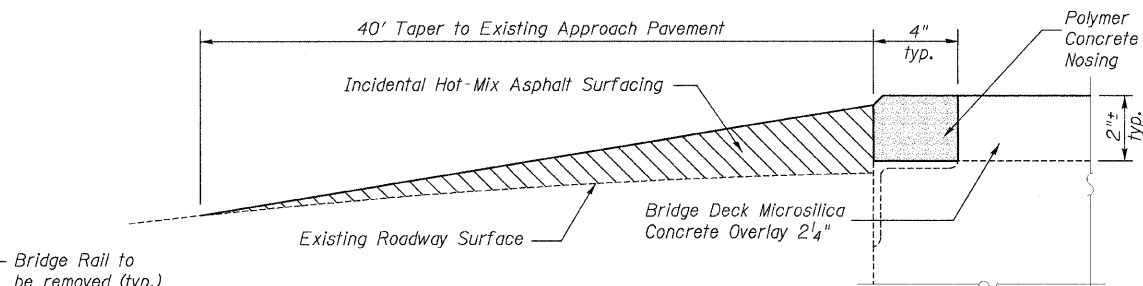


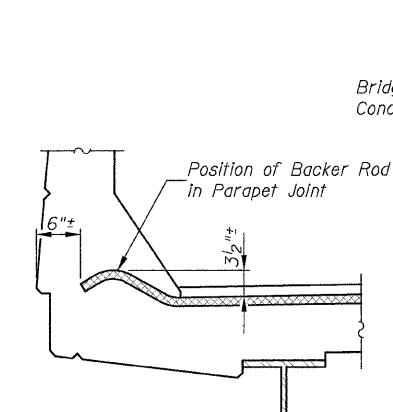
STATE OF ILLINOIS
DEPARTMENT OF TRANSPORTATION



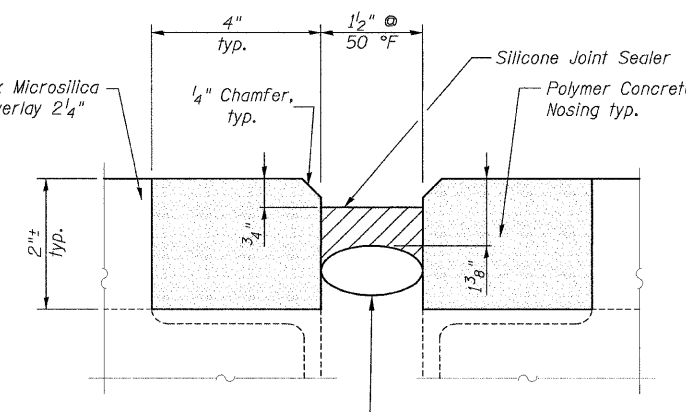
CROSS SECTION - MAIN SPANS
(Looking South)



DETAIL 'A'

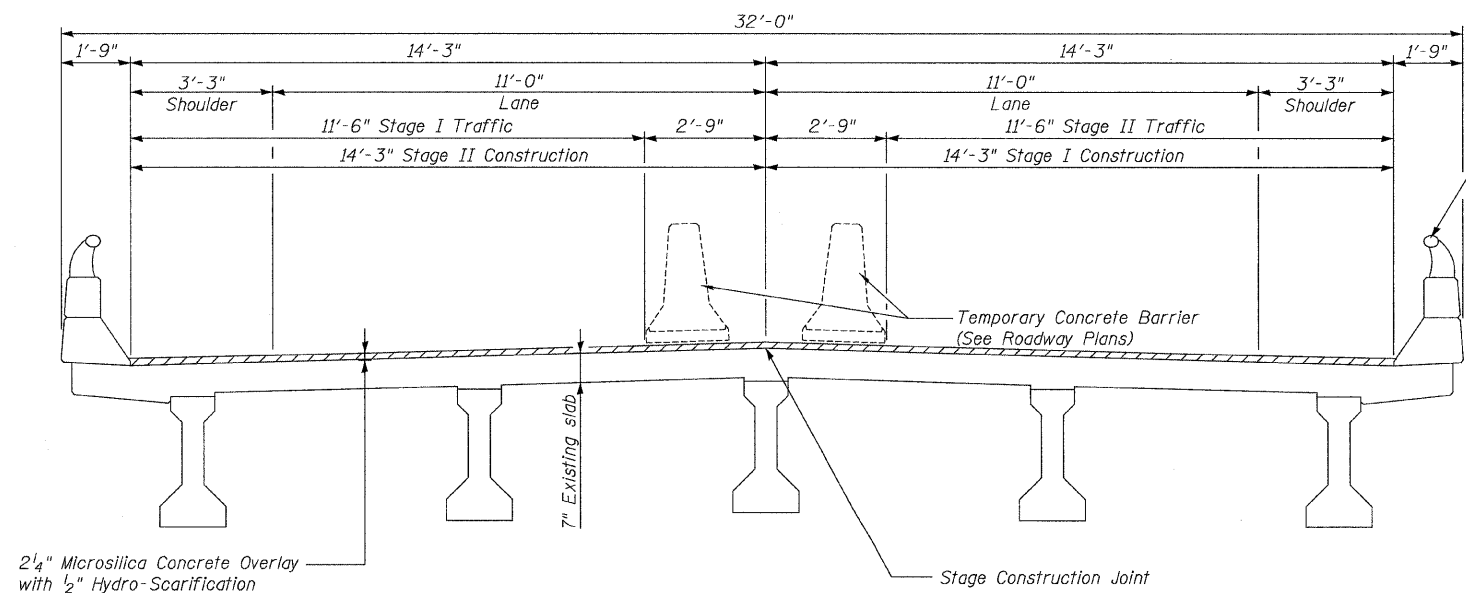


END OF JOINT DETAIL



DETAIL 'B'

Backer Rod having a diameter 25% greater than joint opening at the time of installation. See End of Joint Detail, this sheet, for termination in Parapet.



CROSS SECTION - APPROACH SPANS
(Looking South)

BILL OF MATERIAL

Item	Unit	Total
Incidental Hot-Mix Asphalt Surfacing	Ton	50
Bridge Deck Hydro-Scarification 1/2"	Sq. Yd.	853
Bridge Deck Microsilica Concrete Overlay 2 1/4"	Sq. Yd.	853
Silicone Joint Sealer	Foot	65
Polymer Concrete	Cu. Ft.	10.9

SUPERSTRUCTURE

SHEET NO.	F.A.I. RTE.	SECTION	COUNTY	TOTAL SHEETS	SHEET NO.
2	64	82-(8,9,10)RS-3	CLINTON	78	77
3 SHEETS			S.N. 014-0038		CONTRACT NO. 76855
FED. ROAD DIST. NO. ILLINOIS FED. AID PROJECT					

DESIGNED	K.M.M.
CHECKED	B.G.H.
DRAWN	K.M.M.
CHECKED	B.G.H.

Note:
Staging is for information only,
to be coordinated with roadway staging.