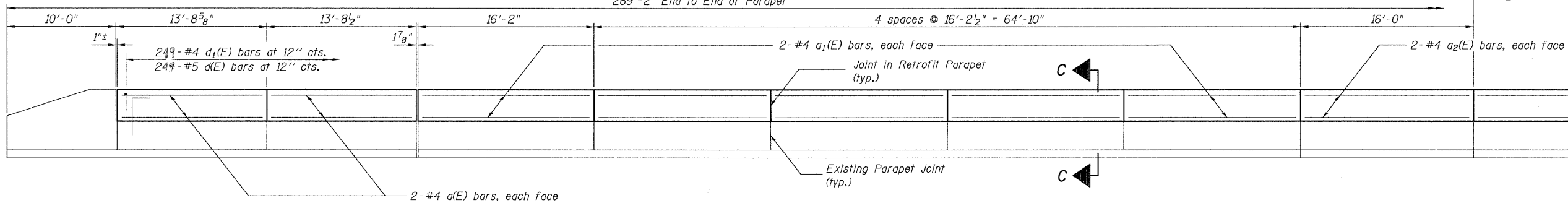


STATE OF ILLINOIS  
DEPARTMENT OF TRANSPORTATION

269'-2" End to End of Parapet

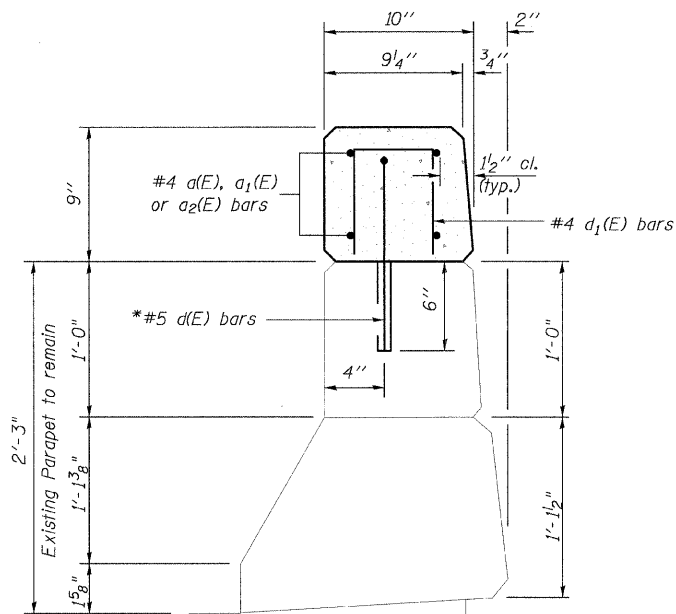
Symmetrical about  
C of Structure



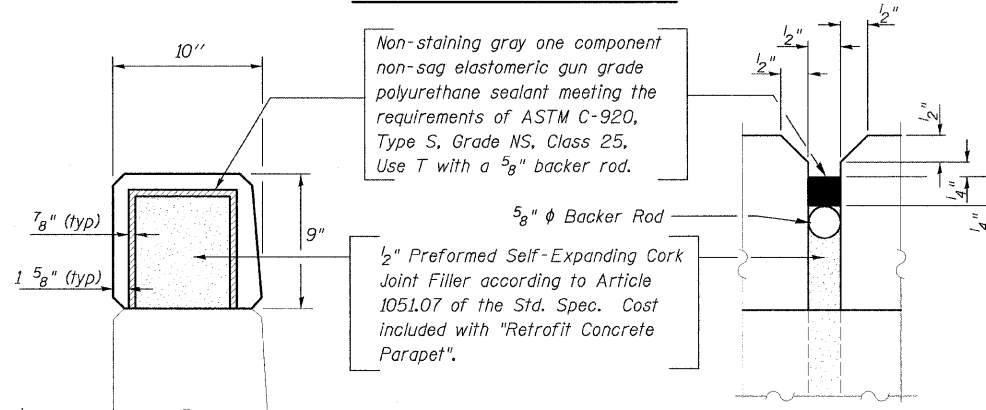
ELEVATION OF PARAPET

NOTES

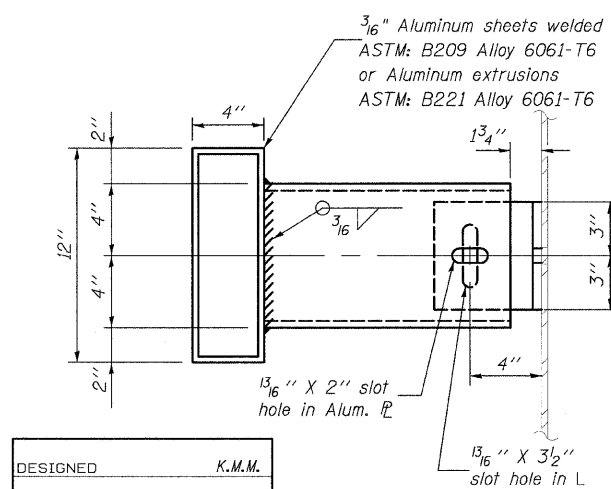
Class SI concrete shall be used throughout for cast-in-place option. All exposed edges shall be chamfered 3/4". Class SI concrete; reinforcement bars, epoxy coated; threaded anchor rods; 1/2" PJF and all other accessories needed for installation and erection shall be included in the cost of "Retrofit Concrete Parapet". The contractor shall use the capsule or the adhesive cartridge type anchor rods that have been previously tested and given a prior approval by the department. The contractor shall install these anchor rods in pre-drilled holes according to the manufacturer's recommendations and procedures. The capsule or the adhesive cartridge shall be sealed glass capsule or a sealed glass adhesive cartridge containing premeasured amount of adhesive chemical. The threaded rod stud with nut & washers shall conform to ASTM A307. The existing 3/4"φ and 1"φ welded studs shall be burned, sawed or chipped off flush with the top of the existing parapet. Holes for the dowel rods shall miss existing parapet joints. The concrete parapet retrofit will be measured for payment in foot (ft) along the top of parapet end to end. This work will be paid for at the contract unit price per foot (ft) of "Retrofit Concrete Parapet". \* Epoxy grout d(E) bars in 6" (min.) drilled holes according to Section 584 of the Standard Specifications.



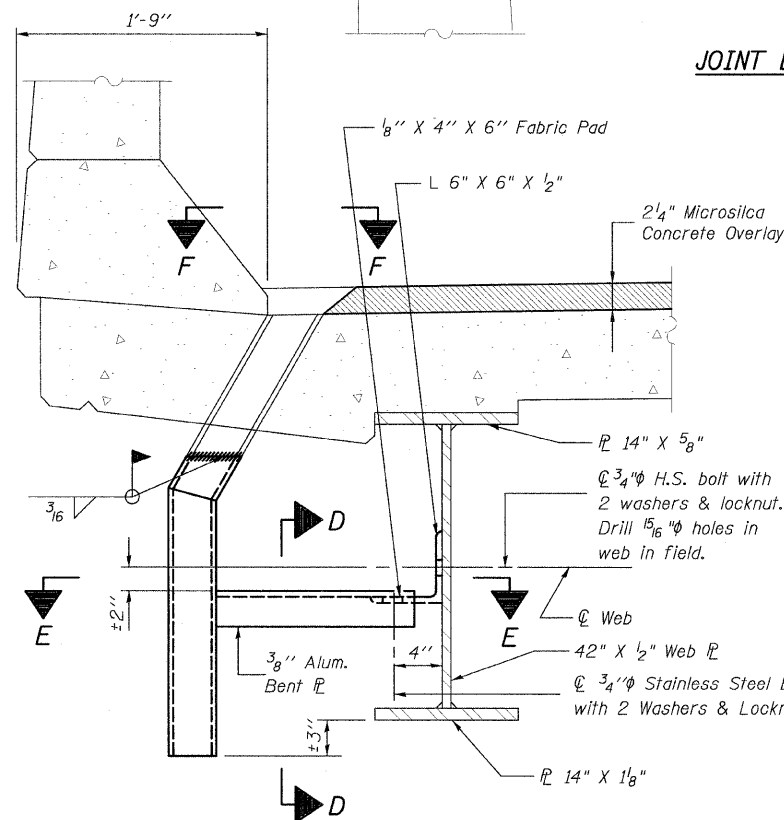
SECTION C-C



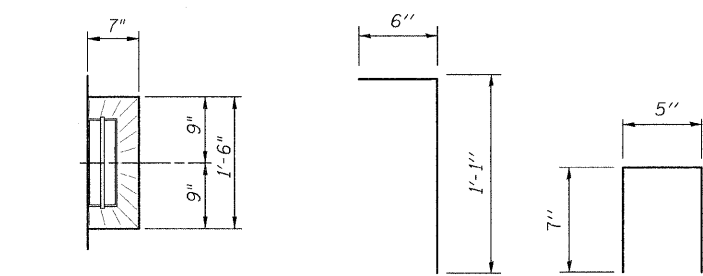
JOINT DETAIL



SECTION E-E



SECTION AT DRAIN



SECTION F-F  
(Top Plan showing Microsilica  
Concrete Overlay Finishing)

BAR d(E)

BAR d1(E)

REBAR LIST  
(FOR INFORMATION ONLY)

Bar	No.	Size	Length	Shape
a(E)	32	#4	13'-5"	—
a1(E)	80	#4	15'-11"	—
a2(E)	16	#4	15'-9"	—
d(E)	498	#5	1'-7"	└
d1(E)	498	#4	1'-7"	└
Reinforcement Bars, Epoxy Coated		Pound	2,740	

BILL OF MATERIAL

Item	Unit	Total
Bridge Rail Removal	Foot	498
Floor Drain Extensions	Each	8
Retrofit Concrete Parapet	Foot	498

PARAPET DETAILS

SHEET NO.	F.A.I. RTE.	SECTION	COUNTY	TOTAL SHEETS	SHEET NO.
3	64	82-(8,9,10)RS-3	CLINTON	78	78
S.N. 014-0038			CONTRACT NO. 76855		
FED. ROAD DIST. NO. - ILLINOIS FED. AID PROJECT					

DESIGNED	K.M.M.
CHECKED	B.G.H.
DRAWN	K.M.M.
CHECKED	B.G.H.