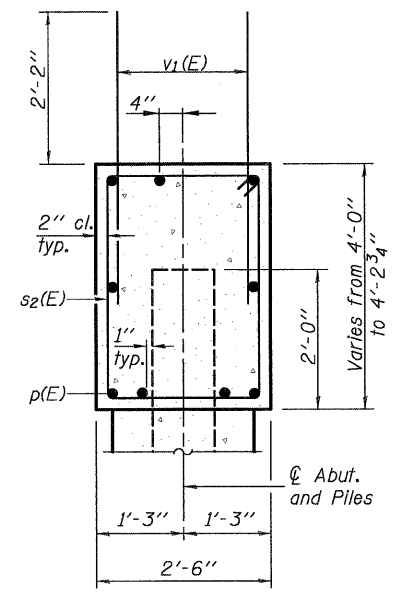
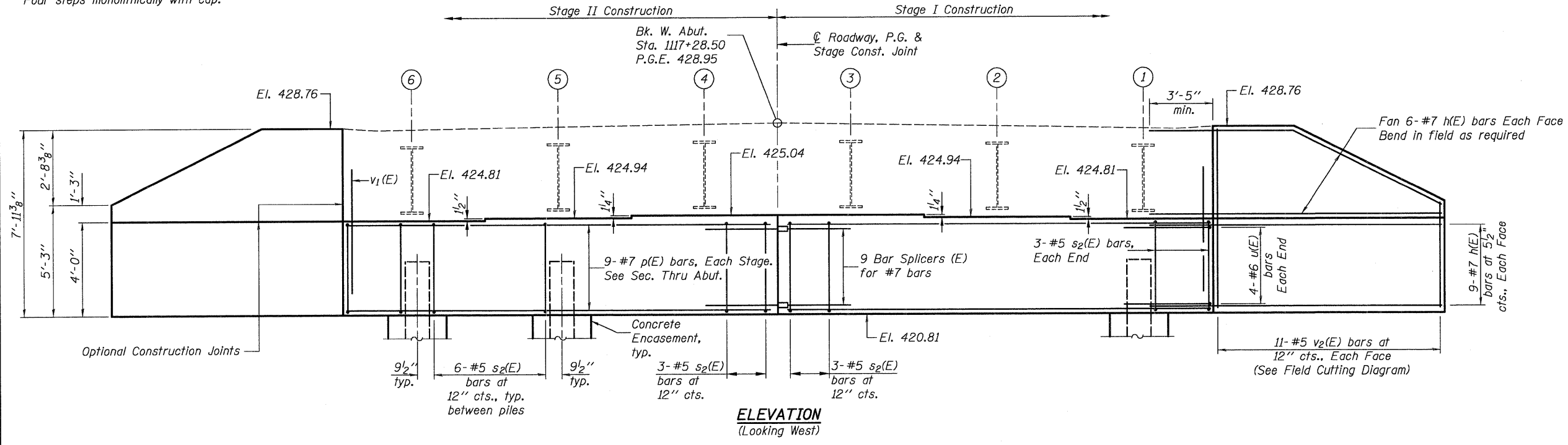


0140078.76976.20.WABT.DGN DEC. 8, 2008

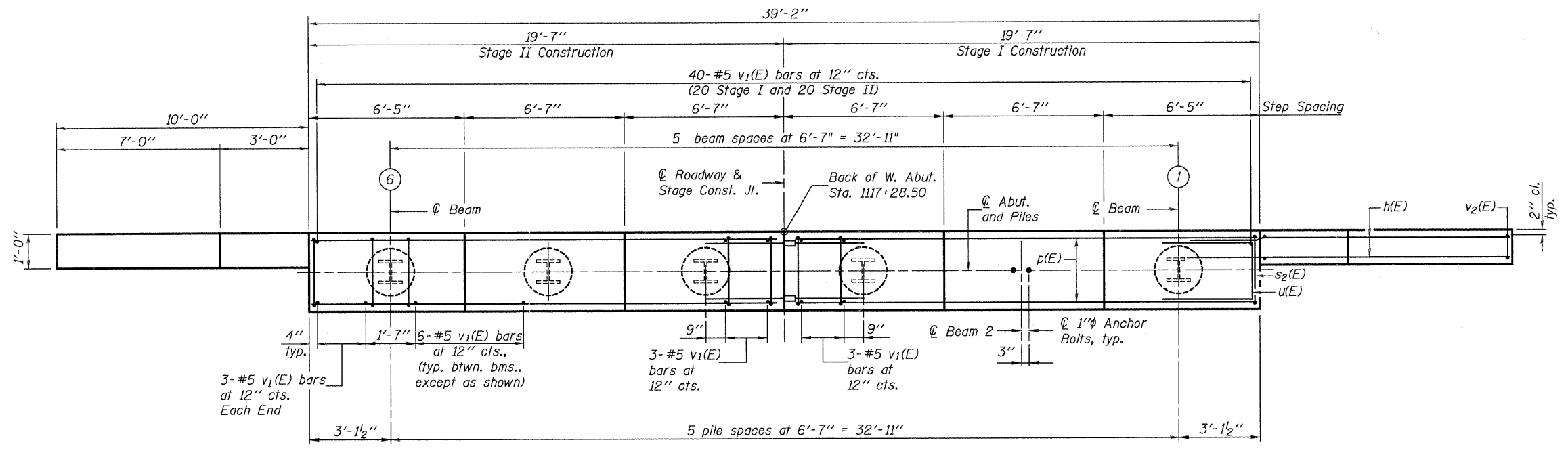
STATE OF ILLINOIS
DEPARTMENT OF TRANSPORTATION

Notes:
Space reinforcement in cap to miss anchor bolts.
Pour steps monolithically with cap.



ELEVATION
(Looking West)

SEC. THRU ABUT.

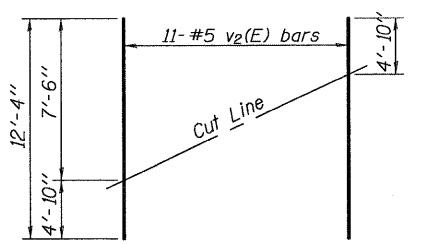


PLAN

PILE DATA

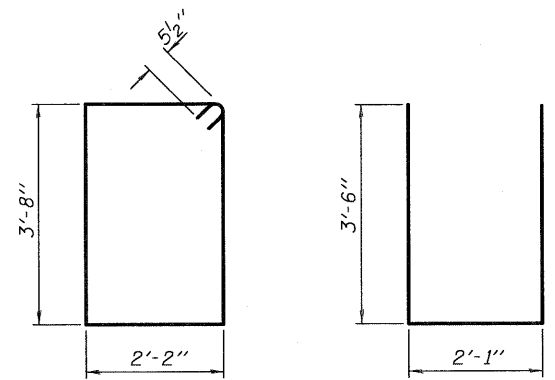
Type: HP 12x63
Nominal Required Bearing: 497 kips
Factored Resistance Available: 248 kips
Est. Length: 78 feet
No. Production Piles: 5
No. Test Piles: 1

DESIGNED	B.G.H.
CHECKED	L.D.G.
DRAWN	K.H.L.
CHECKED	B.G.H.
AI-0	5-16-08



FIELD CUTTING DIAGRAM

Order v2(E) full length. Cut as shown and use remainder of bars in opposite face.



BAR s2(E)

BAR u(E)

BILL OF MATERIAL

Bar	No.	Size	Length	Shape
h(E)	60	#7	14'-0\"	—
p(E)	18	#7	19'-3\"	—
s2(E)	36	#5	12'-7\"	□
u(E)	8	#6	9'-1\"	□
v1(E)	76	#5	4'-4\"	—
v2(E)	22	#5	12'-4\"	—
Structure Excavation		Cu. Yd.	87	
Concrete Structures		Cu. Yd.	20.1	
Reinforcement Bars, Epoxy Coated		Pound	3,640	
Furnishing Steel Piles HP 12x63		Foot	390	
Driving Piles		Foot	390	
Test Pile Steel HP 12x63		Each	1	
Concrete Encasement		Cu. Yd.	2.1	
Bar Splicers (E)		Each	9	

For details of Bar Splicers, see sheet 26 of 34.
For details of piles and Concrete Encasement, see sheet 27 of 34.

WEST ABUTMENT

SHEET NO. 20 34 SHEETS	F.A.P. RTE. 805	SECTION 126-BR-1	COUNTY CLINTON	TOTAL SHEETS 85	SHEET NO. 51
	S.N. 014-0078		CONTRACT NO. 76976		
FED. ROAD DIST. NO. ILLINOIS FED. AID PROJECT					

H.M. & G. NO. 6020.131