

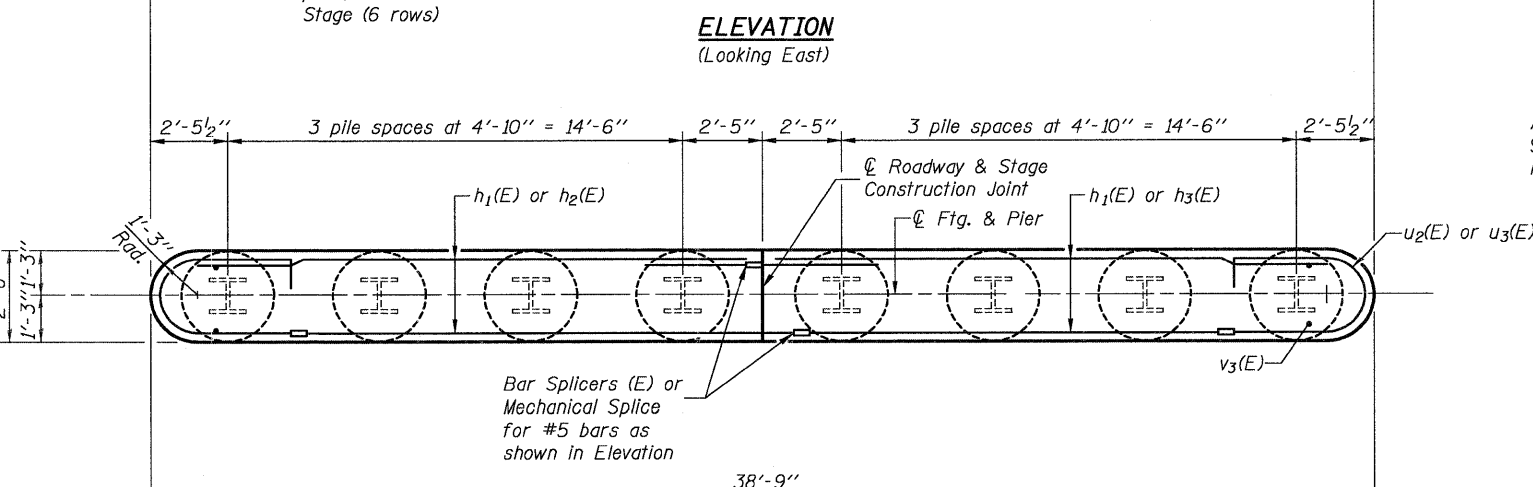
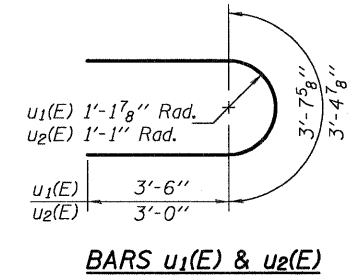
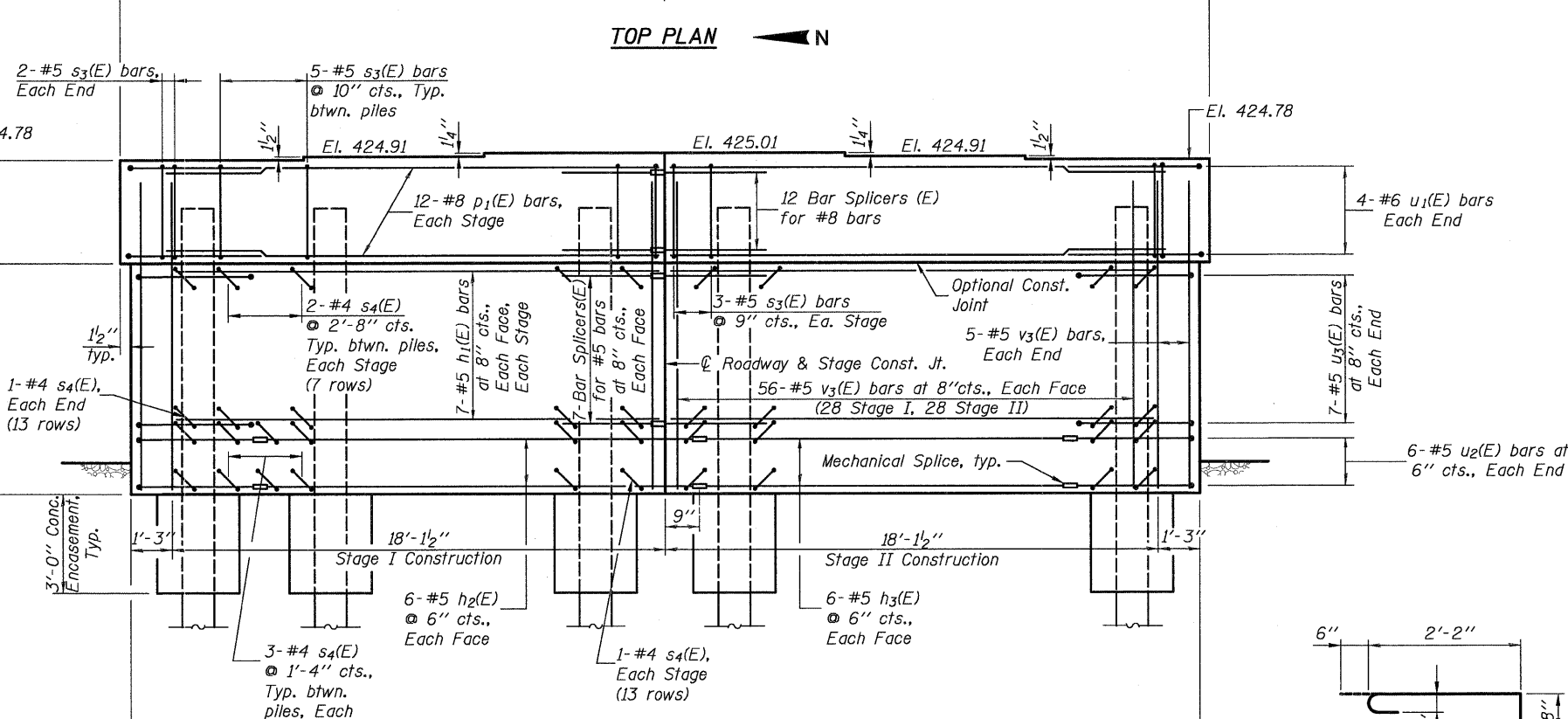
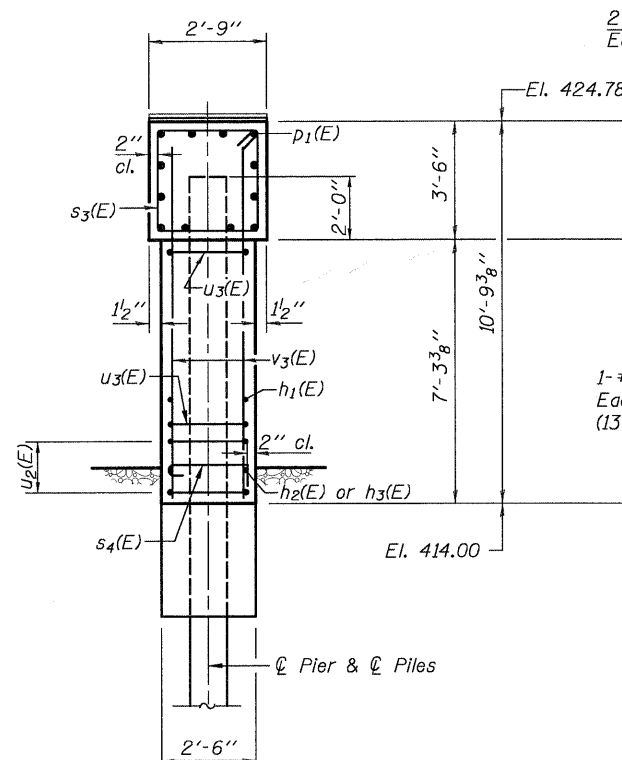
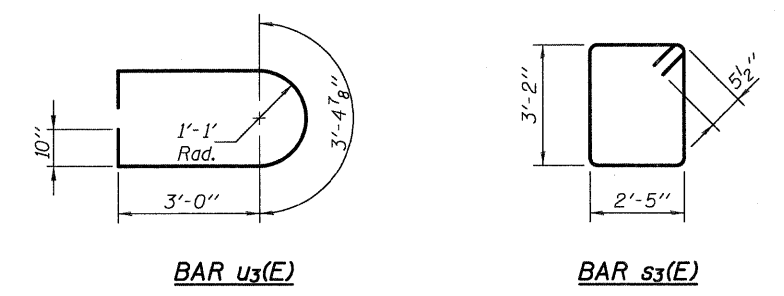
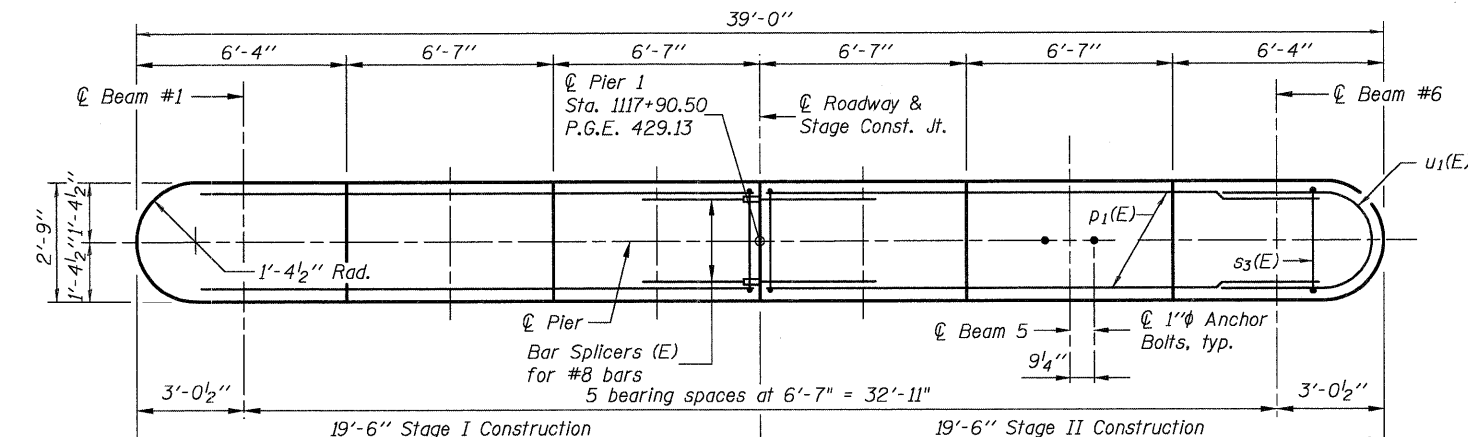
040078.76976-22.PIER1.DGN DEC. 8, 2008

STATE OF ILLINOIS
DEPARTMENT OF TRANSPORTATION

Notes:
Space reinforcement in cap to miss anchor bolts.
Pour steps monolithically with cap.

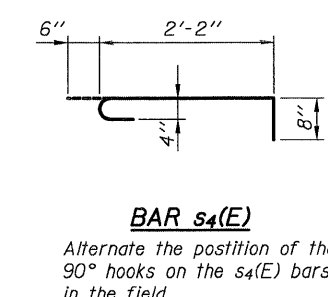
PILE DATA

Type:	HP 14x89
Nominal Required Bearing:	705 k
Factored Resistance Available:	324 k
Est. Length:	81 ft.
No. Production Piles:	7
No. Test Piles:	1



BILL OF MATERIAL

Bar	No.	Size	Length	Shape
h ₁ (E)	28	#5	18'-0"	—
h ₂ (E)	12	#5	15'-10"	—
h ₃ (E)	12	#5	14'-4"	—
p ₁ (E)	24	#8	18'-0"	—
s ₃ (E)	40	#5	12'-1"	□
s ₄ (E)	244	#4	3'-4"	┌
u ₁ (E)	8	#6	10'-8"	U
u ₂ (E)	12	#5	9'-5"	U
u ₃ (E)	14	#5	11'-1"	U
v ₃ (E)	122	#5	10'-3"	—
Structure Excavation		Cu. Yd.	11	
Concrete Structures		Cu. Yd.	39.8	
Reinforcement Bars, Epoxy Coated		Pound	4,820	
Furnishing Steel Piles HP 14x89		Foot	567	
Driving Piles		Foot	567	
Test Pile Steel HP 14x89		Each	1	
Mechanical Splice		Each	36	
Bar Splicers (E)		Each	26	
Concrete Encasement		Cu. Yd.	4.4	



For details of Bar Splicers, see sheet 26 of 34.
For details of piles and Concrete Encasement, see sheet 27 of 34.

DESIGNED	B.G.H.
CHECKED	L.D.G.
DRAWN	K.H.L.
CHECKED	B.G.H.

SHEET NO. 22 34 SHEETS	F.A.P. RTE. 805	SECTION 126-BR-1	COUNTY CLINTON	TOTAL SHEETS 85	SHEET NO. 53
	S.N. 014-0078		CONTRACT NO. 76976		
FED. ROAD DIST. NO. ILLINOIS FED. AID PROJECT					

PIER 1