

0140078.76976-24_PIER3.DGN DEC. 8, 2008

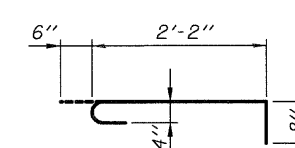
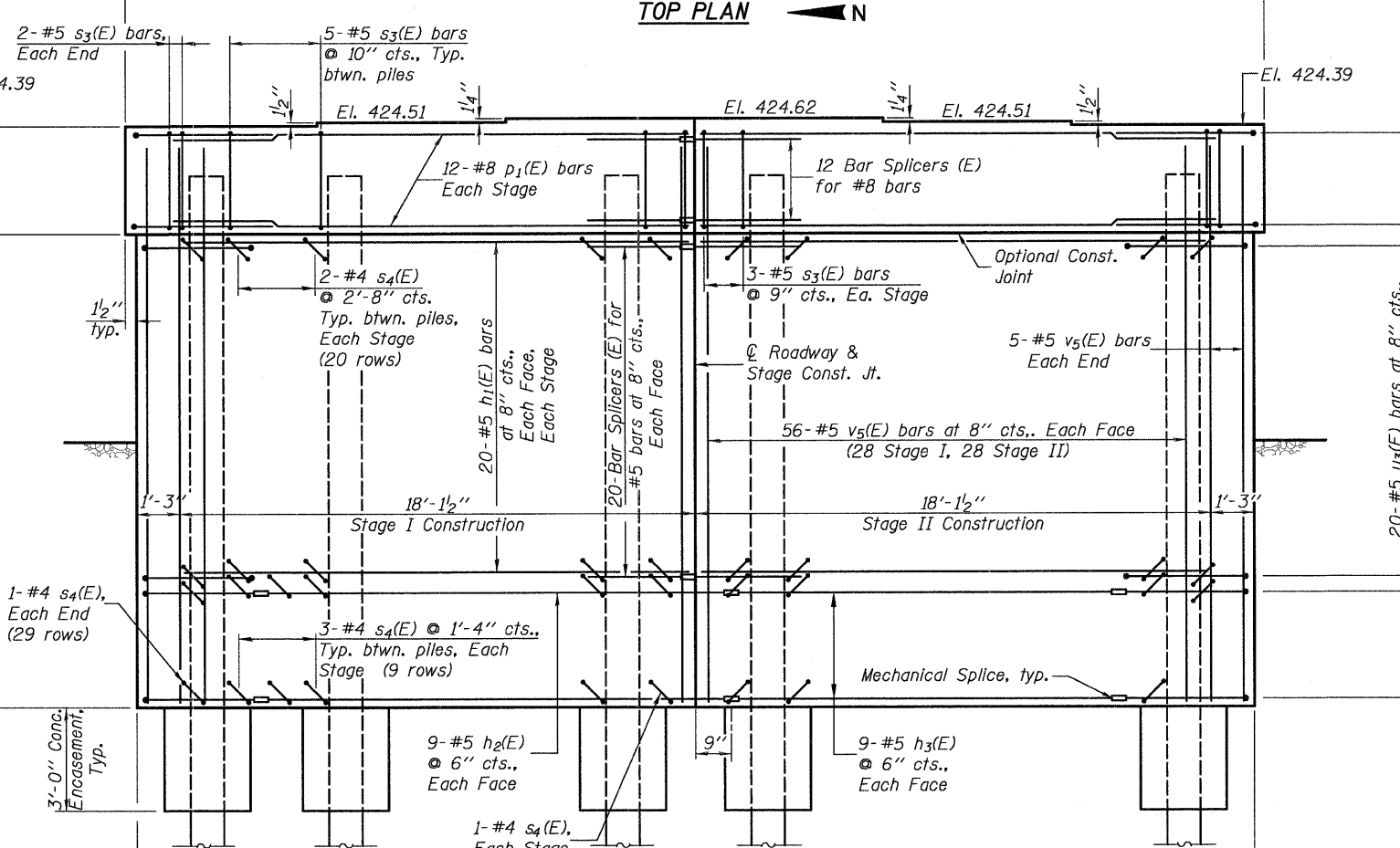
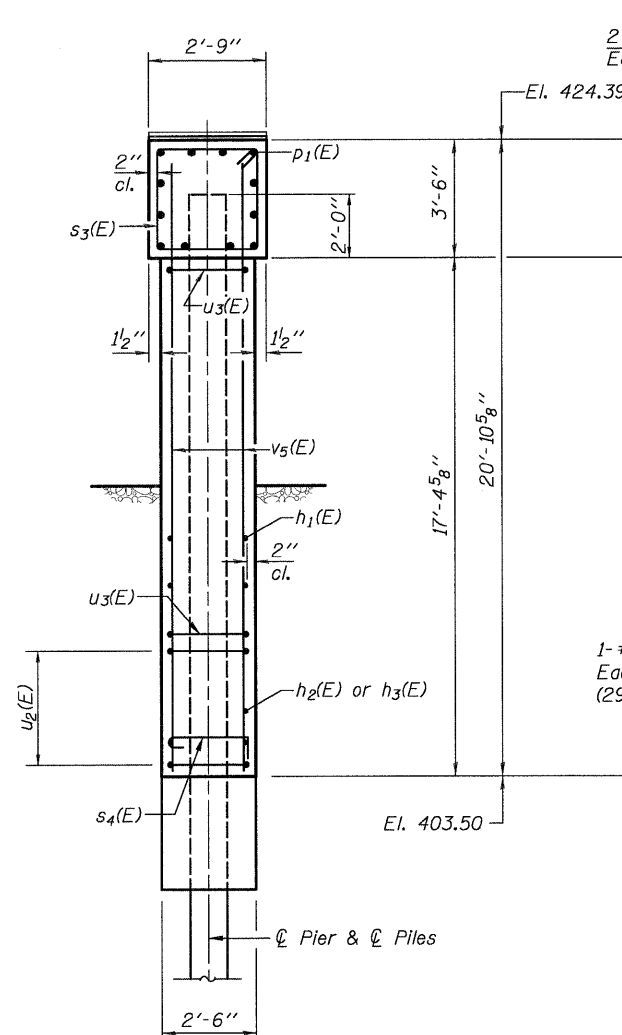
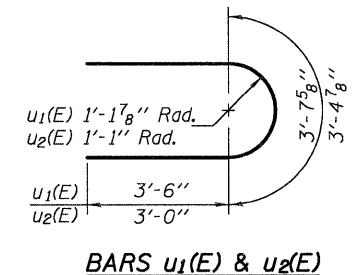
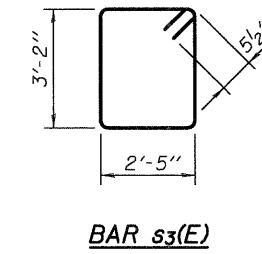
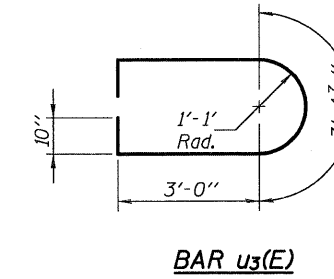
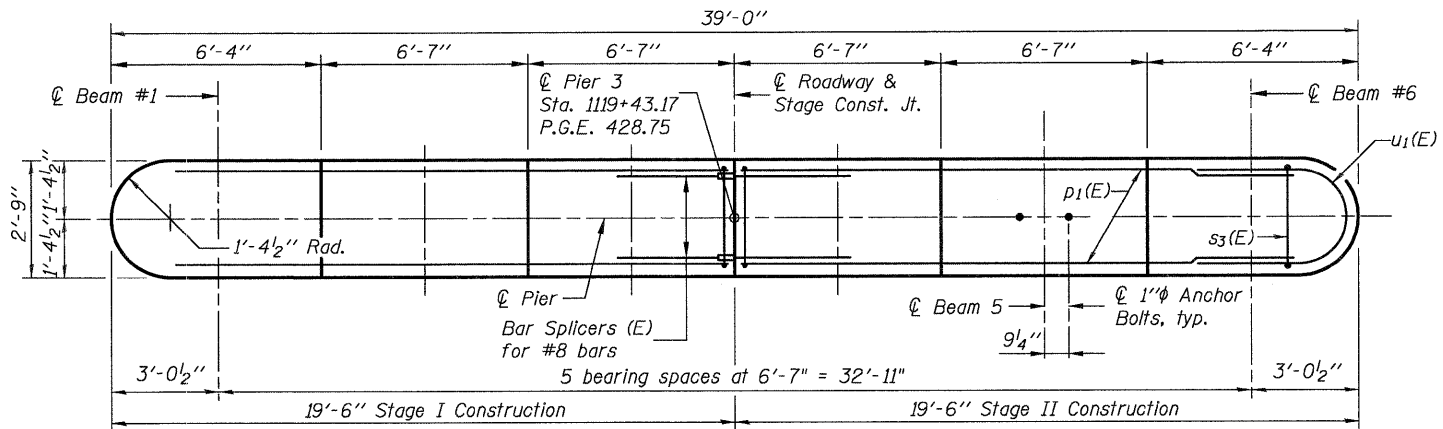
STATE OF ILLINOIS
DEPARTMENT OF TRANSPORTATION

Notes:

Space reinforcement in cap to miss anchor bolts.
Pour steps monolithically with cap.
If a portion of the pier wall or concrete encasement is under water, reinforcement may be placed underwater into forms. Concrete shall be tremied according to Article 503.08 of the Standard Specifications to an elevation of 1'-0" above the water line at the time of construction.

PILE DATA

Type:	HP 14x89
Nominal Required Bearing:	705 k
Factored Resistance Available:	352 k
Est. Length:	82 ft.
No. Production Piles:	7
No. Test Piles:	1



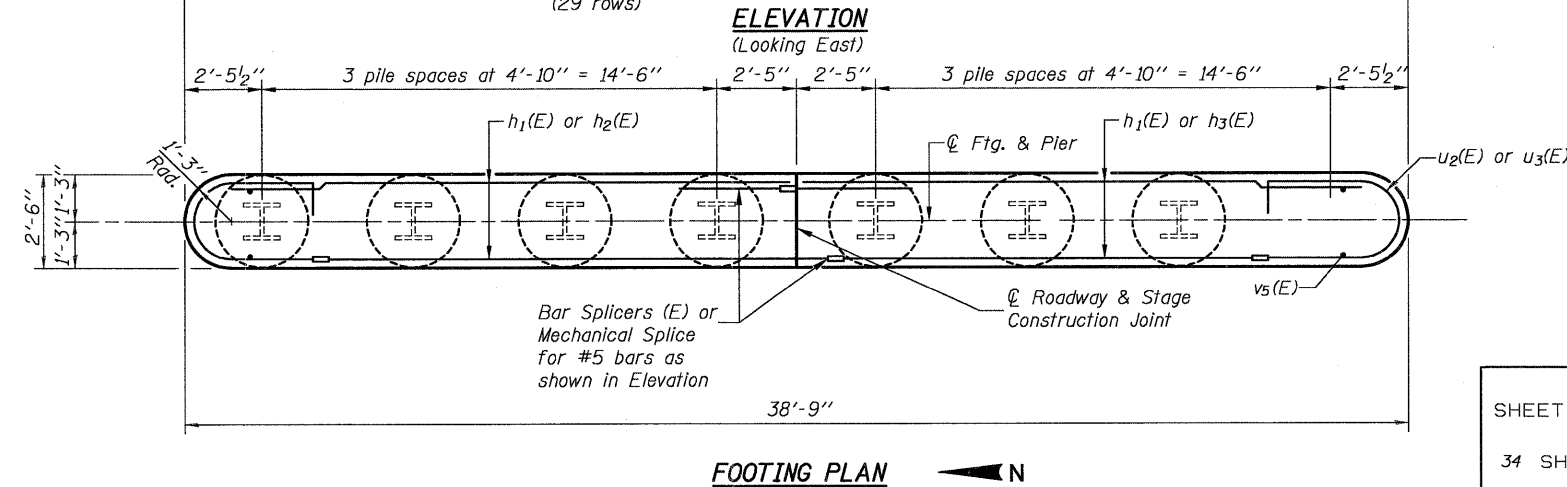
Alternate the position of the 90° hooks on the s4(E) bars in the field.

BILL OF MATERIAL

Bar	No.	Size	Length	Shape
h1(E)	80	#5	18'-0"	—
h2(E)	18	#5	15'-10"	—
h3(E)	18	#5	14'-4"	—
p1(E)	24	#8	18'-0"	—
s3(E)	40	#5	12'-1"	□
s4(E)	518	#4	3'-4"	┌
u1(E)	8	#6	10'-8"	U
u2(E)	18	#5	9'-5"	U
u3(E)	40	#5	11'-1"	U
v5(E)	122	#5	20'-4"	—
Structure Excavation		Cu. Yd.	118	
Concrete Structures		Cu. Yd.	75.7	
Reinforcement Bars, Epoxy Coated		Pound	8,240	
Furnishing Steel Piles HP 14x89		Foot	574	
Driving Piles HP 14x89		Foot	574	
Test Pile Steel HP 14x89		Each	1	
Mechanical Splice		Each	54	
Bar Splicers (E)		Each	52	
Concrete Encasement		Cu. Yd.	4.4	
Underwater Structure Excavation Protection - Location 2		Each	1	

For details of Bar Splicers, see sheet 26 of 34.
For details of piles and Concrete Encasement, see sheet 27 of 34.

DESIGNED	B.G.H.
CHECKED	L.D.G.
DRAWN	K.H.L.
CHECKED	B.G.H.



PIER 3

SHEET NO. 24 34 SHEETS	F.A.P. RTE. 805	SECTION 126-BR-1	COUNTY CLINTON	TOTAL SHEETS 85	SHEET NO. 55
	S.N. 014-0078		CONTRACT NO. 76976		
FED. ROAD DIST. NO. ILLINOIS FED. AID PROJECT					