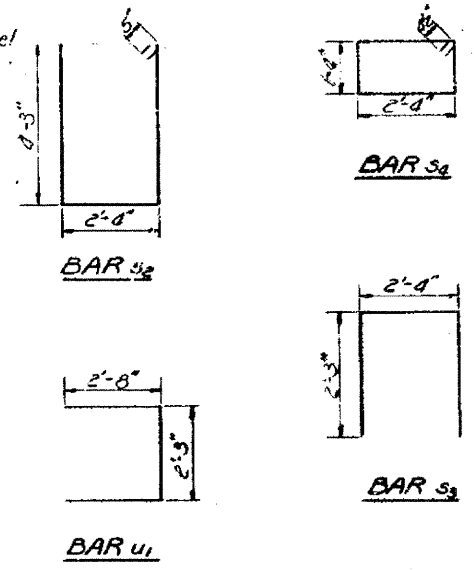
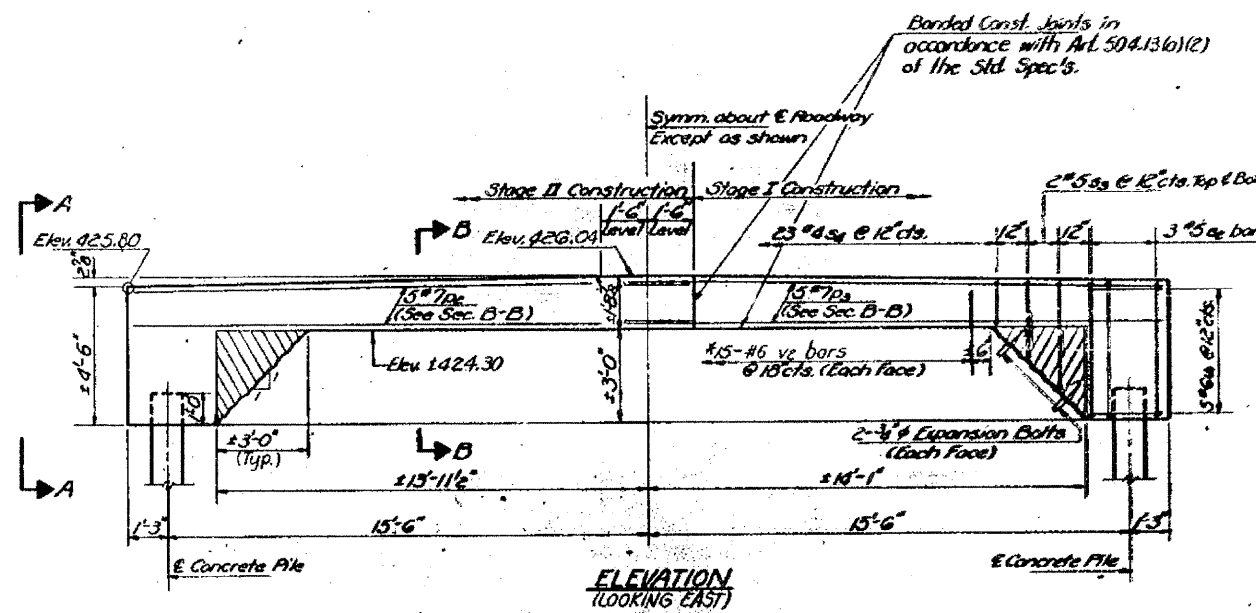
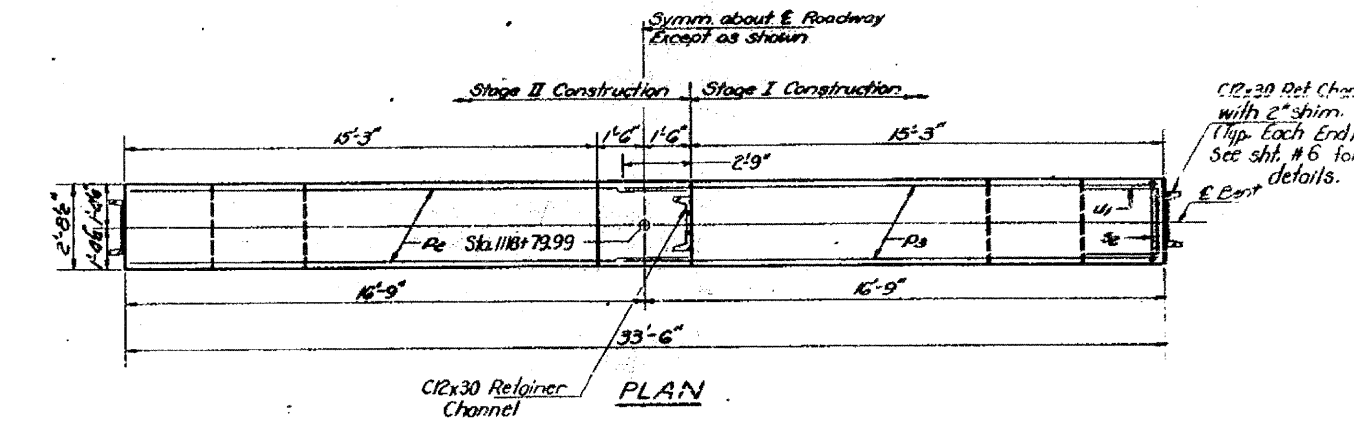
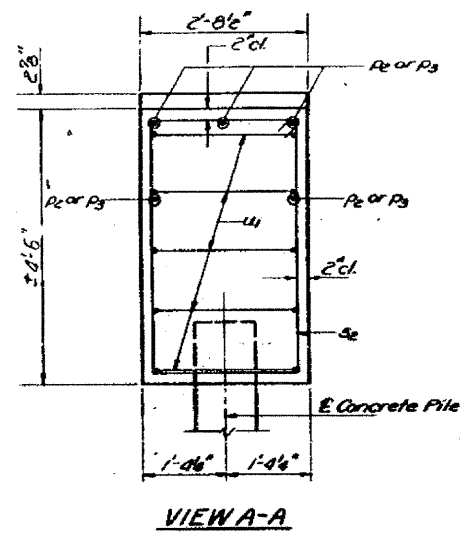
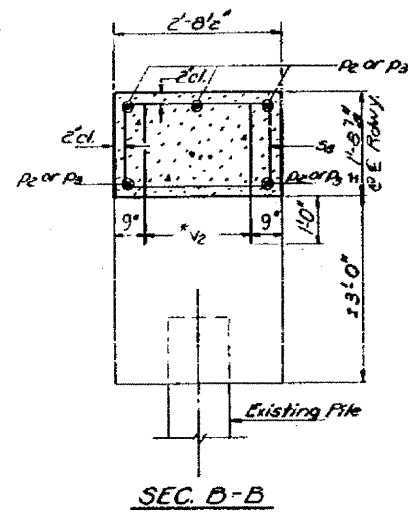


STATE OF ILLINOIS
DEPARTMENT OF TRANSPORTATION

DATE	30	18	SHEET NO. 11
NO. SHEETS	18 SHEETS		



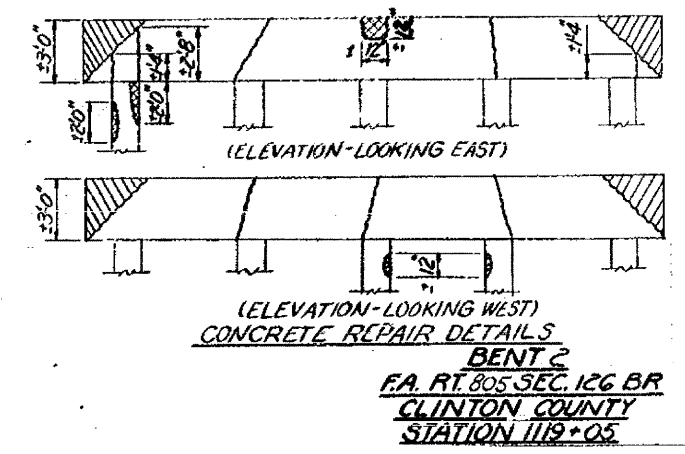
BILL OF MATERIAL

Bar No.	Size	Length	Shape
Pa	#7	18'-0"	—
Pb	#7	18'-0"	—
Pa	#5	14'-0"	□
Pb	#5	6'-10"	□
Pa	#8	8'-1"	□
u	#6	7'-7"	□
v	#6	2'-6"	—

Material	Qty.	Unit
Class X Concrete	79	Cu. Yd.
Concrete Removal	1	Cu. Yd.
Reinforcement Bars Round	860	Lbs.
Expansion Bolts 1/2" Dia.	8	Each
Concrete Piles	100	Lbs.

FILE DATA
Type: Concrete
Capacity: 45 Tons
Est. Length: 50'
No. Reql: 2

Notes:
Hatched area denotes existing concrete to be removed.
Existing Reinforcement extending into removed area shall be cleaned and incorporated into new construction.
Expansion bolts shall be anchored in sound concrete.
Cross hatched areas indicate existing concrete to be repaired.



DESIGNED: *John S. Sutherland*
CHECKED: *John S. Sutherland*
DRAWN: *John S. Sutherland*
CHECKED: *LK GR*

DESIGNED: *John S. Sutherland*
CHECKED: *John S. Sutherland*
DRAWN: *John S. Sutherland*
CHECKED: *Richard J. Hollerman*

FOR INFORMATION ONLY

FILE NAME: c:\pwwork\pwwork\geolink\des51845\pln0836a.dgn	USER NAME: geolink	DESIGNED: HG	REVISIONS:	STATE OF ILLINOIS DEPARTMENT OF TRANSPORTATION	EXISTING STRUCTURE	F.A.P. RITE: 805	SECTION: 126-BR-1	COUNTY: CLINTON	TOTAL SHEETS: 85	SHEET NO.: 76
PLOT SCALE: 1/8" = 1'-0"	PLOT DATE: 12/19/2008	DRAWN: HG	CHECKED: GR	SCALE: 1" = 30"	SHEET NO. OF SHEETS	FED. ROAD DIST. NO. ILLINOIS FED. AID PROJECT		CONTRACT NO. 76976		