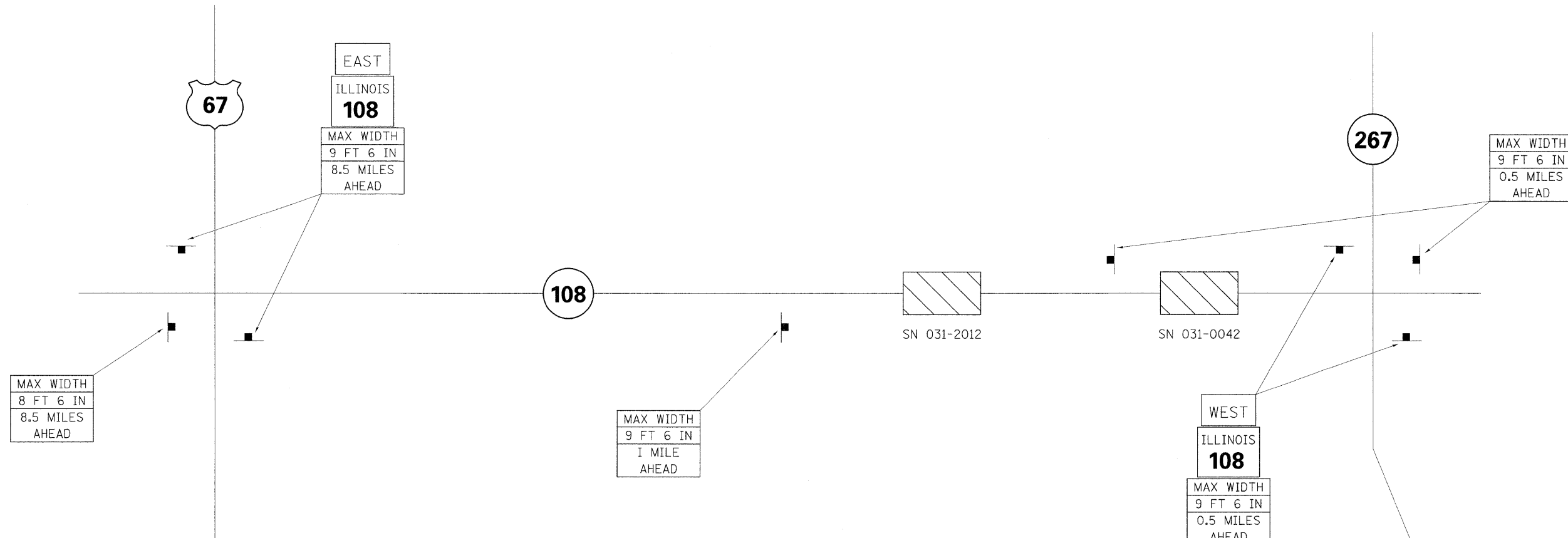
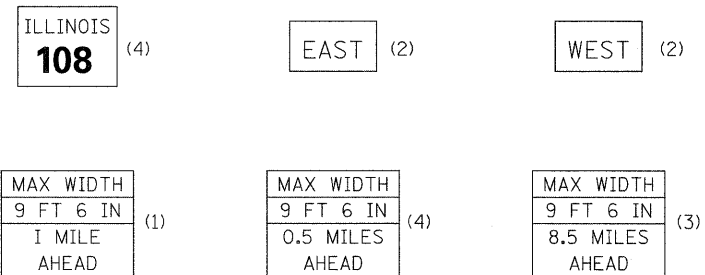


NOTES:

1. ALL SIGNS REQUIRED WILL BE SUPPLIED TO THE CONTRACTOR BY I.D.O.T.
2. THE CONTRACTOR SHALL FURNISH THE POSTS AND ERECT SIGNS AT THE LOCATIONS SHOWN ON THIS SHEET, AS DIRECTED BY THE R.E./R.T.
3. THE CONTRACTOR SHALL GIVE ILLINOIS DEPARTMENT OF TRANSPORTATION, BUREAU OF OPERATIONS TWO WEEKS NOTICE FOR SIGNS. THE CONTRACTOR SHALL PICK UP THE SIGNS AT THE T.M. BUILDING IN FAIRVIEW HEIGHTS, AND RETURN THEM UPON COMPLETION OF THE CONTRACT. CONTACT JEAN SLAPE AT 346-3289.
4. THE ABOVE NOTED WORK SHALL BE PAID FOR AT THE CONTRACT UNIT PRICE, LUMP SUM, FOR WIDE LOAD SIGNING AND NO OTHER COMPENSATION WILL BE ALLOWED.
5. SIGN SPACING WILL BE 400' OR TO FIT FIELD CONDITIONS.
6. THE HEIGHT TO THE BOTTOM OF THE LOWEST SIGN SHALL NOT BE LESS THAN 6'.



SIGNS REQUIRED



FILE NAME =	USER NAME = harbaughrd	DESIGNED -	REVISED -	STATE OF ILLINOIS DEPARTMENT OF TRANSPORTATION	WIDE LOAD SIGNING			F.A.P. RTE.	SECTION	COUNTY	TOTAL SHEETS	SHEET NO.	
es:\pw_work\pwidot\harbaughrd\dms51883\p	21506a.dgn	DRAWN -	REVISED -					761	104-BR-2	GREENE	82	16	
PLOT SCALE = 50.0000' / IN.	CHECKED -	REVISED -	SCALE:					SHEET NO.	OF SHEETS	STA.	TO STA.	CONTRACT NO. 76987	
PLOT DATE = 12/13/2008	DATE -	REVISED -	FED. ROAD DIST. NO.					ILLINOIS		FED. AID PROJECT			