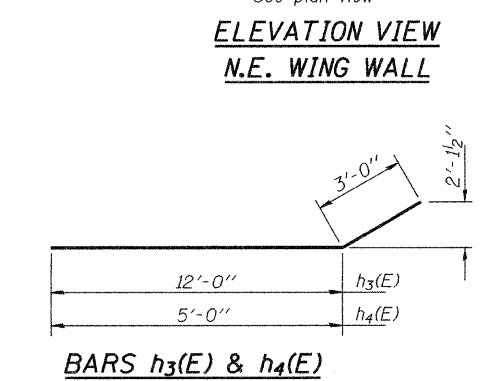
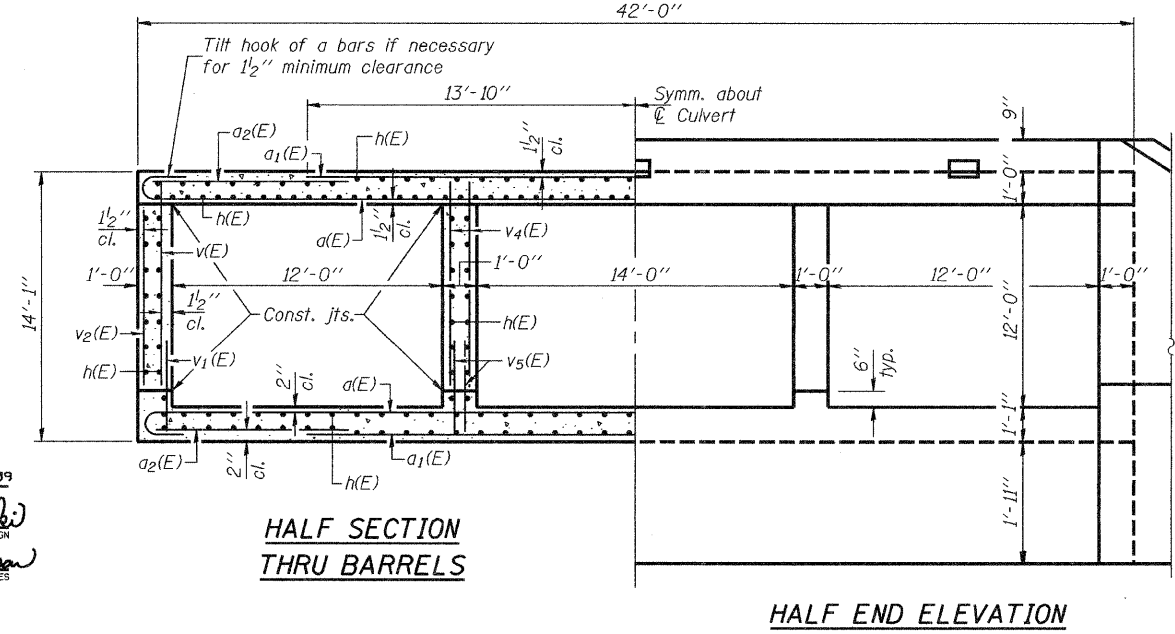
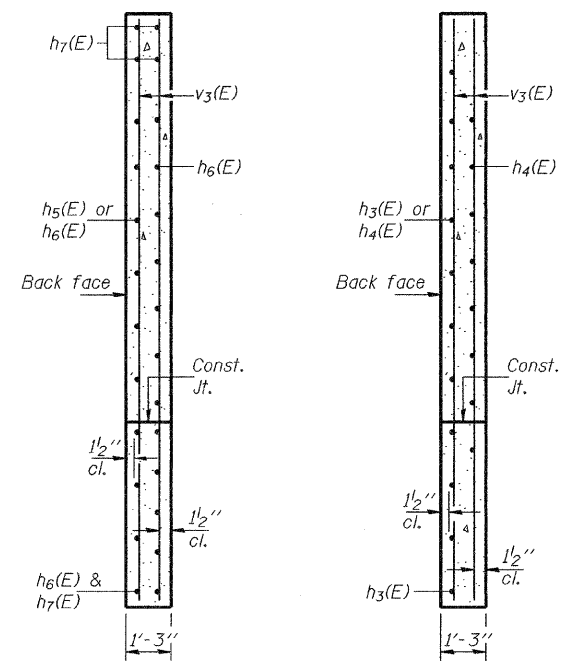
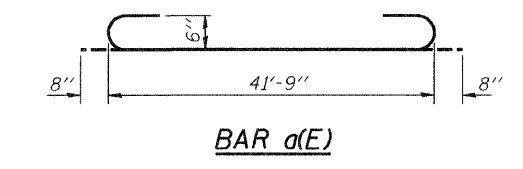
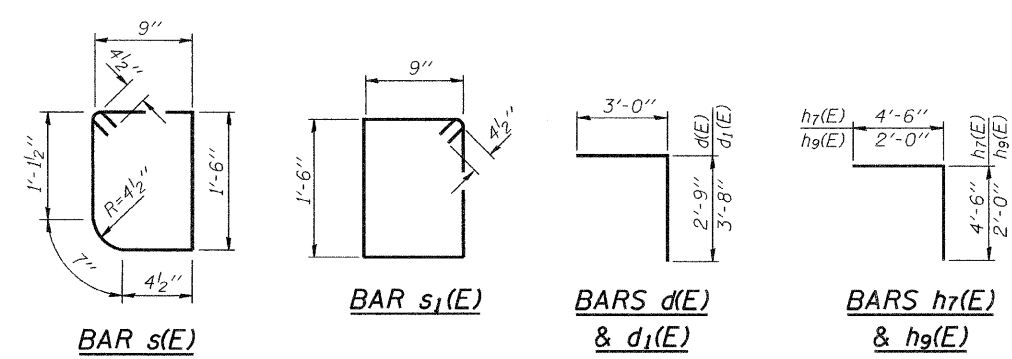
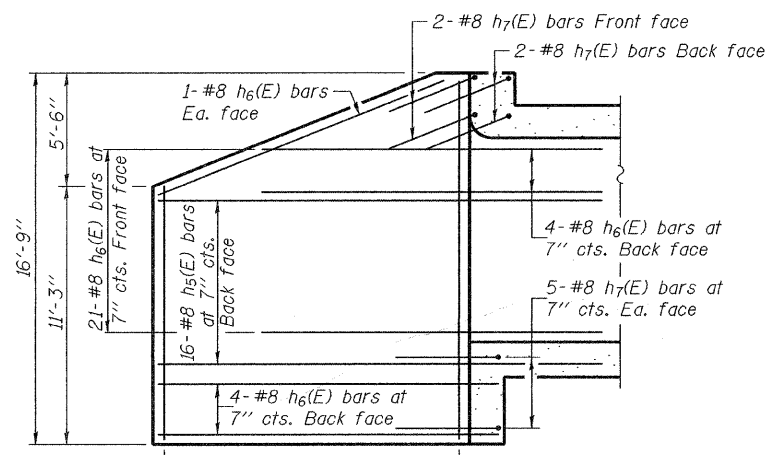
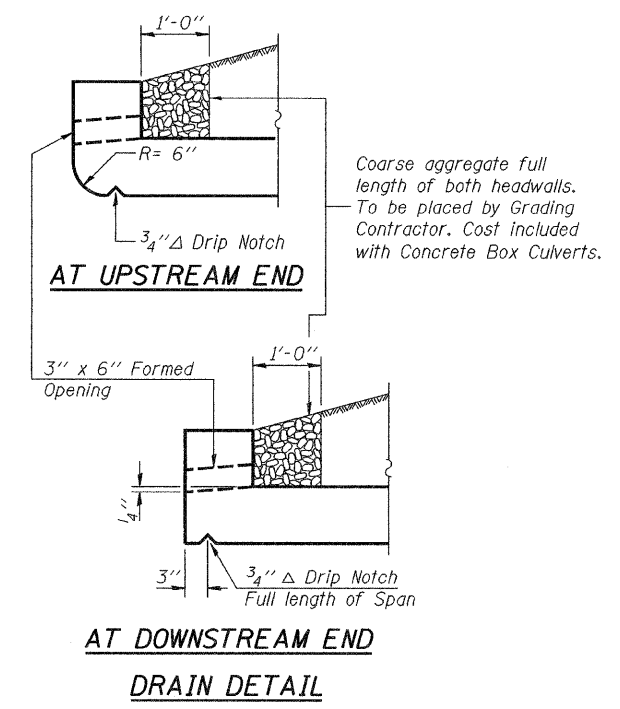
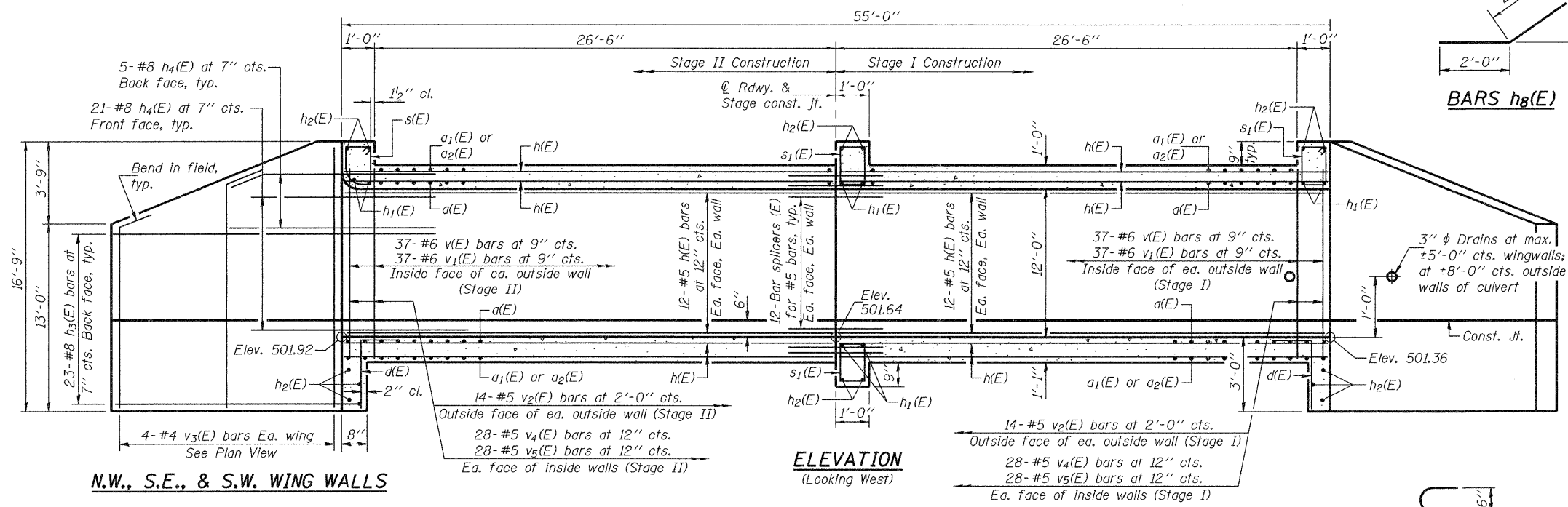


STATE OF ILLINOIS  
DEPARTMENT OF TRANSPORTATION



**BILL OF MATERIAL**

Bar	No.	Size	Length	Shape
a(E)	144	#6	43'-1"	—
a <sub>1</sub> (E)	164	#7	27'-8"	—
a <sub>2</sub> (E)	112	#4	8'-9"	—
b(E)	46	#4	25'-0"	—
b <sub>1</sub> (E)	64	#4	22'-9"	—
b <sub>2</sub> (E)	150	#4	13'-9"	—
d(E)	243	#4	5'-9"	—
d <sub>1</sub> (E)	18	#4	6'-8"	—
h(E)	536	#5	27'-3"	—
h <sub>1</sub> (E)	8	#8	41'-9"	—
h <sub>2</sub> (E)	14	#7	41'-9"	—
h <sub>3</sub> (E)	69	#8	15'-0"	—
h <sub>4</sub> (E)	78	#8	8'-0"	—
h <sub>5</sub> (E)	16	#8	17'-9"	—
h <sub>6</sub> (E)	31	#8	12'-5"	—
h <sub>7</sub> (E)	14	#8	9'-0"	—
h <sub>8</sub> (E)	24	#4	4'-0"	—
h <sub>9</sub> (E)	15	#4	4'-0"	—
s(E)	43	#4	5'-1"	—
s <sub>1</sub> (E)	129	#4	5'-3"	—
v(E)	148	#6	12'-3"	—
v <sub>1</sub> (E)	148	#6	4'-2"	—
v <sub>2</sub> (E)	57	#5	11'-3"	—
v <sub>3</sub> (E)	16	#4	16'-6"	—
v <sub>4</sub> (E)	224	#5	12'-3"	—
v <sub>5</sub> (E)	224	#5	3'-9"	—
Concrete Box Culverts		Cu. Yd.	388	
Reinforcement Bars, Epoxy Coated		Lbs.	56190	

DESIGNED Jay D. Edwards  
 CHECKED Mike D. Rolape  
 DRAWN h.t. duong  
 CHECKED JDE/MDR

EXAMINED Thomas J. Domagalak  
 PASSED Robert E. Anderson

Jan 15, 2009

**CULVERT DETAILS**  
**STRUCTURE NO. 031-2012**

SHEET NO. 7	F.A.P. RTE. 761	SECTION 104-BR-2	COUNTY GREENE	TOTAL SHEETS 82	SHEET NO. 30
11 SHEETS	CONTRACT NO. 76987		ILLINOIS FED. AID PROJECT		