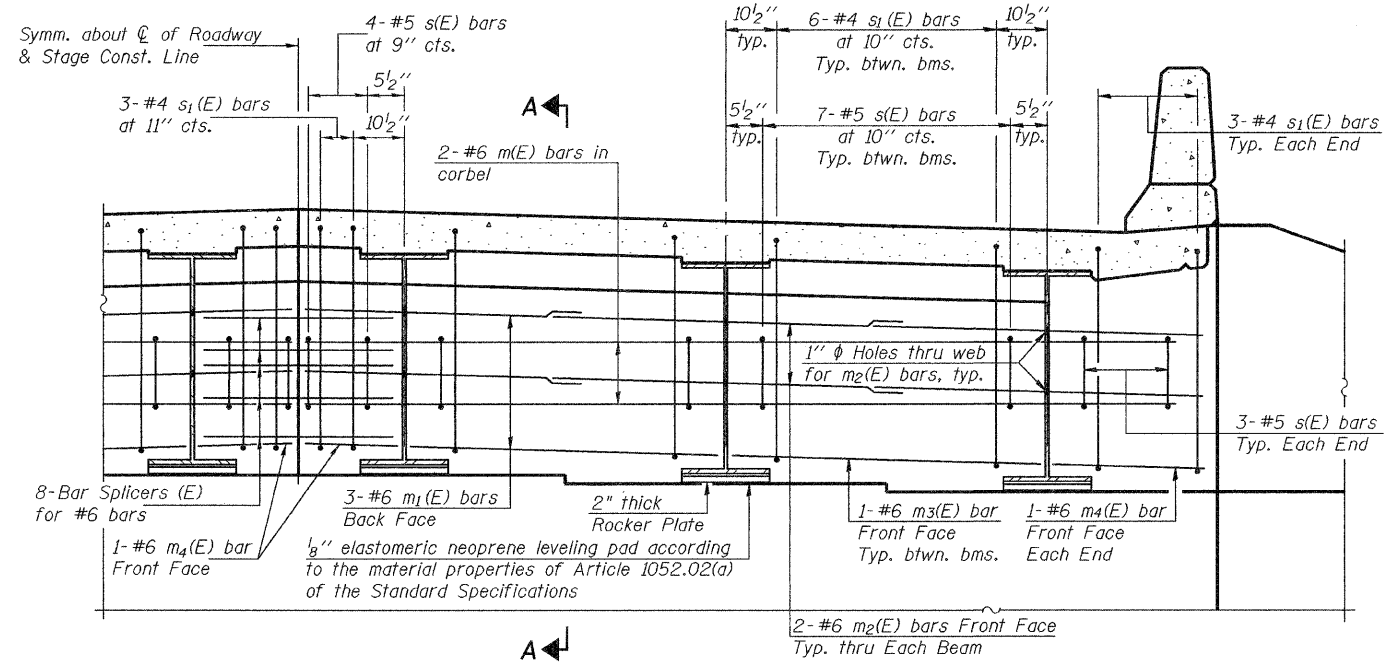


STATE OF ILLINOIS
DEPARTMENT OF TRANSPORTATION

ROUTE NO.	SECTION	COUNTY	TOTAL SHEETS	SHEET NO.	SHEET NO. 11
FAP 761	104-BR-2	GREENE	82	60	20 SHEETS
FED. ROAD DIST. NO. 7		ILLINOIS FED. AID PROJECT			

Contract #76987



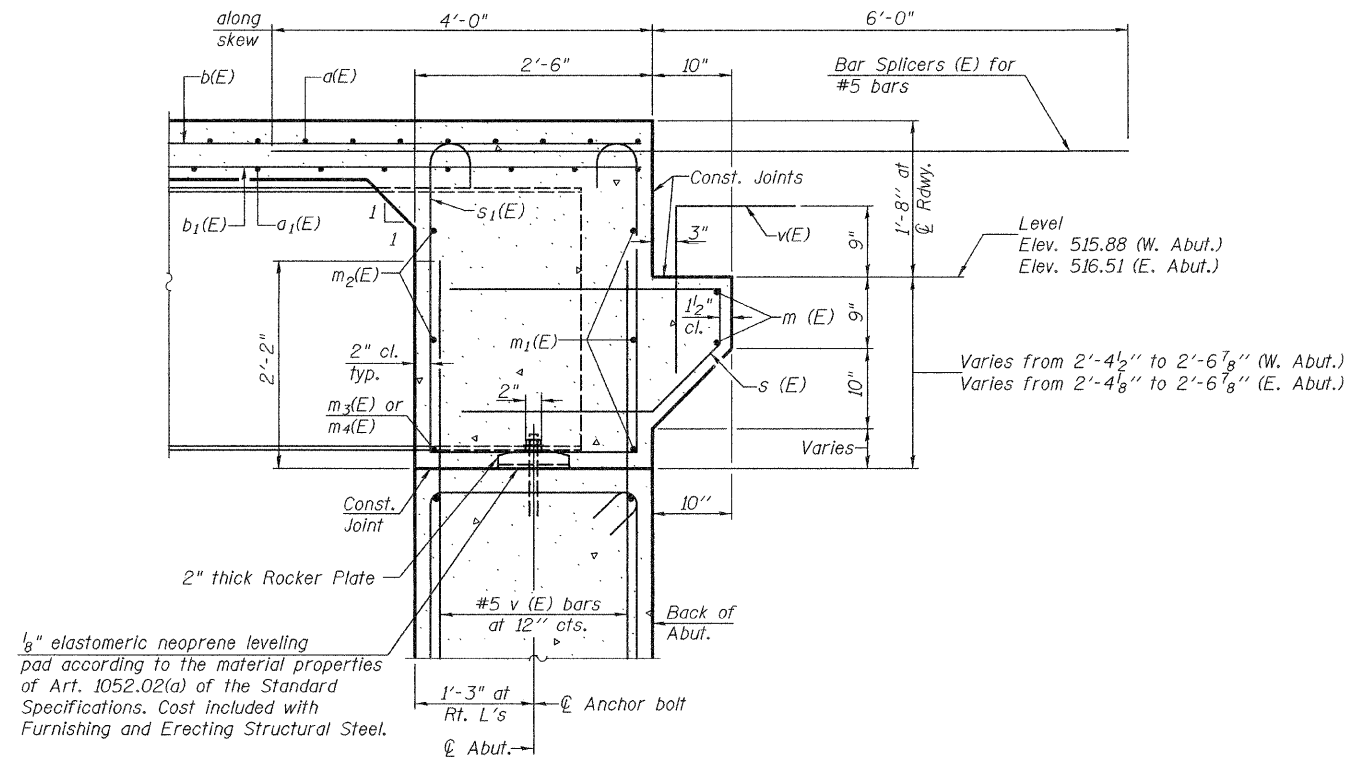
DIAPHRAGM ELEVATION AT ABUTMENT

Notes:

Reinforcement bars in diaphragm are billed with superstructure on sheet 10 of 20.
Concrete in diaphragm is included with Concrete Superstructure on sheet 10 of 20.
For details of bars s(E) & s₁(E) see sheet 10 of 20.
The s(E) and s₁(E) bars shall be placed parallel to the beams. Spacing for these bars shall be at right angles to the beams.
See sheet 12 of 20 for holes thru web for m₂(E) bars.
For Bar Splicers (E) details, see sheet 16 of 20.

MIN. BAR LAP

#6 bar = 2'-7"



SECTION A-A

Dimensions at right angles to abutment, except as shown.

DESIGNED	Stephen M. Ryan
CHECKED	Michael D. Rolape
DRAWN	BECKY M. LEACH
CHECKED	SMR/MDR

January 22, 2008
EXAMINED *Thomas J. Domagala*
PASSED *Ralph E. Anderson*
ENGINEER OF BRIDGES AND STRUCTURES

SI-DS1

5-16-08

DIAPHRAGM DETAILS
F.A.P. ROUTE 761 - SECTION 104-BR-2
GREENE COUNTY
STATION 1123+58.50
STRUCTURE NO. 031-0042