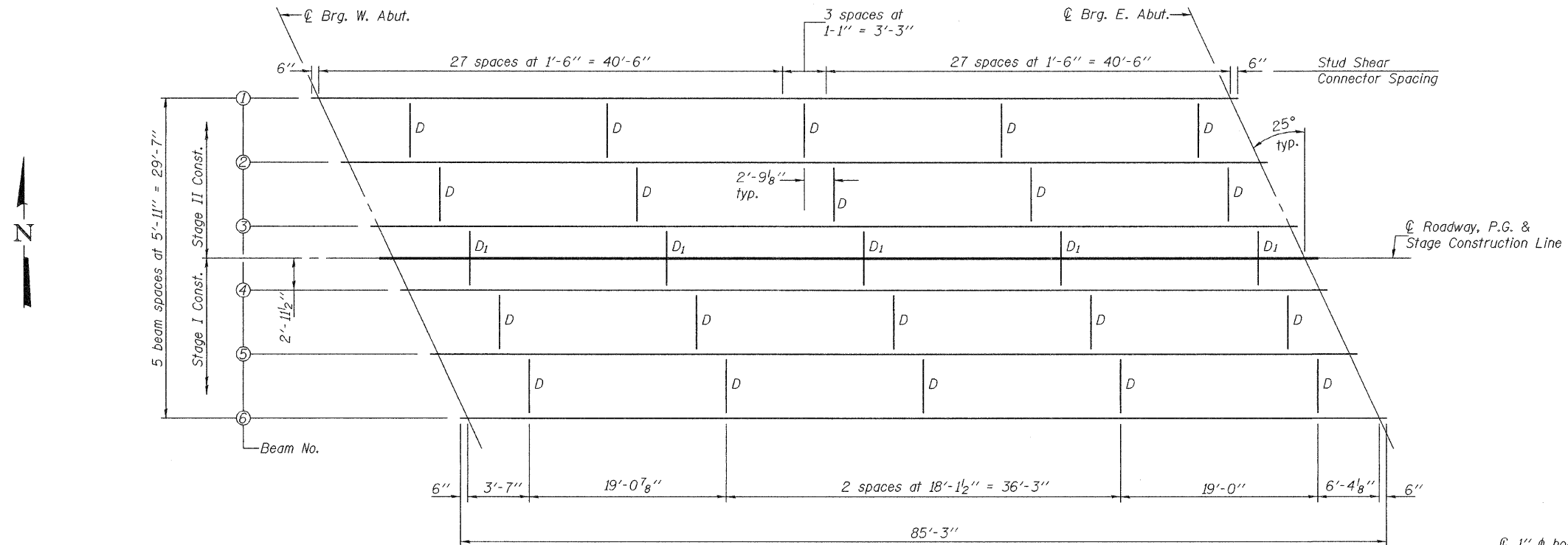


STATE OF ILLINOIS  
DEPARTMENT OF TRANSPORTATION

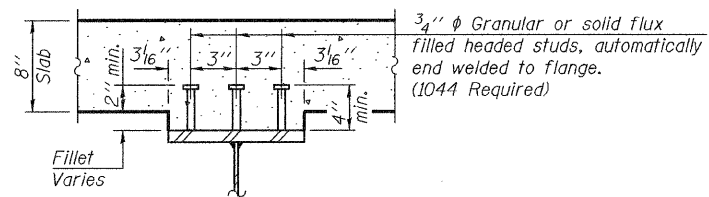
ROUTE NO.	SECTION	COUNTY	TOTAL SHEETS	SHEET NO.	SHEET NO. 12 20 SHEETS
FAP 761	104-BR-2	GREENE	82	61	
FED. ROAD DIST. NO. 7	ILLINOIS		FED. AID PROJECT		

Contract #76987

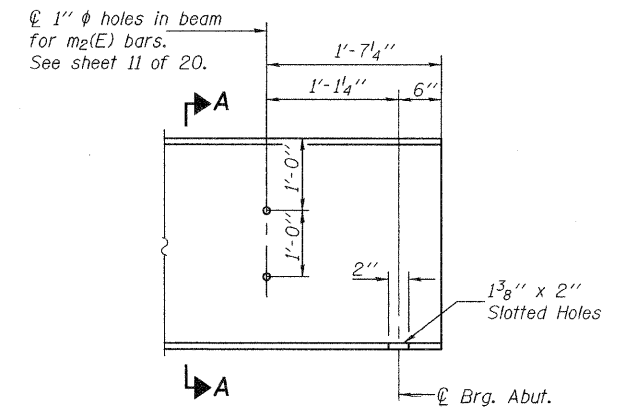


**FRAMING PLAN**

(All Beams are W36x210, NTR, and AASHTO M270 Grade 50W.)



**SECTION A-A**



**END OF BEAM ELEVATION**

DESIGNED	Stephen M. Ryan
CHECKED	Michael D. Rolape
DRAWN	BECKY M. LEACH
CHECKED	SMR/MDR

January 22, 2008  
EXAMINED *Thomas J. Domagalicki*  
ENGINEER OF BRIDGE DESIGN  
PASSED *Ralph E. Anderson*  
ENGINEER OF BRIDGES AND STRUCTURES

Note:  
All diaphragms shall be installed as steel is erected and secured with erection pins and bolts.

**STRUCTURAL STEEL**  
**F.A.P. ROUTE 761 - SECTION 104-BR-2**  
**GREENE COUNTY**  
**STATION 1123+58.50**  
**STRUCTURE NO. 031-0042**