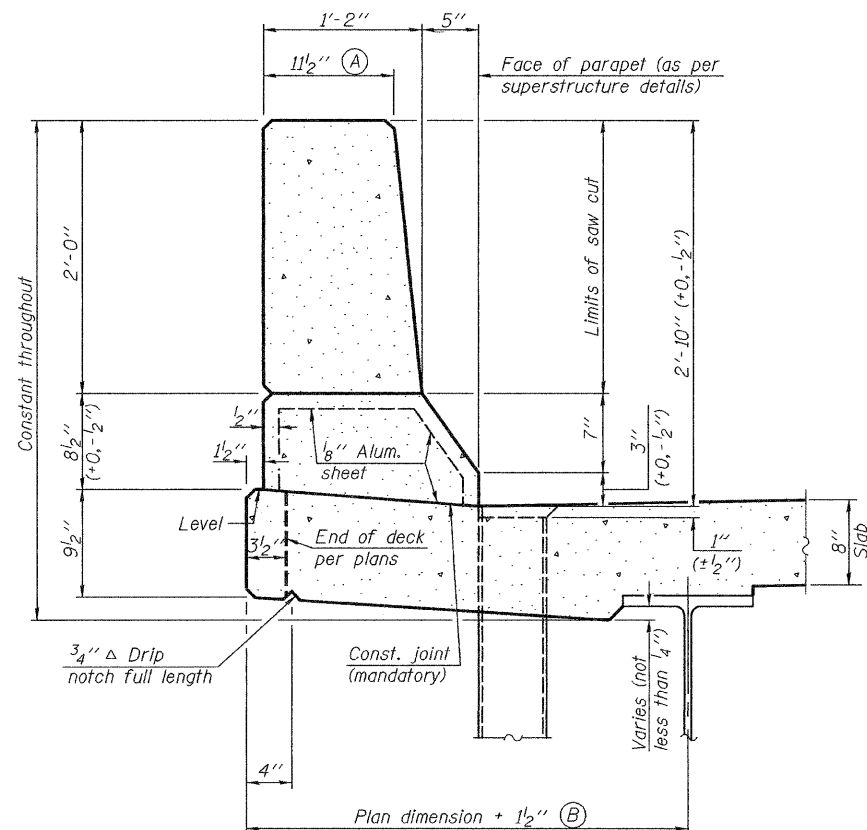


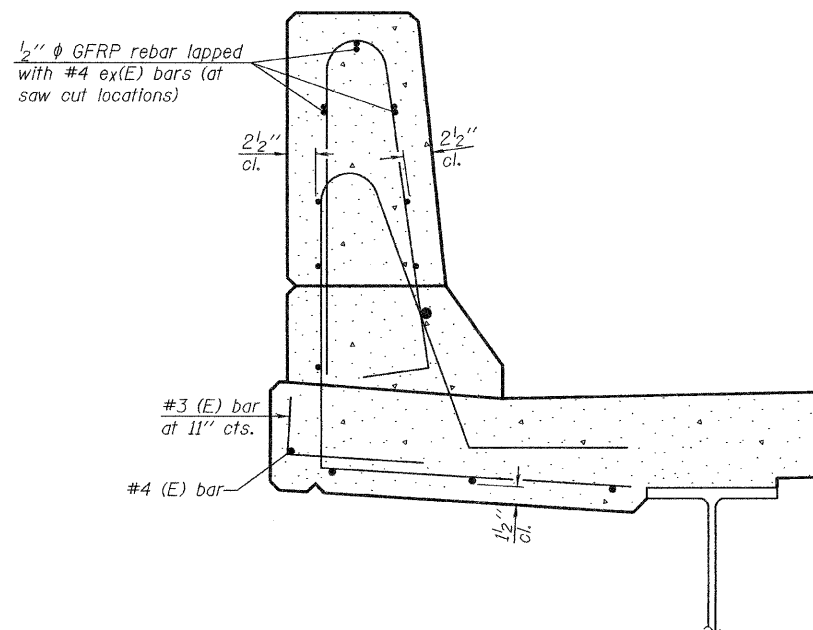
STATE OF ILLINOIS  
DEPARTMENT OF TRANSPORTATION

ROUTE NO.	SECTION	COUNTY	TOTAL SHEETS	SHEET NO.	SHEET NO. 17 20 SHEETS
FAP 761	104-BR-2	GREENE	82	66	
FED. ROAD DIST. NO. 7	ILLINOIS	FED. AID PROJECT			

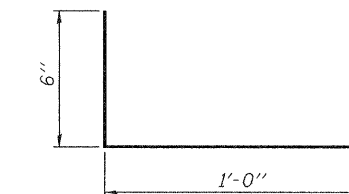
Contract #76987



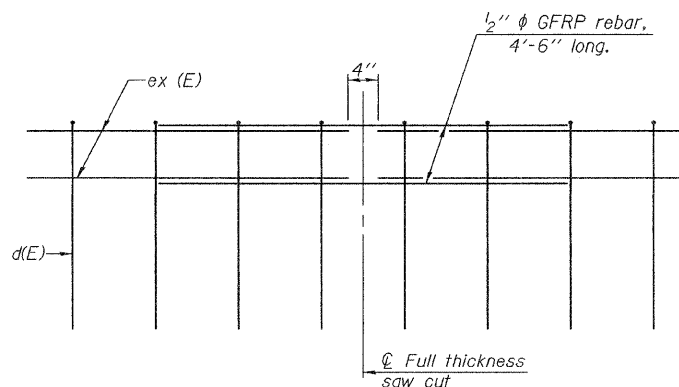
**SECTION**  
(Showing dimensions)



**SECTION**  
(Showing reinforcement clearances for slip forming and additional reinforcement bars)



**#3 (E) BAR**



**GFRP REBAR STIFFENING DETAIL**  
(Place as shown in parapet section at each parapet joint location.)

**CONCRETE PARAPET SLIPFORMING OPTION**  
**F.A.P. ROUTE 761 - SECTION 104-BR-2**  
**GREENE COUNTY**  
**STATION 1123+58.50**  
**STRUCTURE NO. 031-0042**

DESIGNED	Stephen M. Ryan
CHECKED	Michael D. Rolape
DRAWN	BECKY M. LEACH
CHECKED	SMR/MDR

EXAMINED	Thomas J. Damagala PRINCIPAL ENGINEER OF STRUCTURE DESIGN	January 22, 2008
PASSED	Ralph E. Anderson ENGINEER OF BRIDGES AND STRUCTURES	

SFP-34 5-16-08