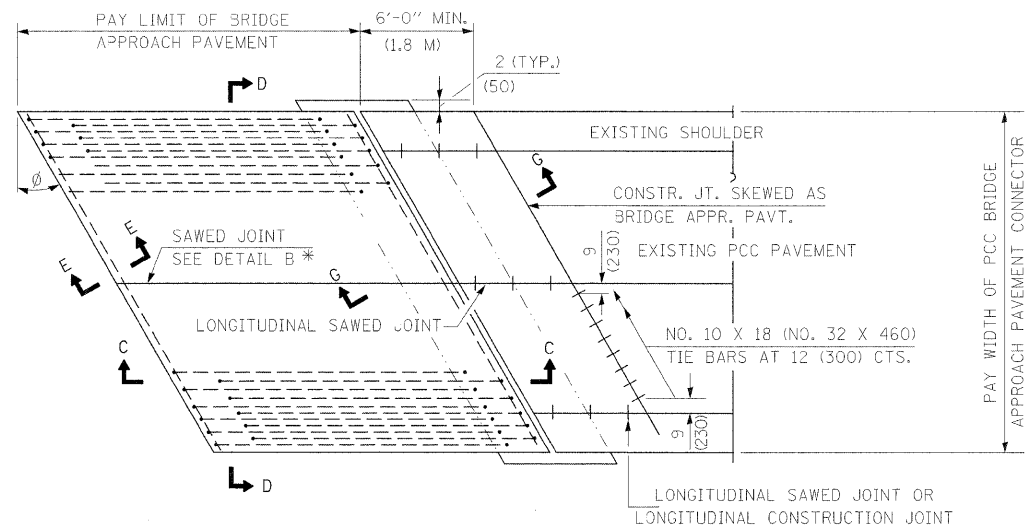
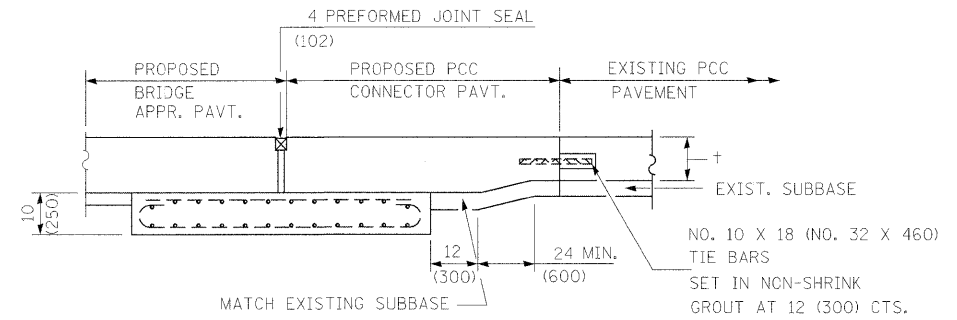


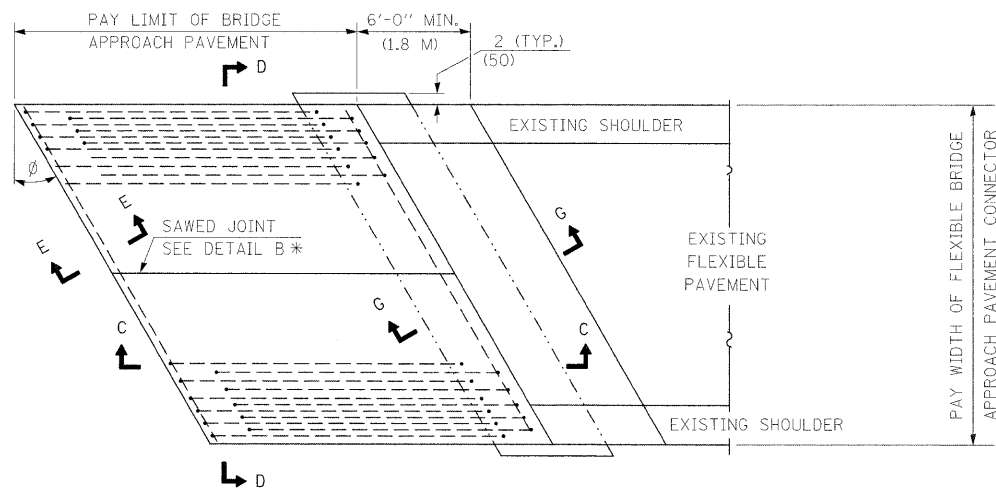
EXISTING CONSTRUCTION



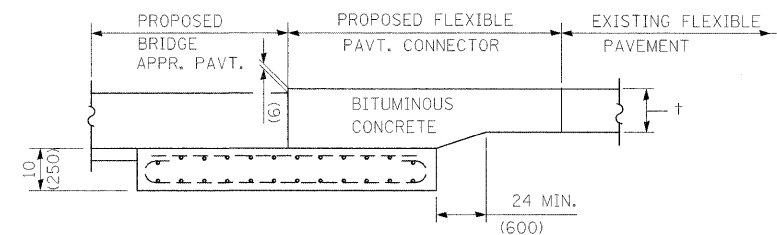
BRIDGE APPROACH PAVEMENT CONNECTOR (PCC)



SECTION G-G - RIGID PAVEMENT



BRIDGE APPROACH PAVEMENT CONNECTOR (FLEXIBLE)



SECTION G-G - FLEXIBLE PAVEMENT

FILE NAME =	USER NAME = harbaughrd	DESIGNED -	REVISED -	<b>STATE OF ILLINOIS DEPARTMENT OF TRANSPORTATION</b>	<b>MISCELLANEOUS DETAILS BRIDGE APPROACH PAVEMENT DETAIL</b>		F.A.P. RTE.	SECTION	COUNTY	TOTAL SHEETS	SHEET NO.
est\work\pwsdot\harbaughrd\dms51889\p	h01566a.dgn	DRAWN -	REVISED -		761	104-BR-2	GREENE	82	75		
PLOT SCALE = 50.0000' / IN.		CHECKED -	REVISED -		CONTRACT NO. 76987						
PLOT DATE = 12/18/2008		DATE -	REVISED -		SCALE:	SHEET NO. 2 OF 4 SHEETS	STA.	TO STA.	FED. ROAD DIST. NO.	ILLINOIS FED. AID PROJECT	